

承认书



SPECIFICATION FOR APPROVAL Switching power Supply / 开关电源

客户:

CUSTOMER: _____

产品描述:

DESCRIPTION: Input:100~240V AC 50/60Hz Output: 5VDC3A

机种型号:

OUR MODEL NO: QX30W050300FG

样品编号:

日期:

SAMPLE NO: QX2014000474

DATE: 2014-05-14

产品颜色:

SAMPLE COLOR: Black White

符合环保项: RoHS

| APPROVAL SIGNATURE/客户确认 | | |
|-------------------------|----------------|----------------|
| 核准/APPROVED BY | 审核/CHECKED BY | 检测/TESTED BY |
| | | |
| Manufacturer/制造商 | | |
| 业务/SALES | 核准/APPROVED BY | 设计/DESIGNED BY |
| 杨录音 | | |

深圳市齐鑫电子有限公司

SHEN ZHEN QI XIN ELECTRONICS CO.,LTD

地址: 中国广东省深圳市宝安区福永镇重庆路新福工业园 A6 栋 3 楼

Add: Floor 3, Buiding A6, Xinfu Industrial Zone, Chongqing Road, Fuyong Town,
Baoan District, Shenzhen, China.

Tel: 0755-29609342 81443738 Fax: 0755-29776652

<http://www.szstos.com> E-mail: 业务部 sales@szstos.com 工程部 rd@szstos.com



深圳市齐鑫电子有限公司
SHEN ZHEN QI XIN ELECTRONICS CO., LTD

型号/Our model: QX30W050300FG

客户/Customer:

日期/Date:2014-05-14

样品编号/SAMPLE No: QX2014000474

| 版本目录/Rev. List | | | |
|----------------|------------|----------------|-----------|
| 版本/Rev. | 日期/Date | 描述/Description | 制订/Design |
| A0 | 2014-05-14 | 新版本/New Rev. | XXJ |
| | | | |
| | | | |
| | | | |
| | | | |

Table of contents

| | |
|--|-----|
| 1、描述/DESCRIPTION..... | 3 |
| 2、输入特性/INPUT CHARACTERISTICS..... | 3 |
| 3、输出特性/OUTPUT CHARACTERISTICS..... | 4-5 |
| 4、保护功能/PROTECTION FUNCTION..... | 5 |
| 5、环境要求/ENVIRONMENTAL REQUIREMET..... | 5~6 |
| 6、安全及 EMI 要求/SAFETY AND EMC REQUIREMENT..... | 6 |
| 7、结构参数/MECHANICAL REQUIREMENT..... | 7 |
| 8、线材/CORD..... | 8 |
| 9、铭牌附图/LABEL..... | 9 |
| 10、包装说明/PACKING..... | 10 |
| 11、测试报告/ELECTRICAL TEST REPORT..... | 11 |



深圳市齐鑫电子有限公司
SHEN ZHEN QI XIN ELECTRONICS CO., LTD

型号/Our model: QX30W050300FG

客户/Customer:

日期/Date:2014-05-14

样品编号/SAMPLE No: QX2014000474

1、描述/ DESCRIPTION:

本规格书适应于 QX30W050300FG 型号的开关电源.

The purpose of the document is to specify the functional requirements of a 15 W switching power supply.

2、输入特性/INPUT CHARACTERISTICS:

2.1 输入电压/Input Voltage:

额定电压/Rated Voltage:100~240Vac

调整范围/Variation Range:90-264Vac

2.2 输入频率/Input Frequency:

额定频率/ Rated Frequency: 50/60Hz.

调整频率/Variation Frequency:47-63Hz

2.3 输入电流/Input Current:

当输入交流电压为额定值的下限电压负载满载时,最大输入交流电流 **0.8A**.

0.8Amps max At any input voltage and rated, DC output rated load.

2.4 浪涌电流/Inrush Current:

当输出为额定负载,环境温度为 25℃,输入 240Vac 冷态起机时无损坏.

When the output of the rated load, the ambient temperature is 25℃, input from 240Vac cold machine without damage to

2.5 AC 漏电流/Ac Leakage Current:

当输入电压 240Vac 时,最大漏电流为 0.25mA.

0.25mA Max.At240Vac input.



3、输出特性/OUTPUT CHARACTERISTICS:

3.1 输出功率/Power output

| 电压 Voltage | 最小负载 Min. Load | 额定负载 Rated. Load | 峰值功率 Peak | 输出功率 Output power |
|---------------|-------------------|---------------------|--------------|----------------------|
| 5Vdc | 0.01A | 3A | | 15W |

3.2 负载特性,调整率/Combined Load/Line Regulation

| 电压 Voltage | 最小负载 Min. Load | 额定负载 Rated. Load | 线性调整 Line Regulation | 负载调整率 Load Regulation |
|---------------|-------------------|---------------------|-------------------------|--------------------------|
| 5Vdc | 0.01A | 3A | ±2% | ±5% |

3.3 纹波和噪音 Ripple and Noise:

测试条件:在输入 115/230Vac 和输出最小及最大负载时,使用示波器带宽为 20MHz 连接到适配器的输出端,同时输出端并联一个 47uF 的电解电容和一个 0.1uF 的瓷片电容.

At 115/230Vac input and output Min and Max.Load, the ripple and noise are as follows when measure with Max.Bandwidth of 20MHz and Parallel 47uF/0.1uF,crossed connected at testing point.

| | |
|----------------|-------------------------------|
| 电压 | 最大纹波/最大噪音 |
| <u>Voltage</u> | <u>Ripple and Noise(Max.)</u> |
| +5Vdc | 150mV p-p |

3.4 启动延迟时间/Turn on delay time:

当输入 115Vac 和输出最大负载时,最大启动时间为 3S.

2Seconds Max.at 115Vac input and output Max.load.

3.5 上升时间/Rise time:

当输入 115Vac 和输出最大负载时最大时间为 40 mS.

40 mS Max.at 115Vac input and output Max load.

3.6 保持时间/Hold up time:

当输入 115Vac 和输出最大负载时,最小保持时间为 5 mS .

5 mS Min.at 115Vac input and output Max.Load.

3.7 效率/Efficiency:

当 115/230Vac 输入电压时, 1/4, 1/2, 3/4 和满载计算平均效率, 最小 76.41%。

76.41% Min, At 115/230Vac input voltage,1/4, 1/2, 3/4 and full load calculation average efficiency.

适配器满足能效 V。

Adapter meet efficiency lever V。



3.8 过冲/Overshoot:

在电源开启或关闭的时候,最大 15%.

15% Max.When power supply at turn off/on.

4、保护功能/PROTECTION FUNCTION:

4.1 短路测试/Short circuit test:

该电源供给器在短路解除时能正常工作恢复.

The power supply will be auto recovered when short circuit faults remove.

4.2 过流保护/Over current Protection:

过流故障排除后,电源将自动恢复正常工作.

The power supply will be auto recovered when over current faults remove.

5、环境要求/ENVIRONMENTAL REQUIREMET:

5.1 工作温度/Operating Temperature:

0°C-40°C,满载,正常工作.

0°C to 40°C,Full load, Normal operation.

5.2 储藏温度/Storage Temperature:-20°C to 80°C

带外壳/With package

5.3 工作湿度/Relative Humidity:

5%(0°C)~90%(40°C),72 小时,满载,正常工作.

5%(0°C)~90%(40°C)RH,72Hrs,Full load, Normal operating.

5.4 振动/Vibration:

1. 测试标准:国际电工电子委员会

Operating: IEC 721-3-3 3M3

5~9Hz,A=1.5mm

加速度(9~200Hz,Acceleration 5m/S²)

2. 运输/Transportation:

IEC 721-3-2 2M2

5-9Hz,A=3.5mm

9~200Hz,加速度 Acceleration=5m/S²

200~500Hz,加速度 Acceleration=15m/S²



深圳市齐鑫电子有限公司
SHEN ZHEN QI XIN ELECTRONICS CO., LTD

型号/Our model: QX30W050300FG

客户/Customer:

日期/Date:2014-05-14

样品编号/SAMPLE No: QX2014000474

3. 轴向振动/Axes,10 cycles per axis.

在测试过程中不能出现永久性的损坏.

No permanent damage may occur during testing.

在电源开启和关闭后,样机能够恢复到最初条件.

The SAMPLE has to restore to its original situation after power off/on..

5.5 跌落试验/Dropping Packed:

跌落高度为 760mm;

Drop the height is760mm;

测试台面是厚 13mm 的夹木板, 离地面高 19-20mm

The horizontal surface consists of hardwood at least 13mm thick, mounted on two layers of plywood each 19mm to 20mm thick,all supported on a concrete or equivalent non-resilient floor.

6、安全及 EMI 要求/SAFETY AND EMI REQUIREMENT:

6.1 安全:符合标准: EN60065

Safety:accord with EN60065

6.2 高压/DIELECTRIC STRENGTH Hi-Pot:

初级对次级/Primary to secondary: 3000Vac/10mA/60S or 4242Vdc/5mA/60S for type test.

6.3 绝缘阻抗/Insulation resistance:

初级对次级/Primary to secondary:20M Ω min at 500V DC.

6.4 EMI 标准/EMI STANDARD

Meets the Limits of/测试符合

<1>.Fcc part15 class B rules

<2>.EN55022 class B rules

<3>.GB9254-1998,GB17625.1-2003

<4>.AS/NZS CISPR22:2006.



深圳市齐鑫电子有限公司
SHEN ZHEN QI XIN ELECTRONICS CO., LTD

型号/Our model: QX30W050300FG

客户/Customer:

日期/Date:2014-05-14

样品编号/SAMPLE No: QX2014000474

7、 结构参数/MECHANICAL REQUIREMENT:

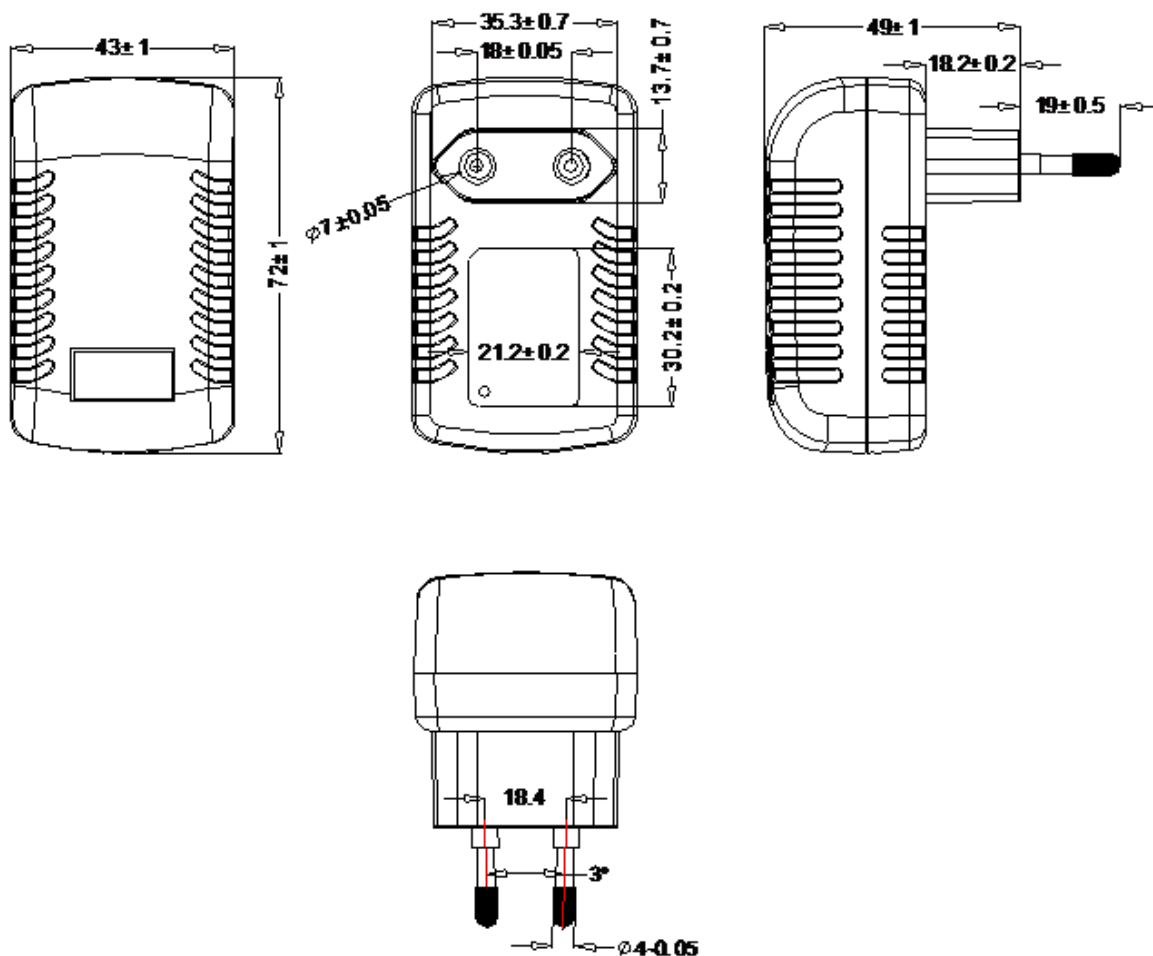
7.1 外壳/Enclosure:

The power supply size: L72x W43x H49mm;

外壳尺寸: L72x W43x H49mm;

7.2 输入线/Input Connector:

2 Pin EU 插脚/Two pin input plug of EU.



深圳市齐鑫电子有限公司
SHEN ZHEN QI XIN ELECTRONICS CO., LTD

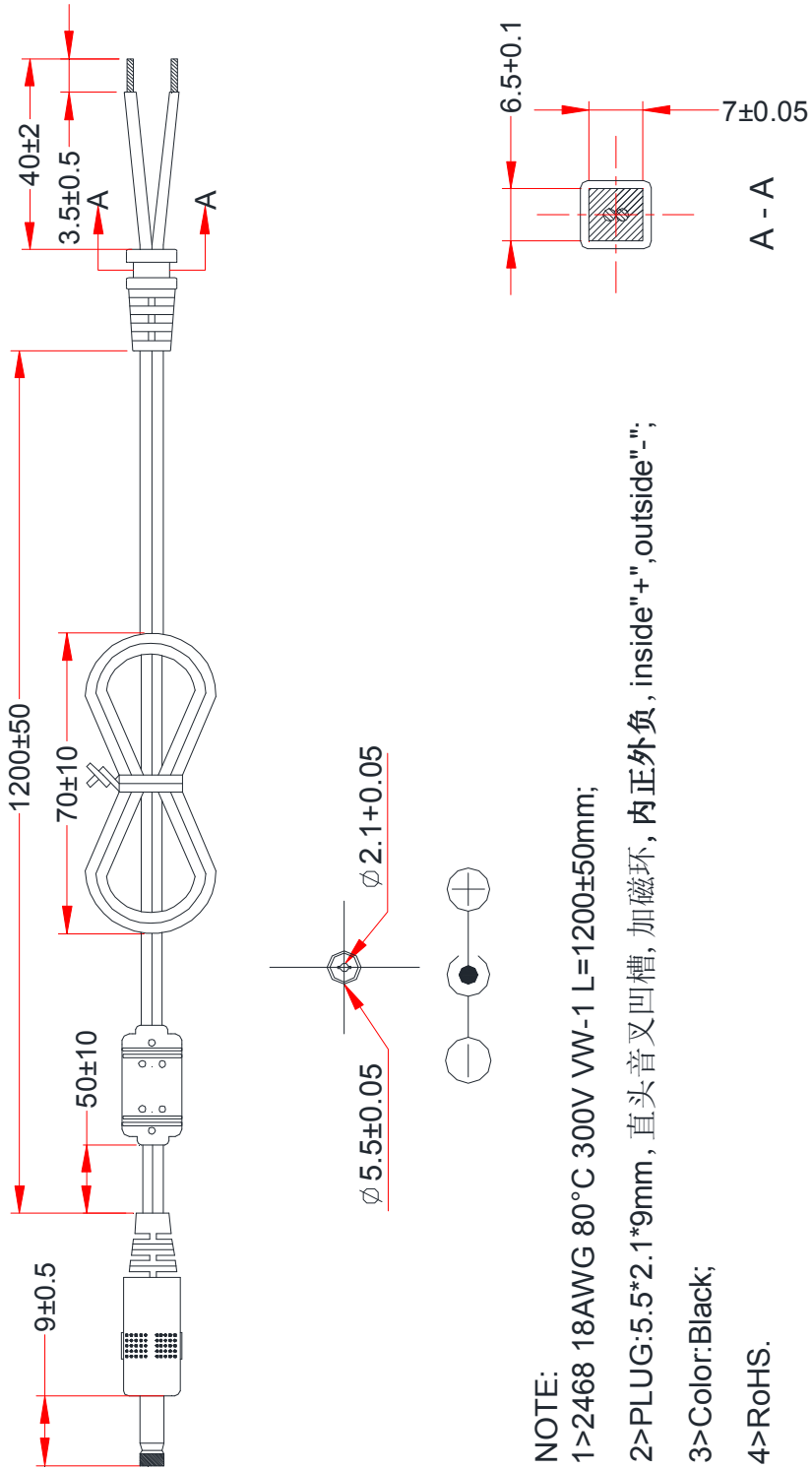
型号/Our model: QX18W050300FU

客户/Customer:

日期/Date:2014-5-14

样品编号/SAMPLE No: QX2014000474

8、线材/CORD:





深圳市齐鑫电子有限公司
SHEN ZHEN QI XIN ELECTRONICS CO., LTD

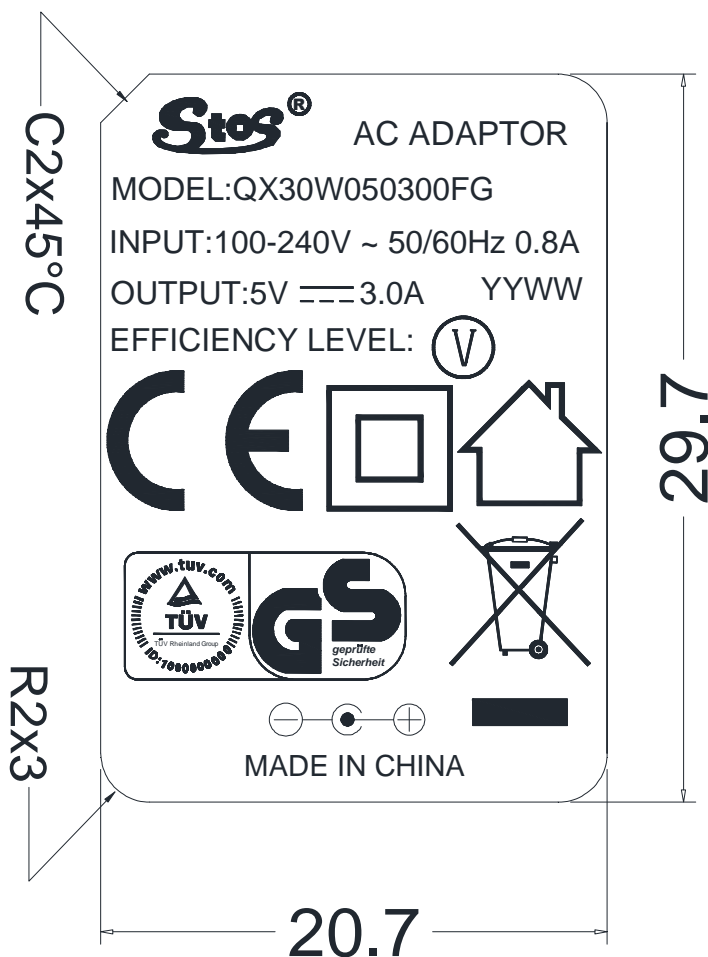
型号/Our model: QX30W050300FG

客户/Customer:

日期/Date:2014-05-14

样品编号/SAMPLE No: QX2014000474

9、铭牌/LABEL:



NOTE:

- 1.颜色/Color:黑底白字/ Black ground white
- 2.材质/Material:PET+雾面/fog surface
- 3.厚度/Thickness:0.20mm
- 4.误差/Toilerance:+0/-0.2mm
- 5.环保/RoHS
- 6.YYWW,YY 表示年份,WW 表示周数



深圳市齐鑫电子有限公司
SHEN ZHEN QI XIN ELECTRONICS CO., LTD

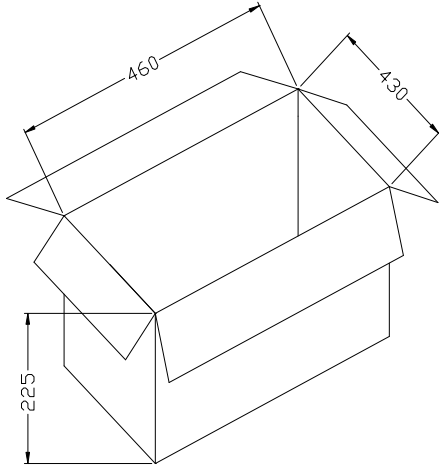
型号/Our model: QX30W050300FG

客户/Customer:

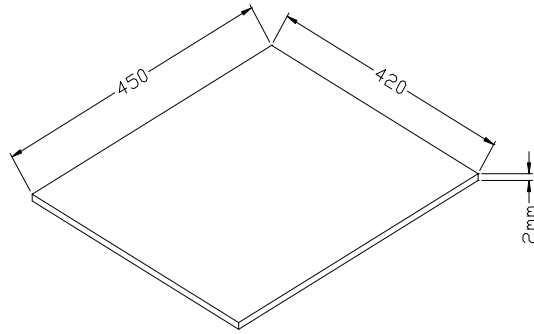
日期/Date:2014-05-14

样品编号/SAMPLE No: QX2014000474

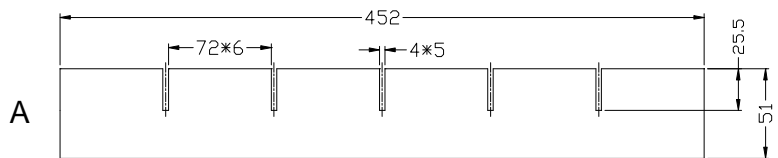
10、包装说明/PACKING:



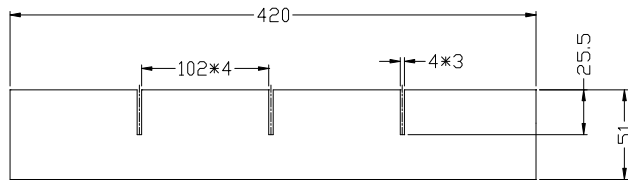
外箱/Outside box



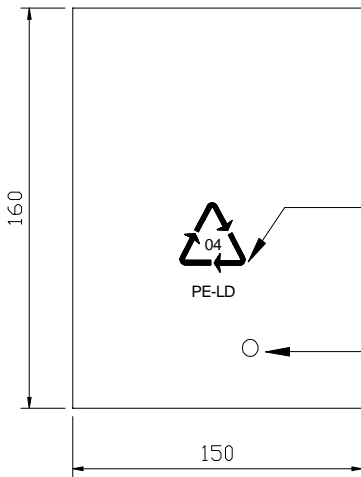
平板/Slab



A



B



绿色字体/
Green lettering

透气孔
Breathe freely os

包材/Packaging:

A:L452*51mm

B:420*51mm

外箱内径/Outside box:L460*W430*H225mm

平板/Slab:L450*W420*2mmT

胶袋/Pe bag:L160*W150*0.03mmT

数量/Quantity:96PCS/CTN



深圳市齐鑫电子有限公司
SHEN ZHEN QI XIN ELECTRONICS CO., LTD

型号/Our model: QX30W050300FG

客户/Customer:

日期/Date:2014-05-14

样品编号/SAMPLE No: QX2014000474

11、测试报告/ELECTRICAL TEST REPORT:

| No 序号 | Test item 测试项目 | Test condition 测试条件 | Standard spec 标准规格 | Test data 测试数据 | | | | | Unit 单位 | Judge 判定 Pass/ Fail |
|--------------|-------------------------------|---|---|-------------------|-------|---|---|---|------------|------------------------------|
| | | | | 1 | 2 | 3 | 4 | 5 | | |
| 1 | Output Voltage 输出电压 | Vin100Vac 60Hz Io=0 输入 100Vac 空载 | 5±5%V | 5.17 | 5.16 | | | | V | Pass |
| 2 | Output Voltage 输出电压 | Vin100Vac 60Hz Io=Rated Current 输入 100Vac 60Hz 负载 | 5±5%V | 4.83 | 4.82 | | | | V | Pass |
| 3 | Average Efficiency 平均效率 | Vin 115Vac 60Hz 输入 115Vac 60Hz | 76.41% | 76.80 | 76.91 | | | | % | Pass |
| 4 | Ripple&Noise mVp-p 纹波&杂讯 | Vin100Vac 60Hz Full load 输入 100Vac 60Hz 满载 | 150mVp-p | 50 | 50 | | | | mVp-p | Pass |
| 5 | Line Regulation 线性调整率 | Vin=100V~240V Io=Rated Current 额定电流 | ±2% | OK | OK | | | | | Pass |
| 6 | Standby Power 待机功耗 | Vin 115Vac 60Hz Io=0 输入 115Vac 60Hz | 0.3W max | 0.11 | 0.10 | | | | W | Pass |
| 7 | Short circuit test 短路测试 | Vin100Vac 60Hz 输入 100Vac 空载 | No odor smoke fire plastic deformation and excessive heat happen. 无冒烟,起火,外壳变 形及过热现象 | OK | OK | | | | | Pass |
| 8 | OCP 过电流保护 | Vin100Vac 60Hz 输入 100Vac | 4AMax | 3.54 | 3.46 | | | | A | Pass |
| 9 | Output Voltage 输出电压 | Vin240Vac 50Hz Io=0 输入 240Vac 空载 | 5±5%V | 5.17 | 5.16 | | | | V | Pass |
| 10 | Output Voltage 输出电压 | Vin240Vac 60Hz Io=Rated Current 输入 240Vac 60Hz 负载 | 5±5%V | 4.83 | 4.81 | | | | V | Pass |
| 11 | Average Efficiency 平均效率 | Vin230Vac 50Hz 输入 230Vac 50Hz | 76.41% | 76.52 | 76.62 | | | | % | Pass |
| 12 | Ripple & Noise mVp-p 纹波&杂讯 | Vin240Vac 50Hz Full load 输入 240Vac 50Hz 额定电流 | 150mVp-p | 50 | 50 | | | | mVp-p | Pass |
| 13 | Line Regulation 线性调整率 | Vin=100V~240V Io=Rated Current 输入 100V~240V | ±2% | OK | OK | | | | | Pass |
| 14 | Standby Power 待机功耗 | Vin230Vac 50Hz Io=0 输入 230V 50Hz | 0.3W max | 0.22 | 0.22 | | | | | Pass |
| 15 | Short circuit test 短路测试 | Vin240Vac 50Hz 输入 240Vac 50Hz | No odor smoke fire plastic deformation and excessive heat happen. 无冒烟,起火,外壳变 形及过热现象 | OK | OK | | | | | Pass |
| 16 | OCP 过电流保护 | Vin230Vac 50Hz 输入 230Vac 50Hz | 4AMax | 4.06 | 3.85 | | | | A | Pass |
| 17 | Hi-pot test 高压测试 | 高压/DIELECTRIC STRENGTH Hi-Pot: 初级对次级 /Primary to secondary:4242Vdc/5mA/60S for type test | | OK | OK | | | | | Pass |
| 18 | Burn in 老化 | Input:220Vac/50Hz Full Load 4hrs 输入 220Vac/50Hz 满载 4 小时 | | OK | OK | | | | | Pass |
| 19 | Drop test 跌落 | Heigh:1m Three*faces(once on each plane) 高 1 米,3 个面,每面 1 次. | | OK | OK | | | | | Pass |
| REMARK 备注 | | | | | | | | | | |

Zertifikat

Certificate



Zertifikat Nr. *Certificate No.*
S1 50221942

Blatt *Page*
0001

| Ihr Zeichen <i>Client Reference</i> | Unser Zeichen <i>Our Reference</i> | Längstens gültig bis <i>Latest expiration date</i> |
|-------------------------------------|------------------------------------|--|
| 173063843 | 05-JQL- 16037676 001 | 08.02.2017 (day/mo/yr) |

Genehmigungsinhaber *License Holder*

SHENZHEN QI XIN ELECTRONICS
CO., LTD

North 3F, Bldg. A6, Xinfu Ind. Zone
Chongqing Rd., Fuyong Ind.
Thoroughfare, Fuyong St., Baoan Dist.
Shenzhen, Guangdong 518013
P.R. China

Fertigungsstätte *Manufacturing Plant*

SHENZHEN QI XIN ELECTRONICS
CO., LTD

North 3F, Bldg. A6, Xinfu Ind. Zone
Chongqing Rd., Fuyong Ind.
Thoroughfare, Fuyong St., Baoan Dist.
Shenzhen, Guangdong 518013
P.R. China

Prüfzeichen *Test Mark*



Geprüft nach *Tested acc. to*

EN 60065:2002+A1+A11+A2+A12
ZEK 01.2-08/12.08

Der Anhang I der Richtlinie 2006/95/EG ist eingehalten. Das Zertifikat kann im Rahmen der Konformitätserklärung nach Anhang III verwendet werden.
Annex I of the directive 2006/95/EC is complied with. The certificate can be used in connection with the EC declaration of conformity acc. to Annex III.

Zertifiziertes Produkt (Geräteidentifikation)
Certified Product (Product Identification)

Lizenzentgelte - Einheit
License Fee - Unit

Netzgerät (AC Adaptor)

Serienbezeichnung : Nenneingangswerte 15
(Series Type Designation) (Rated Input)

QX30WxyFu AC 100-240V, 50/60Hz, 0,8A

QX30WxyHu AC 200-240V, 50/60Hz, 0,8A

x = 050-240; Dreistellige Zahl, welche die Ausgangsspannung
in Volt nach Teilung der Zahl durch 10 angibt.
(Are 3 numerical digits, which represent
the output voltage in Volt after dividing by 10)

y = Dreistellige Zahl, welche den Ausgangsstrom
in A nach Teilung der Zahl durch 100 angibt.
(Are 3 numerical digits, which represent the
output current in A after dividing by 100)

QX30WxyFu, u= G/ blank; QX30WxyHu, u= G.

Schutzklasse (Protection Class) : II

max. Umgebungstemperatur (max. Ambient Temperature) : 40°C

Fortsetzung auf Blatt 0002 (Continuation on page 0002)

15

ANLAGE (Appendix): 1

Dem Zertifikat liegt unsere Prüf- und Zertifizierungsordnung zugrunde.
Produkt und Fertigungsstätte erfüllen § 20 und § 21 des
Produktsicherheitsgesetzes.
*This certificate is based on our Testing and Certification Regulation.
Product and production fulfill par § 20 and § 21 of the
Product Safety Law.*

TÜV Rheinland LGA Products GmbH - Tillystraße 2 - 90431 Nürnberg
Tel.: (+49/221)8 06 - 13 71 e-mail: cert-validity@de.tuv.com
Fax: (+49/221)8 06 - 39 35 http://www.tuv.com/safety

Zertifizierungsstelle



Dipl.-Ing. (FH) T. Zimmer

Ausstellungsdatum *Date of Issue* : 09.02.2012 (day/mo/yr)

Zertifikat

Certificate



Zertifikat Nr. *Certificate No.*
S1 50221942

Blatt *Page*
0002

| | | |
|--|---|---|
| Ihr Zeichen <i>Client Reference</i> | Unser Zeichen <i>Our Reference</i> | Längstens gültig bis <i>Latest expiration date</i> |
| 173063843 | 05-JQL- 16037676 001 | 08.02.2017 (day/mo/yr) |

Genehmigungsinhaber *License Holder*

SHENZHEN QI XIN ELECTRONICS
CO., LTD

North 3F, Bldg. A6, Xinfu Ind. Zone
Chongqing Rd., Fuyong Ind.
Thoroughfare, Fuyong St., Baoan Dist.
Shenzhen, Guangdong 518013
P.R. China

Fertigungsstätte *Manufacturing Plant*

SHENZHEN QI XIN ELECTRONICS
CO., LTD

North 3F, Bldg. A6, Xinfu Ind. Zone
Chongqing Rd., Fuyong Ind.
Thoroughfare, Fuyong St., Baoan Dist.
Shenzhen, Guangdong 518013
P.R. China

Prüfzeichen *Test Mark*



Geprüft nach *Tested acc. to*

EN 60065:2002+A1+A11+A2+A12
ZEK 01.2-08/12.08

Der Anhang I der Richtlinie 2006/95/EG ist eingehalten. Das Zertifikat kann im Rahmen der Konformitätserklärung nach Anhang III verwendet werden.
Annex I of the directive 2006/95/EC is complied with. The certificate can be used in connection with the EC declaration of conformity acc. to Annex III.

Zertifiziertes Produkt (Geräteidentifikation)
Certified Product (Product Identification)

Lizenzentgelte - Einheit
License Fee - Unit

Netzgerät (AC Adaptor)

| wie Blatt (as page) | 01 | Fortsetzung (Continuation) |
|--------------------------------------|-----------------------------------|------------------------------------|
| Ausgangsspannung (Output Voltage) | Ausgangsstrom (Output Current) | Ausgangsleistung (Output Power) |
| DC (V) | A | Max. (W) |
| 5,0 | 0,01-4,00 | 20 |
| 5,1-5,3 | 0,01-3,90 | 20,7 |
| 5,4-6,0 | 0,01-3,88 | 21 |
| 6,1-7,4 | 0,01-3,50 | 22,5 |
| 7,5-7,9 | 0,01-3,00 | 23,7 |
| 8,0-11,9 | 0,01-3,00 | 27 |
| 12,0-15,0 | 0,01-2,50 | 30 |
| 15,1-24,0 | 0,01-1,50 | 30 |

Vermerk: Ausgangsspannung und strom haben Werte mit der Schrittweite 0,1V bzw. 0,01A. Nach Multiplikation beider Werte sind Modellbezeichnungen limitiert durch die max. Ausgangsleistung.

(Remark: Output voltage and current have values in steps of 0,1V resp. 0,01A. By multiplication of both values the type designations are limited through the max.output power.)

Dem Zertifikat liegt unsere Prüf- und Zertifizierungsordnung zugrunde.
Produkt und Fertigungsstätte erfüllen § 20 und § 21 des Produktsicherheitsgesetzes.
*This certificate is based on our Testing and Certification Regulation.
Product and production fulfill par § 20 and § 21 of the Product Safety Law.*

TÜV Rheinland LGA Products GmbH - Tillystraße 2 - 90431 Nürnberg
Tel.: (+49/221)8 06 - 13 71 e-mail: cert-validity@de.tuv.com
Fax: (+49/221)8 06 - 39 35 http://www.tuv.com/safety

Zertifizierungsstelle



Dipl.-Ing. (FH) T. Zimmer

Ausstellungsdatum *Date of Issue* : 09.02.2012 (day/mo/yr)

C E R T I F I C A T E



of Conformity
Low Voltage Directive 2006/95/EC

Registration No.: AN 50221947 0001

Report No.: 16037676 001

Holder: SHENZHEN QI XIN ELECTRONICS
CO., LTD
North 3F, Bldg. A6, Xinfu Ind. Zone
Chongqing Rd., Fuyong Ind.
Thoroughfare, Fuyong St., Baoan Dist.
Shenzhen, Guangdong 518013
P.R. China

Product: Power Supply
(AC Adaptor)

Identification: Type Designation : QX30WxyFu, QX30WxyHu
For a detailed listing of the variables x, y, u refer to
license S1 50221942 0001-0002.

Serial No.: n.a.
(Issued in conjunction with above TÜV Rheinland license.)

This certificate of conformity is based on an evaluation of a sample of the above mentioned product. Technical Report and documentation are at the Licence Holder's disposal. This is to certify that the tested sample is in conformity with all revision of Annex I of Council Directive 2006/95/EC, in its latest amended version, referred to as the Low Voltage Directive. This certificate does not imply assessment of the series-production of the product and does not permit the use of a TÜV Rheinland mark of conformity. The holder of the certificate is authorized to use this certificate in connection with the EC declaration of conformity according to Annex III of the Directive.

Certification Body



Date 09.02.2012

Dipl.-Ing. (FH) T. Zimmer

TÜV Rheinland LGA Products GmbH - Tillystraße 2 - 90431 Nürnberg

CE The CE marking may be used if all relevant and effective EC Directives are complied with. CE

C E R T I F I C A T E

of Conformity

EC Council Directive 2004/108/EC

Electromagnetic Compatibility



Registration No.: AE 50222368 0001

Report No.: 16037679 001

Holder:

SHENZHEN QI XIN ELECTRONICS
CO., LTD
North 3F, Bldg. A6, Xinfu Ind. Zone
Chongqing Rd., Fuyong Ind.
Thoroughfare, Fuyong St., Baoan Dist.
Shenzhen, Guangdong 518013
P.R. China

Product:

Power Supply
(AC Adaptor)

Identification:

QX30Wxyzu
(x, y, z, u are variables, details refer to report
16037679 001)

Serial No.: n.a.

Remark : Refer to test report 16037679 001 for details.

Tested acc. to:

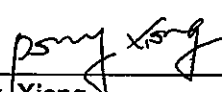
EN 55013:2001+A1+A2
EN 55020:2007
EN 61000-3-2:2006+A1+A2
EN 61000-3-3:2008

This certificate of conformity is based on an evaluation of a sample of the above mentioned product. Technical Report and documentation are at the Licence Holder's disposal. This is to certify that the tested sample is in conformity with all provisions of Annex I of Council Directive 2004/108/EC. This certificate does not imply assessment of the production of the product and does not permit the use of a TÜV Rheinland mark of conformity. The holder of the certificate is authorized to use this certificate in connection with the EC declaration of conformity according to the a.m. Directive.



Certification Body

Date 20.02.2012


Pony Xiong

TÜV Rheinland LGA Products GmbH - Tillystraße 2 - 90431 Nürnberg

CE The CE marking may only be used if all relevant and effective EC Directives are complied with. CE