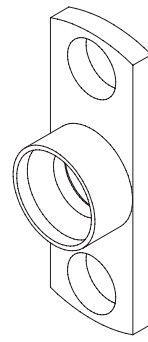
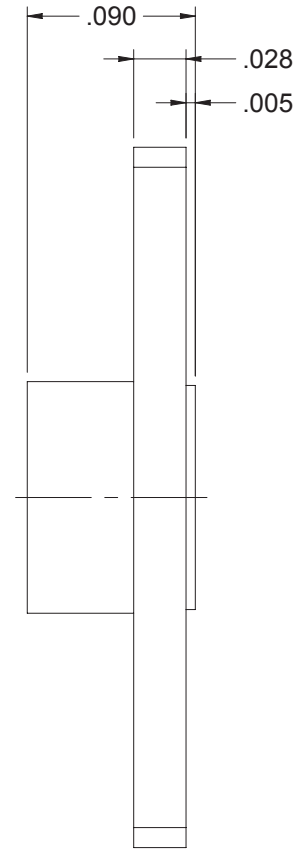
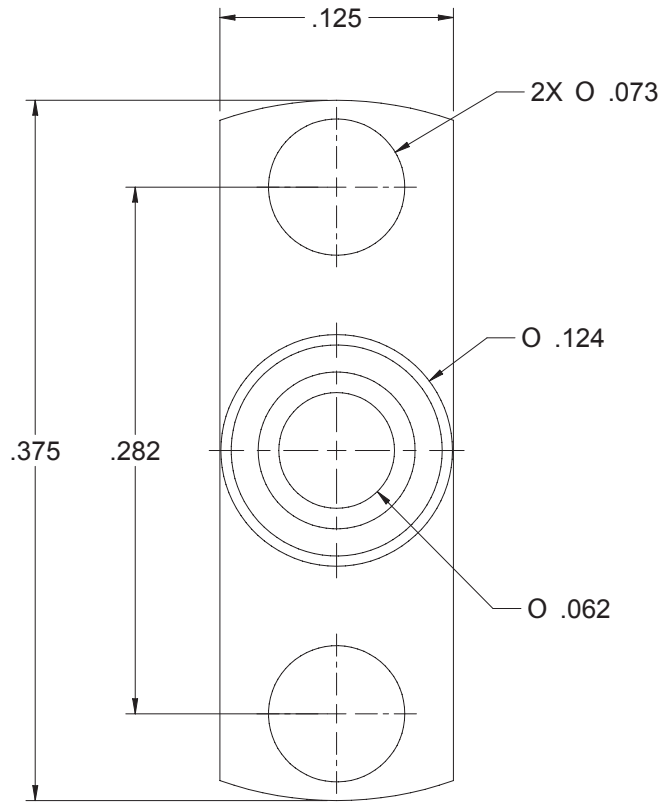


| | | |
|--------------|-----------------|------------|
| PART NUMBER | MATERIAL | FINISH |
| 125-0701-602 | STAINLESS STEEL | PASSIVATED |

| | |
|-------------------|------------------|
| DRAWING NO. | |
| 125-0701-602-CUST | |
| REVISIONS | |
| 01 | RELEASE |
| 07-27-13 | T T R L T S M |
| ECO-13-0205 | |



10:1

SPECIFICATION:

IMPEDANCE: 50 OHMS
 FREQUENCY RANGE: 0-40 GHz
 VSWR: DEPENDANT ON APPLICATION
 DIELECTRIC WITHSTANDING VOLTAGE: 325 VRMS MIN AT SEA LEVEL
 INSULATION RESISTANCE: 5000 MEGOHM MIN
 CONTACT RESISTANCE:
 CENTER CONTACT - INITIAL 6 MILLIOHM MAX, AFTER ENVIRONMENTAL NOT APPLICABLE
 OUTER CONDUCTOR - INITIAL 2 MILLIOHM MAX, AFTER ENVIRONMENTAL NOT APPLICABLE
 RF LEAKAGE: NOT APPLICABLE

MECHANICAL:

ENGAGEMENT FORCE: 4.5 LBS TYPICAL
 DISENGAGEMENT FORCE: 6.5 LBS TYPICAL
 CONTACT RETENTION: 1.5 LBS MIN AXIAL FORCE
 DURABILITY: 100 CYCLES MIN

ENVIRONMENTAL:

OPERATING TEMPERATURE: -65 TO 165°C
 THERMAL SHOCK: MIL-STD-202, METHOD 107, CONDITION B
 MECHANICAL SHOCK: MIL-STD-202, METHOD 213, CONDITION I
 CORROSION: MIL-STD-202, METHOD 101
 VIBRATION: MIL-STD-202, METHOD 204
 MOISTURE RESISTANCE: MIL-STD-202, MEHTOD 106, EXCEPT STEP 7B

PACKAGE: 5PCS PER BAG.

CUSTOMER COPY

| | | | |
|--------------------------------------|--------|-------------|----------|
| TOLERANCE UNLESS OTHERWISE SPECIFIED | | DRAWN BY | DATE |
| | | TONY. T | 07-27-13 |
| DECIMALS | INCH | CHECKED BY | DATE |
| X.X | +0.02 | ROBERT. SH | 07-27-13 |
| X.XX | +0.01 | APPROVED BY | DATE |
| X.XXX | +0.005 | LIN. M | 07-27-13 |
| ANGLES | + 0.5v | U/M | INCH |


cinch Connectivity Solutions
CONNECTIVITY SOLUTIONS a bel group

TITLE
 SMPM MALE FULL DETENT
 2-HOLE FLANGE
 SHROUD(WITHOUT CONTACT)

| | | | | |
|---|--|--------|-------------------|------|
| THIS DRAWING WAS PRODUCED BY COMPUTER, DO NOT SCALE DRAWING OR UPDATE MANUALLY. | | SHEET | DRAWING NO. | SIZE |
| | | 1 OF 1 | 125-0701-602-CUST | C |