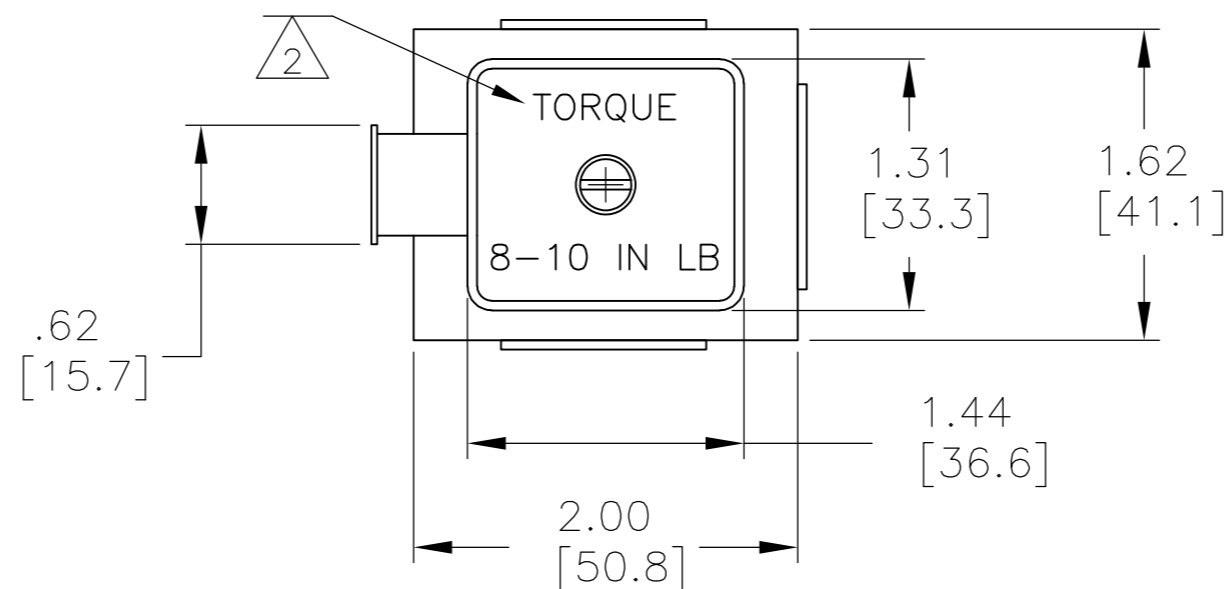
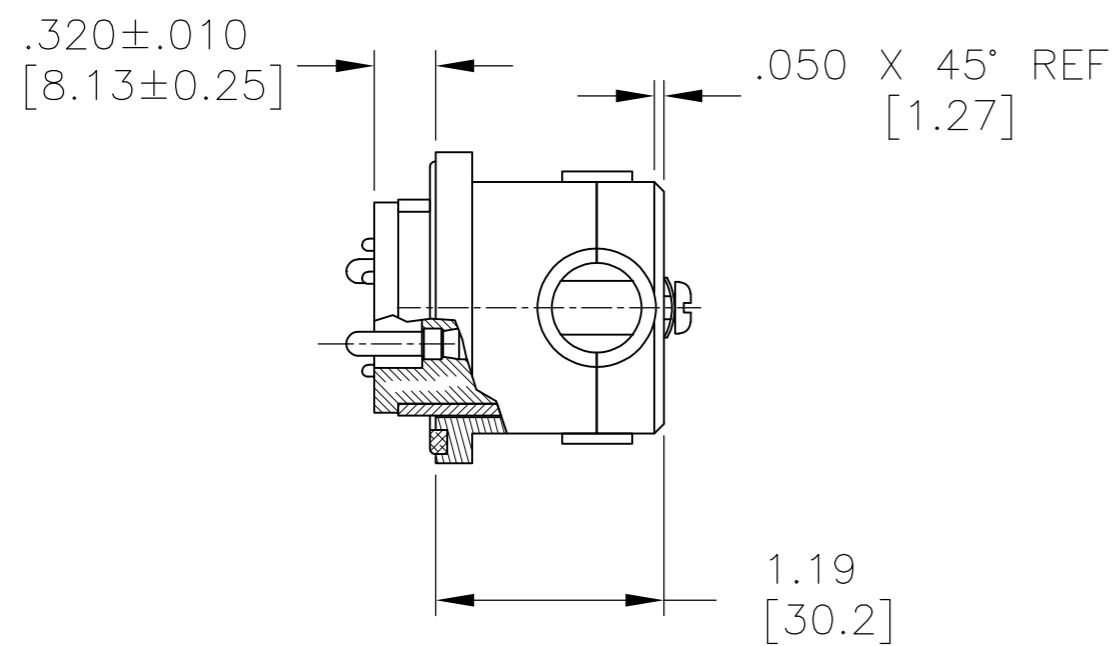
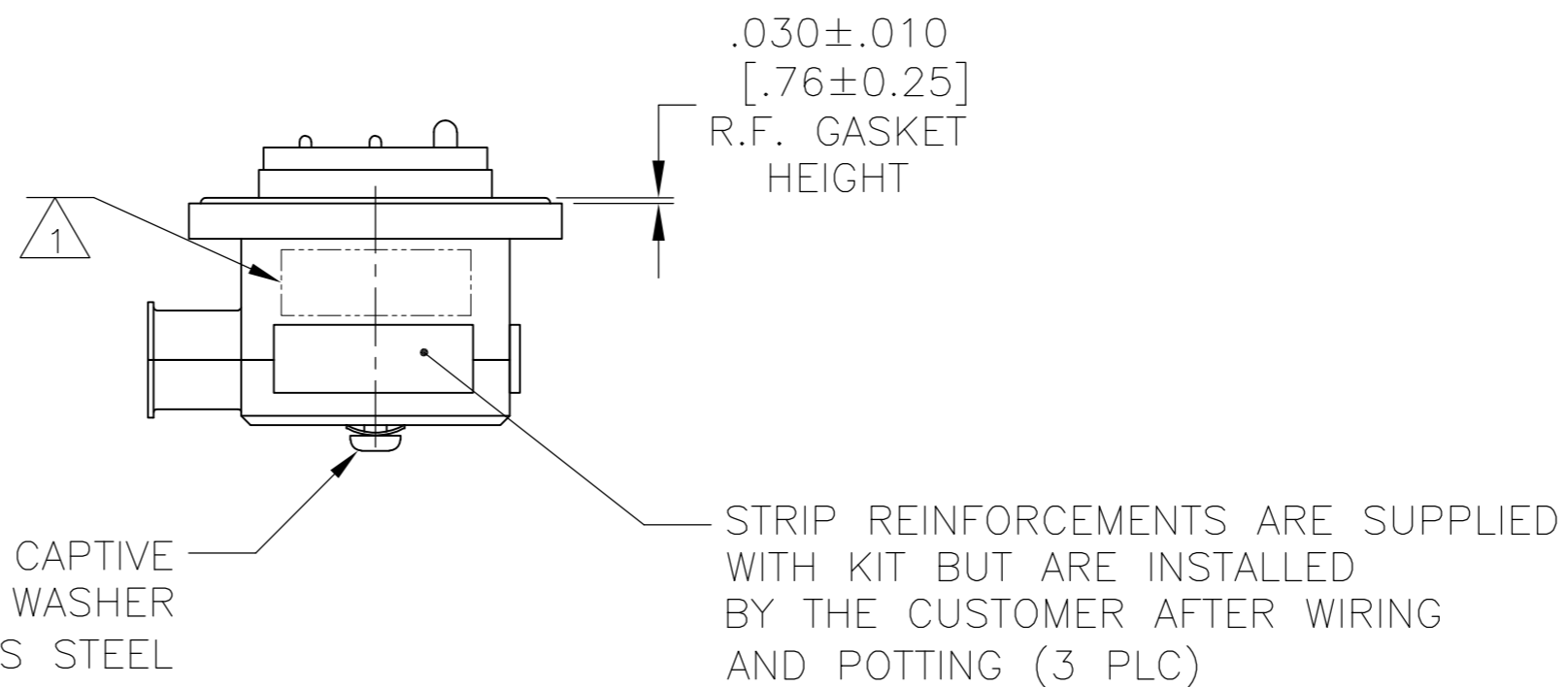
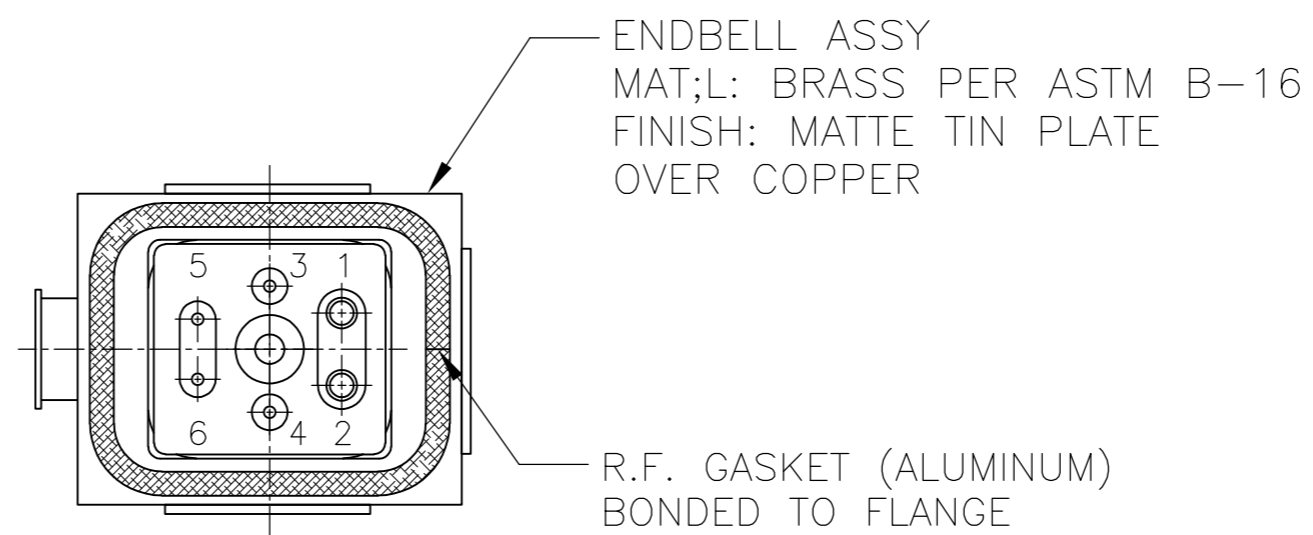


THIS DRAWING IS UNPUBLISHED. RELEASED FOR PUBLICATION
 © COPYRIGHT - By - ALL RIGHTS RESERVED.

LOC		DIST		REVISIONS			
P	LTR	DESCRIPTION	DATE	DWN	APVD		
	D	REV PER ECO-11-005194	15JUL11	PY	DE		

- 1 TE INFO MARKED PER MIL-STD-130.
- 2 MARKED AS SHOWN IN RED INK.
- 3 THIS END MATES WITH TE PART NO. 859059-1.



OBSOLETE	ELASTOMER FLOUROSILICONE MLDG. CMPD.	858057-3
	85/15 FLOUROSILICONE/ SILICONE MOLDING COMPOUND	858057-2
OBSOLETE	SILICONE RUBBER MLDG. CMPD.	858057-1
	MOLDED PLUG MATERIAL	PART NO.

DIMENSIONS:		TOLERANCES UNLESS OTHERWISE SPECIFIED:		DWN		C.C.THOMAS		6-4-09		TE Connectivity	
INCHES		0 PLC	± -	CHK	D.EABY	6-4-09					
		1 PLC	± -	APVD	D.EABY	6-4-09					
		2 PLC	± .03 [0.8]	PRODUCT SPEC							NAME PLUG AND ENDBELL ASSY,LGH
		3 PLC	± -	APPLICATION SPEC							
		4 PLC	± -	FINISH							SIZE A2
		ANGLES	± -	SEE CALLOUTS							
MATERIAL		SEE CALLOUTS		WEIGHT	-		CAGE CODE		DRAWING NO		RESTRICTED TO
SEE CALLOUTS		SEE CALLOUTS		CUSTOMER DRAWING		SCALE		SHEET		REV	