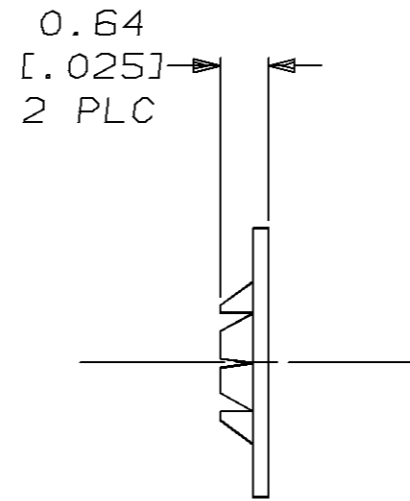
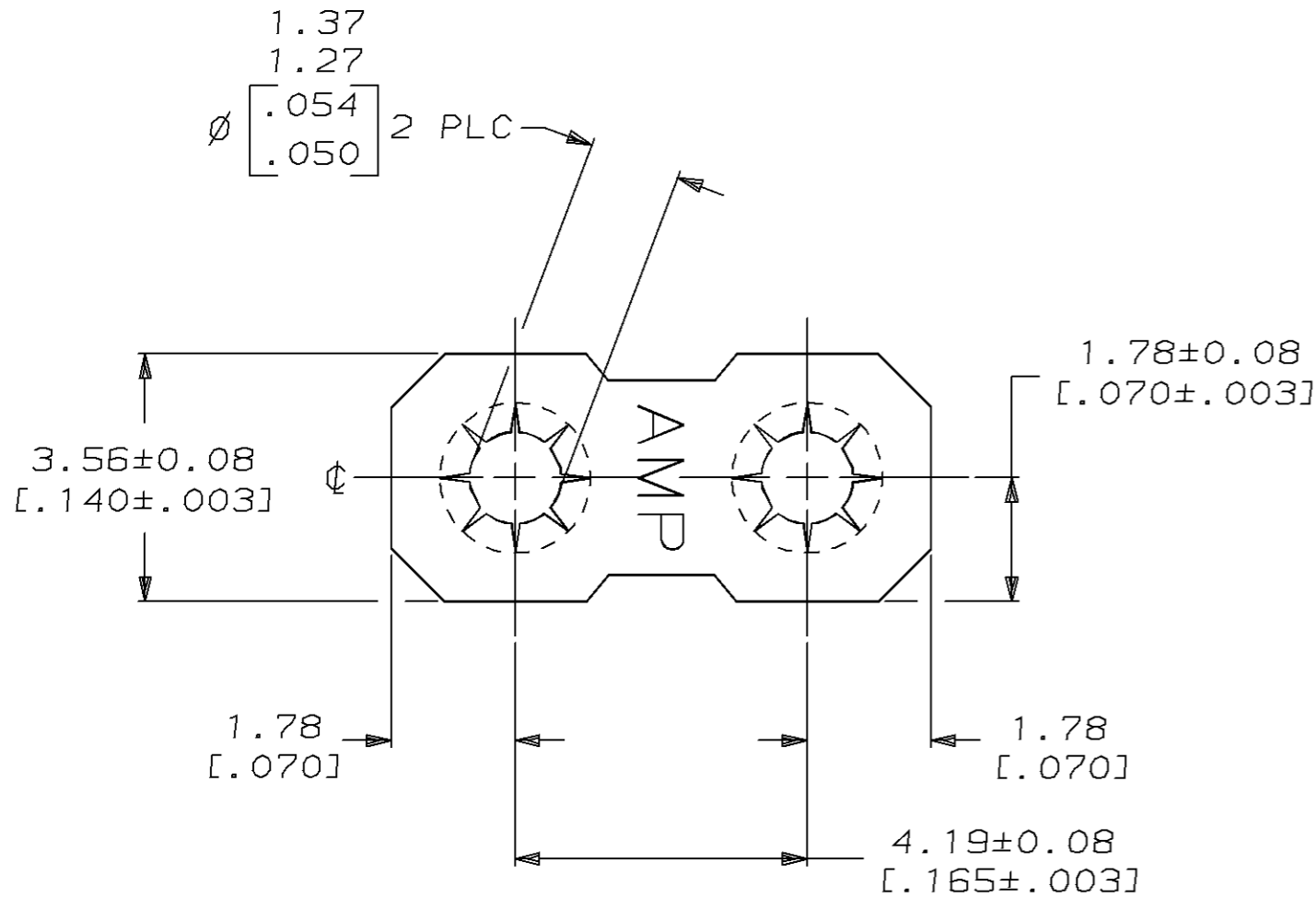


THIS DRAWING IS UNPUBLISHED. RELEASED FOR PUBLICATION, 19
 © COPYRIGHT 19 BY AMP INCORPORATED. ALL INTERNATIONAL RIGHTS RESERVED.

LOC	DIST	P	F	ZONE	LTR	DESCRIPTION	DATE	APPD
CM	52				E	REV & REDWN PER EC 0730-0059-95	3-21-95	KS

- 1. 0.00076 [.000030] MIN GOLD OVER
 0.00127 [.000050] MIN NICKEL.
- 2. DIMENSIONS IN BRACKETS ARE IN INCHES.



GOLD ¹	0.20 [.008] BRASS	350020-2
PRE-TIN	0.20 [.008] BRASS	350020-1

FINISH	MATERIAL	PART NO
DO NOT SCALE PRINT. UNLESS SPECIFIED DIMENSIONS IN mm [INCHES] TOLERANCES ON: 2 PLC DEC ± 0.13 [.005] 3 PLC DEC ± - ANGLES ± -	DR 3-21-95 K. SALMON CHK 3-21-95 R. SWING APPD 3-21-95 W. LONG APPD 3-21-95 W. LONG PRODUCT SPEC -	AMP AMP Incorporated Harrisburg, PA 17105-3608
MATERIAL SEE TABLE	APPLICATION SPEC -	NAME COMMONING BAR, 2 POSITION
FINISH SEE TABLE	WEIGHT -	SIZE B CAGE CODE 00779 DRAWING NO C-350020
		SCALE 10:1 SHEET 1 OF 1

METRIC

THIS DRAWING IS A CONTROLLED DOCUMENT FOR AMP INCORPORATED. IT IS SUBJECT TO CHANGE AND THE CONTROLLING ENGINEERING ORGANIZATION SHOULD BE CONTACTED FOR THE LATEST REVISION.