

PART NUMBER CODING
SFH213-PP_C-D- -ID-BK-M181

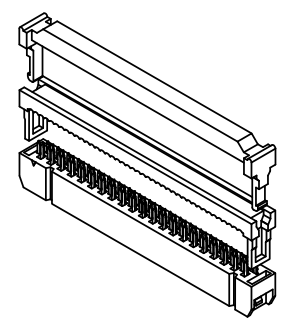
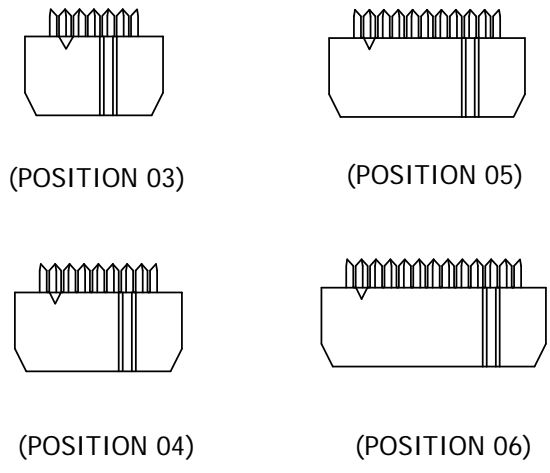
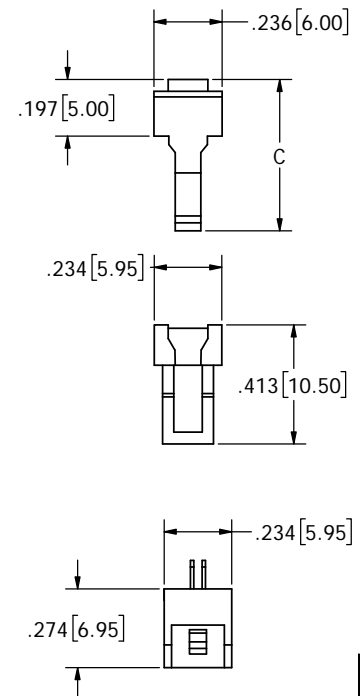
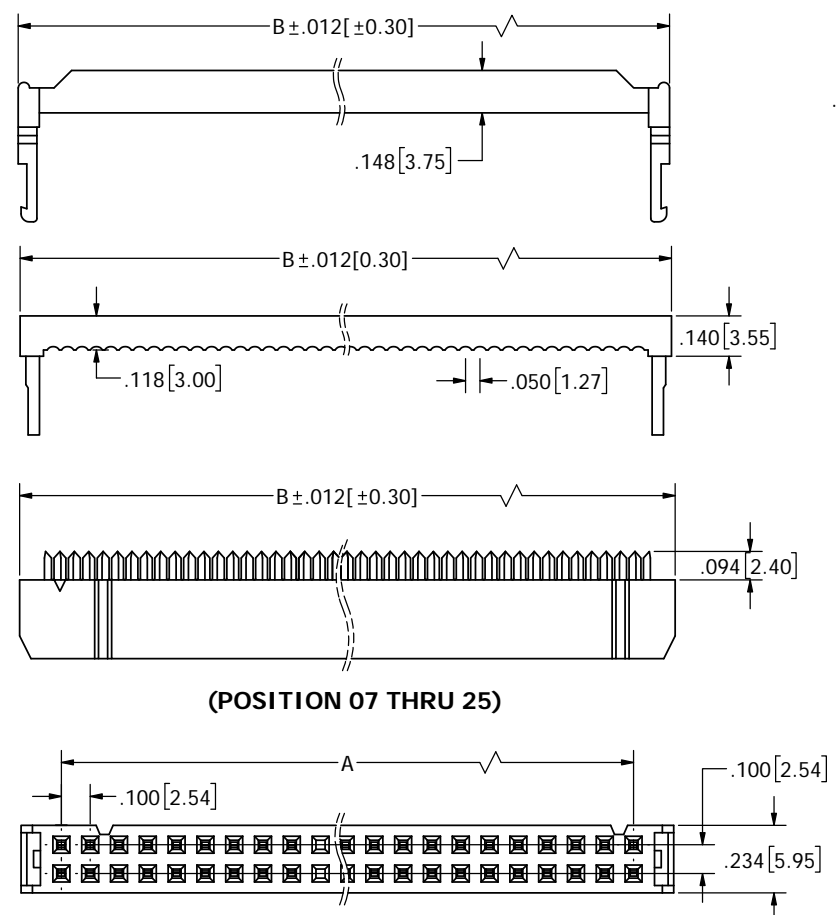
COLOR
 BK= BLACK

NUMBER OF POSITIONS
 (CONTACTS PER ROW)

PLATING
 (SEE PLATING TABLE)

PLATING TABLE	
(.000030" MIN NICKEL UNDERPLATE)	
CONTACT SURFACE	TERMINATION
P = GOLD FLASH	GOLD FLASH
V = GOLD FLASH	NICKEL
K = .000015" GOLD	NICKEL
J = .000015" GOLD	GOLD FLASH
E = .000100" PURE TIN, MATTE	.000100" PURE TIN, MATTE

REVISIONS				
REV.	ECO. NO	DESCRIPTION	DATE	BY
C	2818	UPDATE POSITION 04 FRONT VIEW	02/18/2014	LH
D	3374	UPDATE POSITION 03 VIEW AND DIMENSION TABLE 'C' OF 03 AND 04 POSITION .526[13.35] (WAS .516[13.10]). REMOVE 30 AND 32 POSITION OF DIMENSION .047[1.20] ON PAGE 2	02/01/2016	LH
E	3697	ADD 30 AND 32 POSITION DIM B TOLERANCE	06/16/2017	LH



PART NUMBER	POSITIONS/ CONTACTS	A		B		C	
		INCH	MM	INCH	MM	INCH	MM
SFH213-PP_C-D03-ID-BK-M181	03/06	0.200	5.08	0.480	12.18		
SFH213-PP_C-D04-ID-BK-M181	04/08	0.300	7.62	0.580	14.72	0.526	13.35
SFH213-PP_C-D05-ID-BK-M181	05/10	0.400	10.16	0.680	17.26		
SFH213-PP_C-D06-ID-BK-M181	06/12	0.500	12.70	0.780	19.80		
SFH213-PP_C-D07-ID-BK-M181	07/14	0.600	15.24	0.880	22.34	0.526	13.35
SFH213-PP_C-D08-ID-BK-M181	08/16	0.700	17.78	0.980	24.88		
SFH213-PP_C-D09-ID-BK-M181	09/18	0.800	20.32	1.080	27.42	0.533	13.55
SFH213-PP_C-D10-ID-BK-M181	10/20	0.900	22.86	1.180	29.96		
SFH213-PP_C-D12-ID-BK-M181	12/24	1.100	27.94	1.380	35.04		
SFH213-PP_C-D13-ID-BK-M181	13/26	1.200	30.48	1.480	37.58		
SFH213-PP_C-D15-ID-BK-M181	15/30	1.400	35.56	1.680	42.66	0.526	13.35
SFH213-PP_C-D17-ID-BK-M181	17/34	1.600	40.64	1.880	47.74		
SFH213-PP_C-D20-ID-BK-M181	20/40	1.900	48.26	2.180	55.36		
SFH213-PP_C-D25-ID-BK-M181	25/50	2.400	60.96	2.680	68.06		
POSITION 30 & 32:	30/60						
SEE SHEET 2 FOR P/N	32/64						

- NOTES:**
- INSULATOR MATERIAL: PBT 30% GLASS FIBER.
 - CONTACT MATERIAL: PHOSPHOR BRONZE.
 - OPERATING TEMPERATURE: -40 °C TO +105 °C.
 - UL FLAMMABILITY RATING: 94V-0.
 - CURRENT RATING: 1 AMP
 - INSULATION RESISTANCE: 3,000 MEGOHMS MIN.
 - DIELECTRIC WITHSTANDING: 500 V AC.
 - CONTACT RESISTANCE: 30m OHMS MAX.
 - MATES WITH SBH11 SERIES
 - FOR .050"[1.27mm] PITCH FLAT RIBBON CABLE, 26 - 28 AWG WIRE RANGE.
 - M181 DENOTES PART W/O POLARIZING KEY.



UNLESS OTHERWISE SPECIFIED:
 DIMENSIONS ARE IN INCHES (MM)

TOLERANCES:
 ANGULAR: ± 30'

DECIMALS
 .XX = ± .01 [.3]
 .XXX = ± .008 [.20]
 .XXXX = ± .0040 [.100]

DRAWN: 03/17/2009 JH
 DATE: JH
 NAME: JH

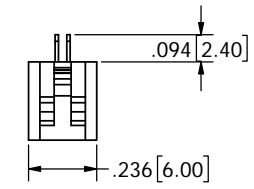
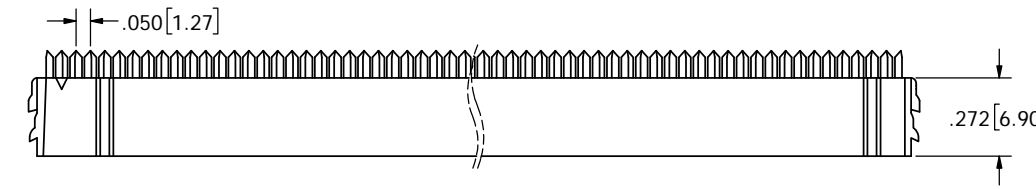
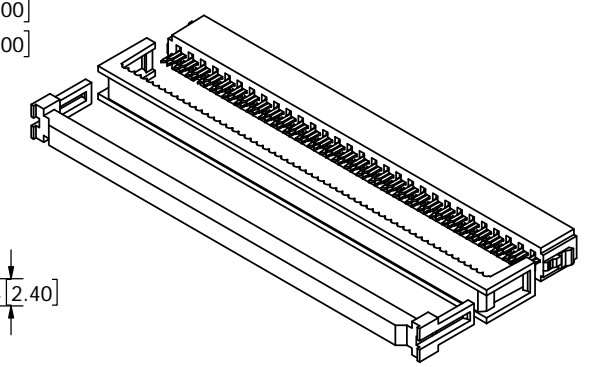
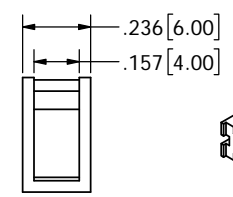
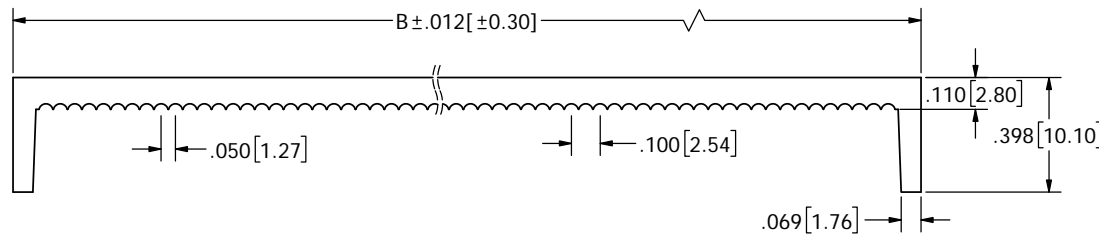
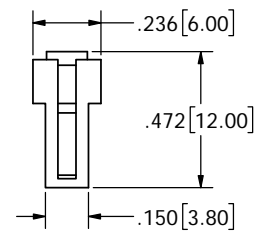
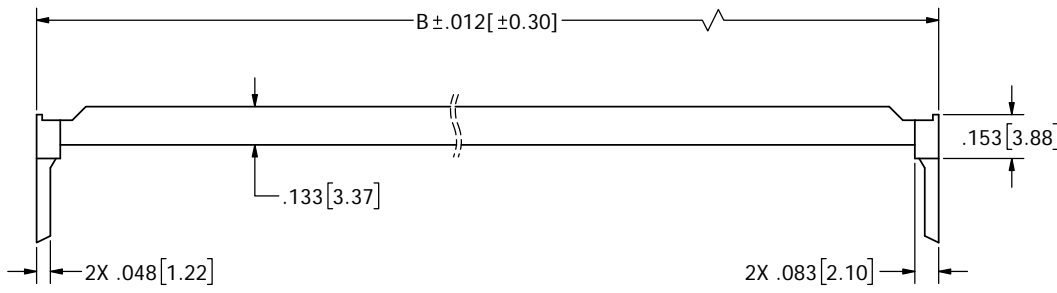
THE INFORMATION HEREIN CONTAINS PROPRIETARY INFORMATION OF SULLINS ELECTRONICS AND IS NOT TO BE REPRODUCED, USED OR DISCLOSED TO OTHERS FOR ANY PURPOSE EXCEPT AS SPECIFICALLY AUTHORIZED IN WRITING BY AN OFFICER OF SULLINS ELECTRONICS.

SULLINS
 CONNECTOR SOLUTIONS

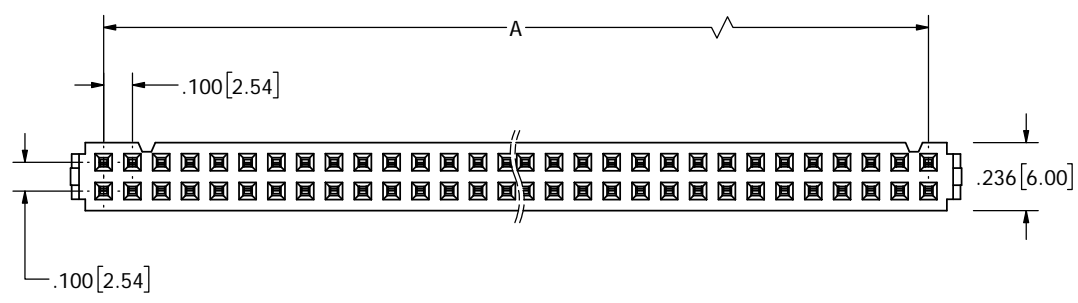
TITLE: IDC SOCKET .100" CC/RS, W/O KEY, W/SR
 PART NUMBER: SFH213-PP_C-D- _ID-BK-M181

SIZE: C
 CAGE CODE: 54453
 DWG. NO.: 11227
 SCALE: 3:1

REV: E
 SHEET 1 OF 2



(POSITION 30 & 32)



PART NUMBER	POSITIONS/ CONTACTS	A		B	
		INCH	MM	INCH	MM
POSITION 03 THRU 25: SEE SHEET 1 FOR PART NUMBERS	03/06	SEE SHEET 1 FOR DIMENSIONS			
	04/08				
	05/10				
	06/12				
	07/14				
	08/16				
	09/18				
	10/20				
	12/24				
	13/26				
	15/30				
	17/34				
20/40					
25/50					
SFH213-PP_C-D30-ID-BK-M181	30/60	2.900	73.66	3.179	80.74
SFH213-PP_C-D32-ID-BK-M181	32/64	3.100	78.74	3.379	85.82

- NOTES:
- INSULATOR MATERIAL: PBT 30% GLASS FIBER.
 - CONTACT MATERIAL: PHOSPHOR BRONZE.
 - OPERATING TEMPERATURE: -40 °C TO +105 °C.
 - UL FLAMMABILITY RATING: 94V-0.
 - CURRENT RATING: 1 AMP
 - INSULATION RESISTANCE: 3,000 MEGOHMS MIN.
 - DIELECTRIC WITHSTANDING: 500 V AC.
 - CONTACT RESISTANCE: 30m OHMS MAX.
 - MATES WITH SBH11 SERIES
 - FOR .050" [1.27mm] PITCH FLAT RIBBON CABLE, 26 - 28 AWG WIRE RANGE.
 - M181 DENOTES PART W/O POLARIZING KEY.



UNLESS OTHERWISE SPECIFIED:
DIMENSIONS ARE IN INCHES (MM)

TOLERANCES:
ANGULAR: ± 30'

DECIMALS
.XX=± .01 [3]
.XXX=± .008 [20]
.XXXX=± .0040 [100]

DRAWN	DATE	NAME
	03/17/2008	JH
<small>THE INFORMATION HEREIN CONTAINS PROPRIETARY INFORMATION OF SULLINS ELECTRONICS AND IS NOT TO BE REPRODUCED, USED OR DISCLOSED TO OTHERS FOR ANY PURPOSE EXCEPT AS SPECIFICALLY AUTHORIZED IN WRITING BY AN OFFICER OF SULLINS ELECTRONICS.</small>		

SULLINS
CONNECTOR SOLUTIONS

TITLE
HEADER FEMALE, .100" CC/R, w/o KEY, w/ SR
PART NUMBER
SFH213-PP_C-D_-ID-BK-M181

SIZE	CAGE CODE	DWG. NO.	REV
C	54453	11227	E

SCALE: 3:1

SHEET 2 OF 2