

Temperature measuring transducer - MINI MCR-SL-PT100-LP-NC-SP - 2810395

Please be informed that the data shown in this PDF Document is generated from our Online Catalog. Please find the complete data in the user's documentation. Our General Terms of Use for Downloads are valid (<http://phoenixcontact.com/download>)



Configurable loop-powered temperature transducer for Pt 100 temperature sensors, configured via DIP switches, with spring-cage connection, not pre-configured

The figure shows version MINI MCR-SL-PT100-LP-NC

Product Features

- ✓ 2, 3 or 4-wire Pt 100 sensors
- ✓ Highly-compact loop-powered temperature transducer for electrical isolation, conversion, amplification, and filtering of Pt 100 signals to create standard signals
- ✓ Does not require additional auxiliary voltage
- ✓ Error indication via diagnostic LED and analog signal
- ✓ 2-way isolation
- ✓ Temperature measuring range of -150°C to +300°C
- ✓ Supplied by an output loop
- ✓ Input signals can be configured via DIP switches



Key commercial data

Packing unit	1 pc
Weight per Piece (excluding packing)	80.0 GRM
Custom tariff number	85437090
Country of origin	Germany

Technical data

Note

Temperature measuring transducer - MINI MCR-SL-PT100-LP-NC-SP - 2810395

Technical data

Note

Utilization restriction	EMC: class A product, see manufacturer's declaration in the download area
-------------------------	---

Dimensions

Width	6.2 mm
Height	93.1 mm
Depth	102.5 mm

Ambient conditions

Ambient temperature (operation)	-20 °C ... 65 °C
Ambient temperature (storage/transport)	-40 °C ... 85 °C
Degree of protection	IP20

Input data

Configurable/programmable	Yes, unconfigured
Sensor types (RTD) that can be used	Pt 100 (IEC 60751/EN 60751)
Sensor input current	1 mA (constant)
Temperature measuring range	-150 °C ... 300 °C (can be set via DIP switches)
Connection method	2, 3, 4-wire

Output data

Configurable/programmable	Yes, unconfigured
Current output signal	4 mA ... 20 mA
	20 mA ... 4 mA
Max. output current	23 mA (output limit)
Load/output load current output	$(U_{\text{supply}} - 12 \text{ V}) / 22 \text{ mA}$

Power supply

Designation	Loop-powered
Supply voltage range	12 V DC ... 30 V DC
Max. current consumption	< 3.5 mA (without signal current)
Power consumption	< 42 mW

Connection data

Connection method	Spring-cage connection
Conductor cross section solid min.	0.2 mm ²
Conductor cross section solid max.	2.5 mm ²
Conductor cross section AWG/kcmil min.	24
Conductor cross section AWG/kcmil max	12
Conductor cross section stranded min.	0.2 mm ²

Temperature measuring transducer - MINI MCR-SL-PT100-LP-NC-SP - 2810395

Technical data

Connection data

Conductor cross section stranded max.	2.5 mm ²
Stripping length	8 mm

General

Maximum temperature coefficient	< 0.02 %/K
Linearity error	< 0.05 % (for full measuring range)
Electrical isolation	Basic insulation according to EN 61010
Surge voltage category	II
Pollution degree	2
Rated insulation voltage	50 V AC/DC
Test voltage, input/output/supply	1.5 kV (50 Hz, 1 min.)
Electromagnetic compatibility	Conformance with EMC Directive 2004/108/EC
Noise emission	EN 61000-6-4
Noise immunity	EN 61000-6-2 When being exposed to interference, there may be minimal deviations.
Color	green
Housing material	PBT
Mounting position	any
Conformance	CE-compliant
ATEX	# II 3 G Ex nA IIC T4 Gc X
UL, USA / Canada	UL 508 Recognized
	Class I, Div. 2, Groups A, B, C, D T5 applied for

EMC data

Designation	Electromagnetic RF field
Standards/regulations	EN 61000-4-3
Typical deviation from the measuring range final value	5 %
Designation	Fast transients (burst)
Standards/regulations	EN 61000-4-4
Typical deviation from the measuring range final value	5 %
Designation	Conducted interferences
Standards/regulations	EN 61000-4-6
Typical deviation from the measuring range final value	5 %

Temperature measuring transducer - MINI MCR-SL-PT100-LP-NC-SP - 2810395

Classifications

eCl@ss

eCl@ss 4.0	27200206
eCl@ss 4.1	27200206
eCl@ss 5.0	27200206
eCl@ss 5.1	27200206
eCl@ss 6.0	27200206
eCl@ss 7.0	27200206
eCl@ss 8.0	27200206

ETIM

ETIM 2.0	EC001446
ETIM 3.0	EC001446
ETIM 4.0	EC001446
ETIM 5.0	EC001446

UNSPSC

UNSPSC 6.01	30211506
UNSPSC 7.0901	39121008
UNSPSC 11	39121008
UNSPSC 12.01	39121008
UNSPSC 13.2	39121008

Approvals

Approvals

Approvals

UL Recognized / cUL Recognized / cULus Recognized

Ex Approvals

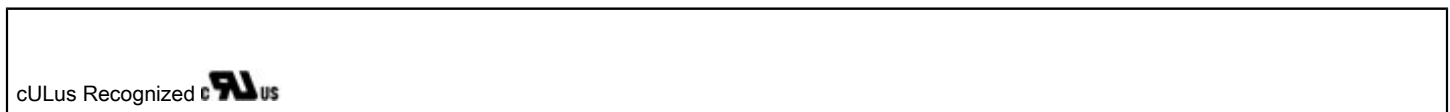
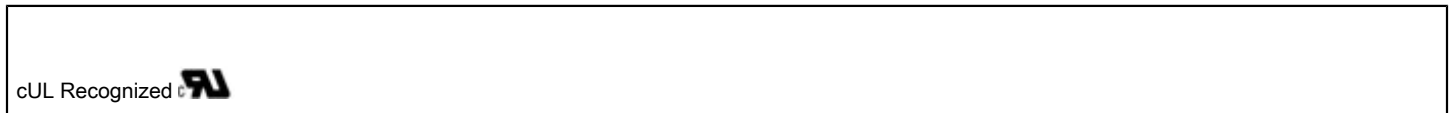
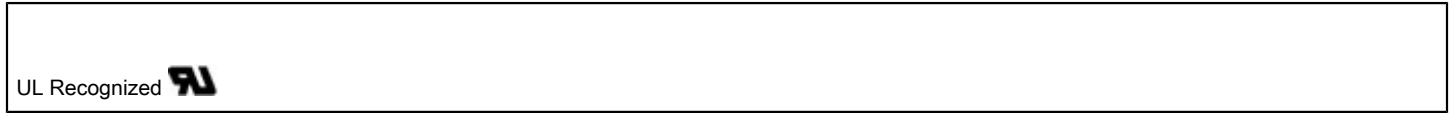
ATEX

Approvals submitted

Approval details

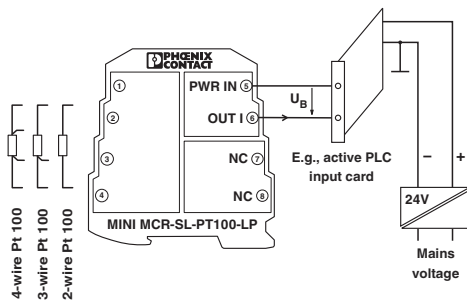
Temperature measuring transducer - MINI MCR-SL-PT100-LP-NC-SP - 2810395

Approvals

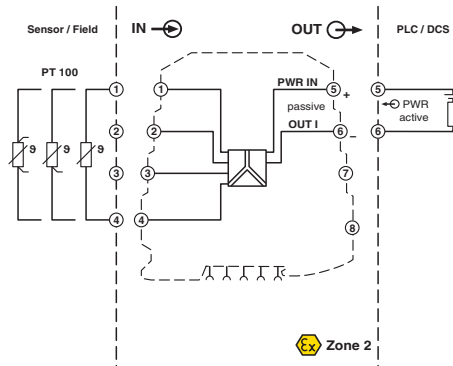


Drawings

Application drawing



Block diagram



Dimensioned drawing

