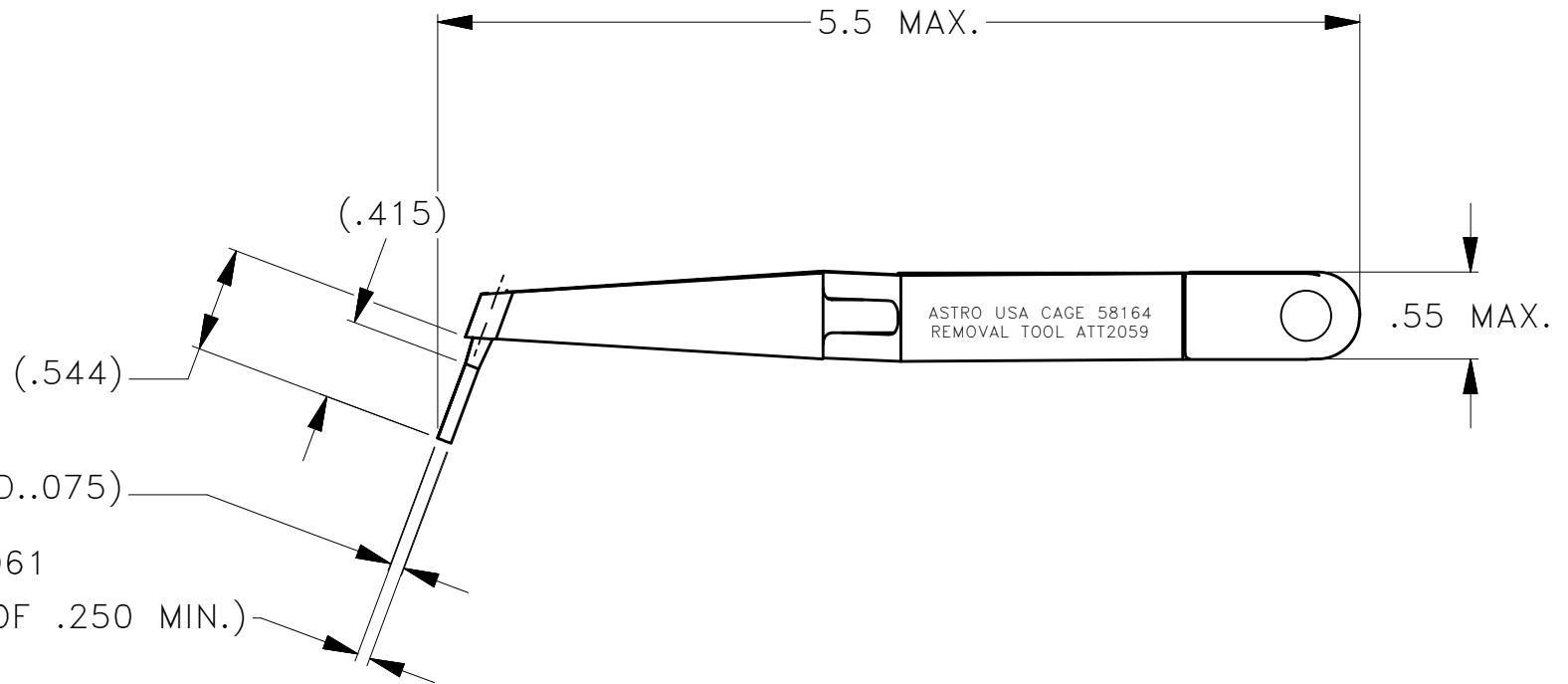


**UNCONTROLLED DOCUMENT**  
**WILL NOT BE UPDATED**

REV SYM		ECO NUMBER	DESCRIPTION	BY DATE	APP'D DATE
A			NEW RELEASE	DYO 09-09-10	MK 09-09-10



NOTES:

1. THIS IS AN ICAD DRAWING DO NOT MANUALLY CHANGE.
2. COLOR CODE: BROWN, WHITE.

THESE DRAWINGS, SPECIFICATIONS OR OTHER DATA ARE AND REMAIN, THE PROPERTY OF ASTRO TOOL CORP. AND MUST BE RETURNED UPON REQUEST. THEY CONTAIN INFORMATION OWNED AND/OR DEVELOPED BY ASTRO AT ITS OWN PRIVATE EXPENSE AND MAY NOT BE USED, DUPLICATED OR DISCLOSED TO OTHERS, IN WHOLE OR IN PART FOR DESIGN, MANUFACTURE, OR PROCUREMENT WITHOUT THE WRITTEN PERMISSION OF ASTRO TOOL CORP. EACH AND EVERY TIME.

CREATED FROM AN INVENTOR MODEL. CHANGES MUST BE REFLECTED IN THE 3D PART

DO NOT SCALE DRAWING

MATERIAL --	ITEM DRN. J. MATTHEWS	PART NO.	QTY.	DESCRIPTION/REMARKS CAGE 58164
	DATE 03-18-09			
	CHK'D. M.KANETOMI			
	DATE 03-18-09			
HEAT TREAT N/A	APP'D.	DATE	TITLE ENVELOPE DRAWING: ATT 2059 TWEEZER, REMOVAL	
	APP'D.	DATE	WHERE USED:	
FINISH N/A	TOLERANCE: UNLESS OTHERWISE SPECIFIED FRACTIONS ± 1/32 ANGLES ± 1° DECIMAL INCHES: .X ± .030 .XX ± .010 .XXX ± .005 .XXXX ± .0005 REMOVE BURRS AND BREAK SHARP EDGES .005-.015		SIZE A	SCALE N.T.S.
			CAD P/N --	SHEET OF 1 1
			POSTING	P/N ATT 2059-ENV
				REV. A

