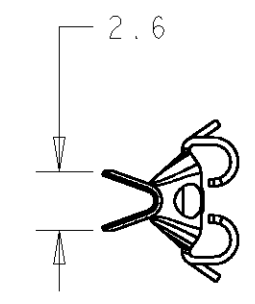
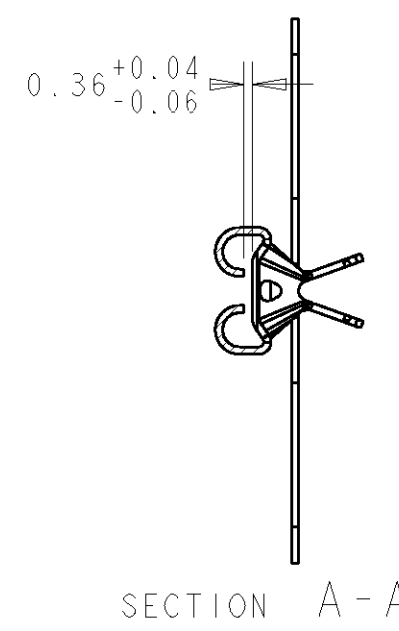
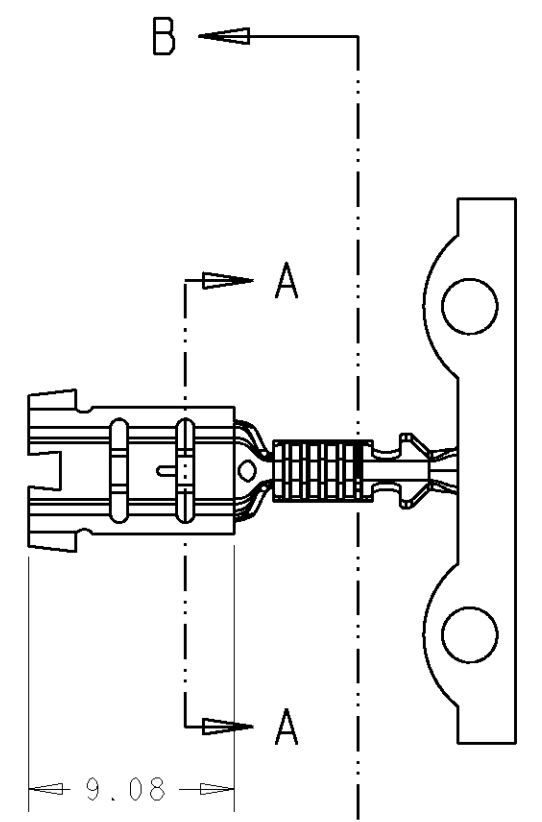
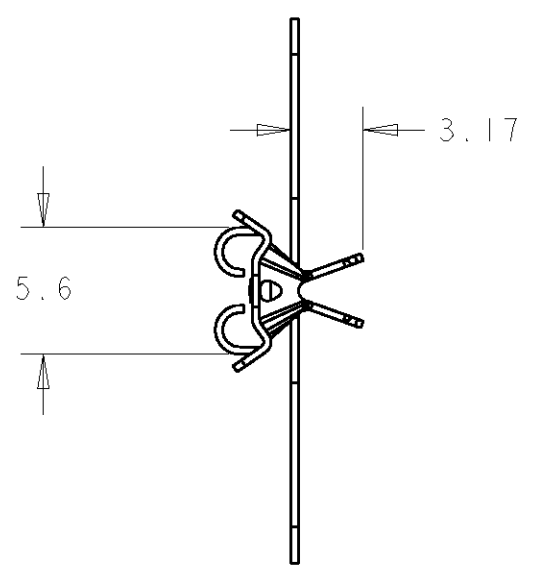
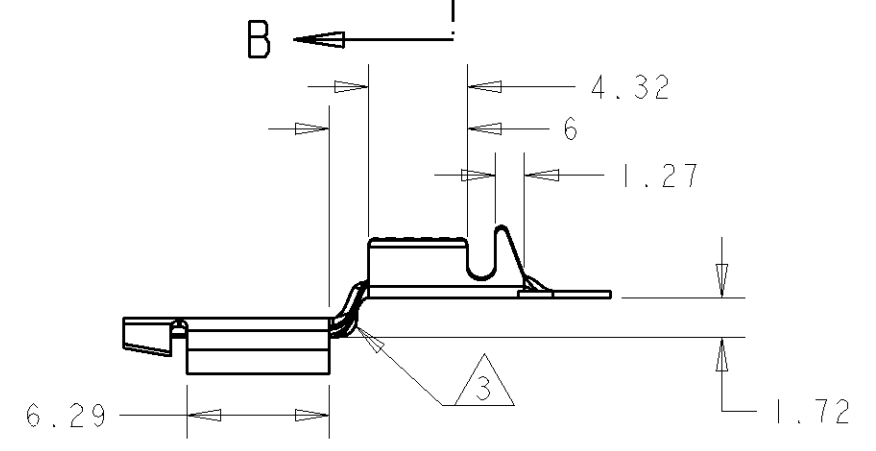
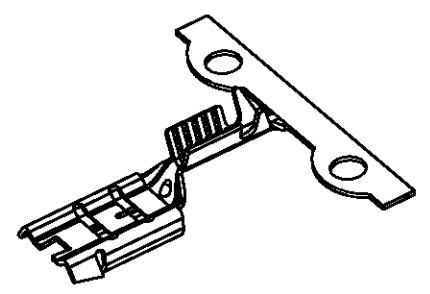


THIS DRAWING IS UNPUBLISHED. RELEASED FOR PUBLICATION 20
 © COPYRIGHT 20 BY TYCO ELECTRONICS CORPORATION. ALL RIGHTS RESERVED.

LOC	DIST	REVISIONS					
E	B	P	LTR	DESCRIPTION	DATE	DWN	APVD
			K	EB00-0433-98	17/08/98	MJH	JB
			L	EBD0-0093-05	23/02/05	MJG	JA
			M	EBD0-0129-05	16/03/05	MJG	JA



SECTION B-B

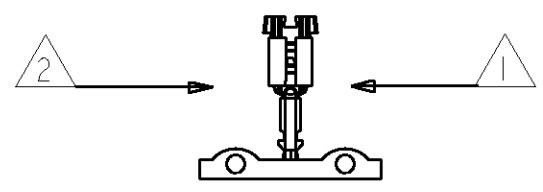


NOTES:

- 1 REELING DIRECTION FOR 341333-1 & -3
- 2 REELING DIRECTION FOR 341333-2
- 3 341333-3 PRODUCED WITHOUT STRENGTHENING RIB
- 4. LOOSE PIECE PART NO 346099
- 5. FOR DETAILS ON CAVITY SEE DRAWING SP 8471

REELING DETAILS:

DIRECTION OFF TOP OF REEL
 RECEPTACLE UP, BARRELS DOWN



LOOSE PIECE PT NO	RIB	REELING	FINISH	MATERIAL	PART NO
	3	1	NONE	BRASS	341333-3
		2	NONE	BRASS	341333-2
346099-1		1	NONE	BRASS	341333-1

THIS DRAWING IS A CONTROLLED DOCUMENT FOR TYCO ELECTRONICS CORPORATION IT IS SUBJECT TO CHANGE AND THE CONTROLLING ENGINEERING ORGANIZATION SHOULD BE CONTACTED FOR THE LATEST REVISION.		DWN 23FEB2005 M.GREENER CHK 23FEB2005 J.AMBROSE APVD 23FEB2005 F.WHEELER-KING		Tyco Electronics UK Ltd, Bideford, Devon. EX39 4HE	
DIMENSIONS: mm		TOLERANCES UNLESS OTHERWISE SPECIFIED: 0 PLC ±- 1 PLC ±0.5 2 PLC ±0.5 3 PLC ±0.5 4 PLC ±- ANGLES ±2 FINISH SEE TABLE		NAME STATOR TERMINAL 4.75 SERIES	
MATERIAL SEE TABLE		PRODUCT SPEC - APPLICATION SPEC - WEIGHT -		SIZE A3 CAGE CODE 00779 DRAWING NO C-341333 RESTRICTED TO -	
CUSTOMER DRAWING				SCALE 2:1 SHEET 1 OF 1 REV M	