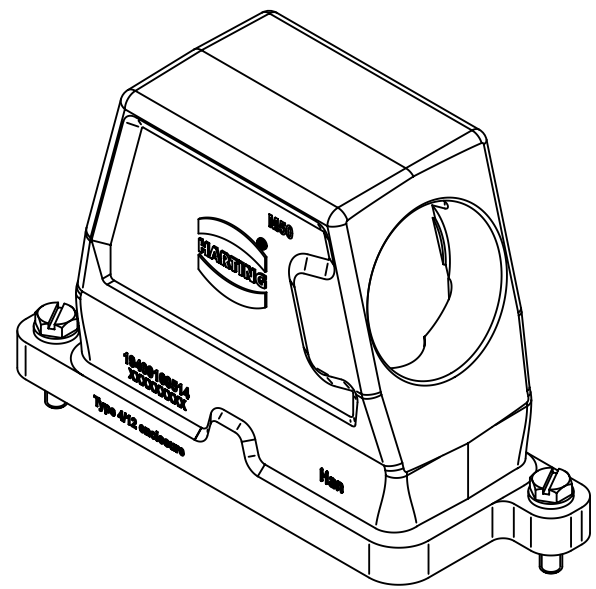
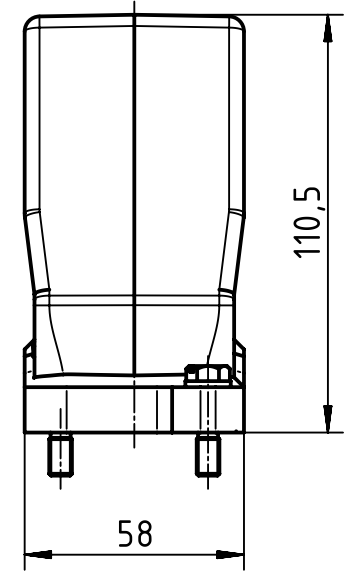
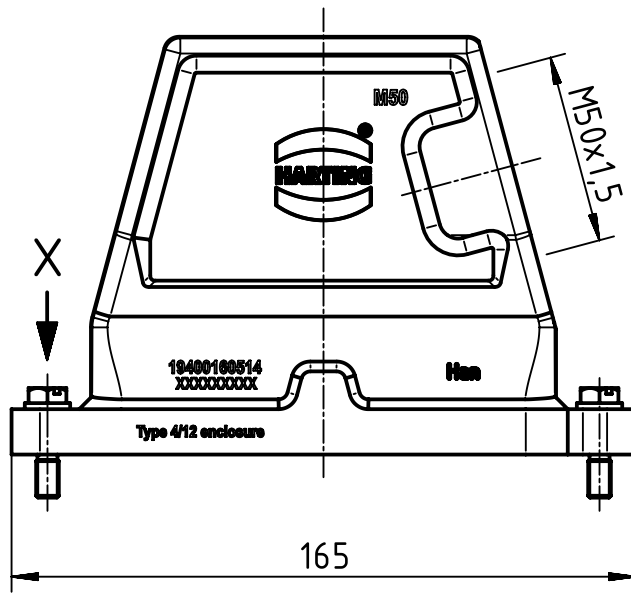
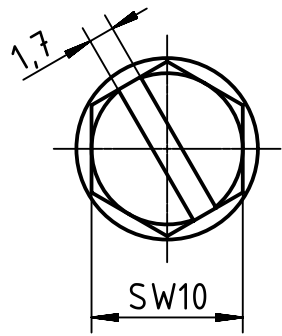


X (2:1)



	All Dimensions in mm Original Size DIN A4		Scale 1:2	Free size tol.		Ref.
			Created by FINKEV	Inspected by GERB	Standardisation TIEMANNA	Sub.
All rights reserved Department EL PD - DE		Title Han 16HPR-gs-SV-M50		Date 2015-11-13	State Final Release	Doc-Key / ECM-Nr. 100215023/UGD/004/B 500000094511
HARTING Electric GmbH & Co. KG D-32339 Espelkamp		Type TB	Number 19 40 016 0514		Rev. B	Page 1/1