

INTERCONNECTS

SERIES 342 • 2,54 GRID BOARD STACKING HEADERS • SINGLE ROW STRIPS

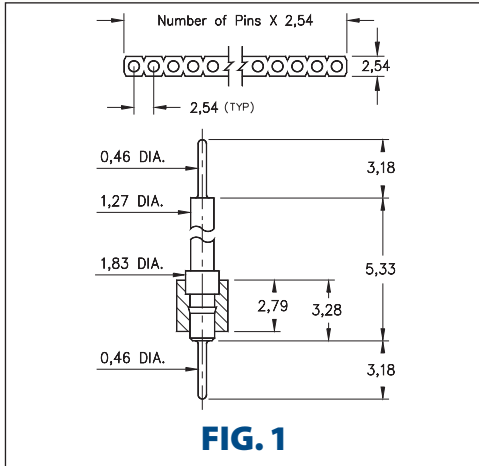


FIG. 1

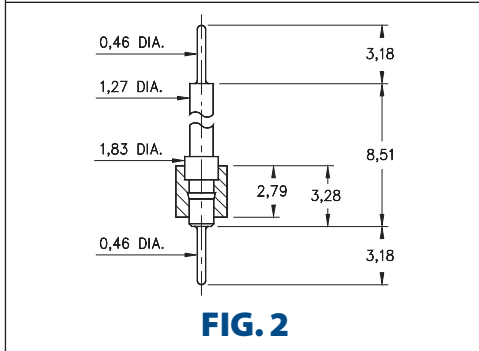


FIG. 2

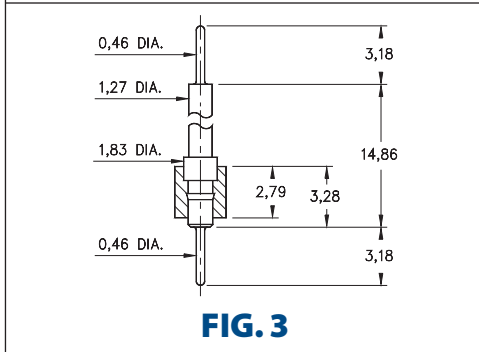


FIG. 3

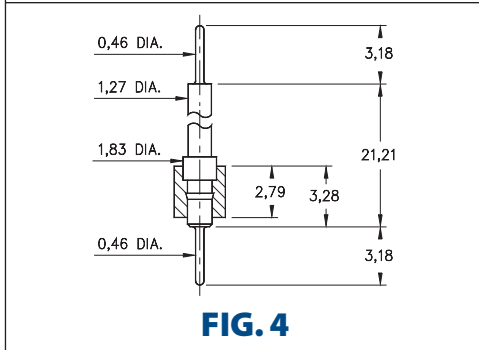


FIG. 4

- Series 342 interconnect header strips come in four heights with 0,46 dia. pluggable solder tails at both ends

342...591 uses pin #4259-1 (L = 5,33)
 342...592 uses pin #4259-2 (L = 8,51)
 342...593 uses pin #4259-3 (L = 14,86)
 342...594 uses pin #4259-4 (L = 21,21)
 See page 212 for details

- Insulators are high temperature thermoplastic, suitable for all soldering operations



ORDERING INFORMATION

	Series 342...591	0,46 / 0,46 Dia. Solder Tails
FIG. 1	342-XX-1	-00-591000
	Specify number of pins	01-64
FIG. 2	Series 342...592	0,46 / 0,46 Dia. Solder Tails
	342-XX-1	-00-592000
	Specify number of pins	01-64
FIG. 3	Series 342...593	0,46 / 0,46 Dia. Solder Tails
	342-XX-1	-00-593000
	Specify number of pins	01-64
FIG. 4	Series 342...594	0,46 / 0,46 Dia. Solder Tails
	342-XX-1	-00-594000
	Specify number of pins	01-64



XX=Plating Code
See Below

For
Electrical, Mechanical
& Environmental Data,
See page 264

SPECIFY PLATING CODE XX=	10	90	40	
Pin Plating	0,25µm Au	5,08µm Sn/Pb	5,08µm Sn	

