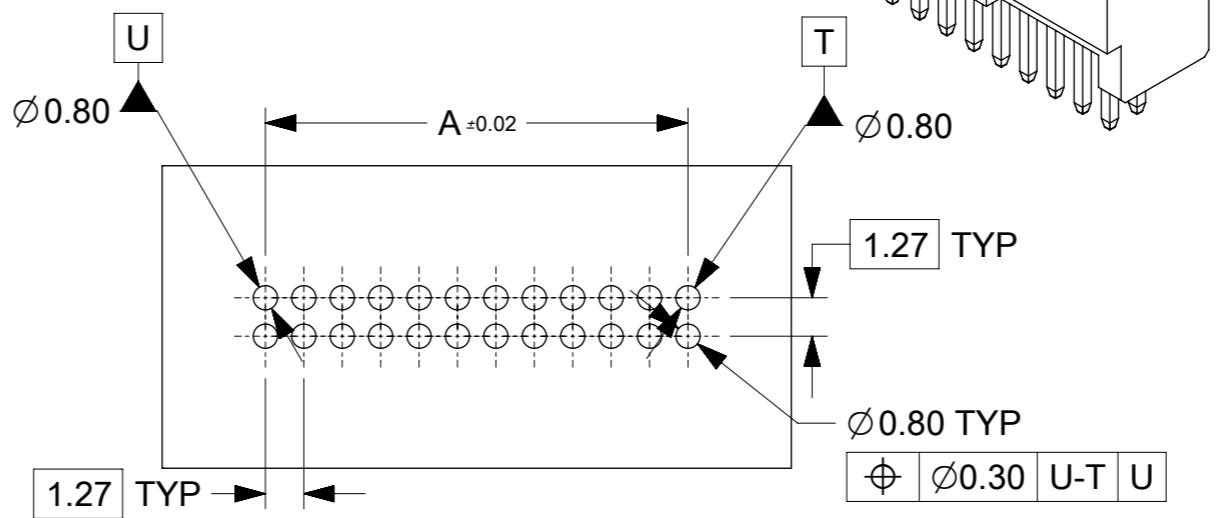


DETAIL B
SCALE 10:1

DETAIL C
SCALE 20:1



RECOMMENDED PCB LAYOUT
TOLERANCE ±0.05

NOTES:

- FOR ILLUSTRATION PURPOSES, 24 CIRCUIT SIZE WAFER IS SHOWN.
- MATERIAL :
HOUSING : LCP, GLASS-FILLED, UL94V-0, BLACK
BANDOLIER PIN : 0.40MM SQ. COPPER ALLOY
- FINISHES: SEE SHEET 2
- PRODUCT SPECIFICATION: 2009890001_PS
- PACKAGING SPECIFICATION: 2010220001_PK
- POSITIONING TO BE CONTROLLED BASED ON PIN TIP
- REFER TO SHEET 2 FOR PART OPTION & PART NUMBER.
- MATES WITH: 78120 SERIES
- PARTS CONFORMS TO CLASS "B" REQUIREMENT OF COSMETIC SPECIFICATION PS-45499-002
- MOLEX LOGO AND CAVITY LOCATED AS SHOWN.
- NON-FUNCTIONAL CORING IS SUBJECTED TO CHANGES WITHOUT NOTICE.

CKT SIZE	DIMENSION					
	A	B	C	D	E	F
4	1.27	3.25	5.15	-	3.05	3.04
6	2.54	4.52	6.42	4.85	4.32	4.31
8	3.81	5.79	7.69	4.85	5.59	5.58
10	5.08	7.06	8.96	4.85	8.86	8.85
12	6.35	8.33	10.23	4.85	8.13	8.12
14	7.62	9.60	11.50	4.85	9.40	9.39
16	8.89	10.87	12.77	4.85	10.67	10.66
18	10.16	12.14	14.04	4.85	11.94	11.93
20	11.43	13.41	15.31	4.85	13.21	13.20
22	12.70	14.68	16.58	4.85	14.48	14.47
24	13.97	15.95	17.85	4.85	15.75	15.74

DIMENSION G TAIL LENGTH	RECOMMENDED PCB THICKNESS
1.60	1.60
2.40	2.40
3.00	3.00

<p>QUALITY SYMBOLS</p> <p>PRELIM. RELEASE</p> <p>EC NO: 111465</p> <p>DRWN: SCHEONG</p> <p>CHK'D: KHLIM</p> <p>APPR: KHLIM</p> <p>REV: A1</p>	<p>THIS DRAWING CONTAINS INFORMATION THAT IS PROPRIETARY TO MOLEX ELECTRONIC TECHNOLOGIES, LLC AND SHOULD NOT BE USED WITHOUT WRITTEN PERMISSION</p>		<p>DIMENSION UNITS: MM</p> <p>SCALE: NTS</p>		<p>1.27MM PITCH SLIM-GRID VERTICAL THROUGH HOLE SHROUDED HEADER</p> <p>PRODUCT CUSTOMER DRAWING</p> <p>SERIES: 201022 MATERIAL NUMBER: SEE TABLE CUSTOMER: GENERAL MARKET</p> <p>DOCUMENT NUMBER: 2010220024 DOC TYPE: PSD DOC PART: 000 SHEET NUMBER: 1 OF 2</p>
	<p>GENERAL TOLERANCES (UNLESS SPECIFIED)</p> <p>ANGULAR TOL ± 3.0 °</p>		<p>DRWN BY: SCHEONG DATE: 2016/02/22</p>		
	<p>4 PLACES ±</p> <p>3 PLACES ±</p> <p>2 PLACES ± 0.2</p> <p>1 PLACE ±</p> <p>0 PLACES ±</p>		<p>CHK'D BY: GMENARLY DATE: 2016/11/18</p>		
	<p>DRAFT WHERE APPLICABLE MUST REMAIN WITHIN DIMENSIONS</p>		<p>APPR BY: KHLIM DATE: 2016/11/24</p>		
	<p>DRAWING SIZE: A3</p>		<p>THIRD ANGLE PROJECTION</p>		
	<p>DATE: 2016/12/08</p>		<p>DATE: 2016/12/19</p>		
	<p>DATE: 2015/11/18</p>		<p>DATE: 2016/02/22</p>		
	<p>DATE: 2016/11/18</p>		<p>DATE: 2016/11/18</p>		
	<p>DATE: 2016/11/18</p>		<p>DATE: 2016/11/24</p>		
	<p>DATE: 2016/11/18</p>		<p>DATE: 2016/11/24</p>		

CKT SIZE	PIN TAIL LENGTH, G=1.60		PIN TAIL LENGTH, G=2.40		PIN TAIL LENGTH, G=3.00	
	ASSEMBLY WITHOUT CAP P/N	ASSEMBLY WITH CAP P/N	ASSEMBLY WITHOUT CAP P/N	ASSEMBLY WITH CAP P/N	ASSEMBLY WITHOUT CAP P/N	ASSEMBLY WITH CAP P/N
4	201022-0004	201022-3004	201022-1004	201022-4004	201022-2004	201022-5004
	201022-0104	201022-3104	201022-1104	201022-4104	201022-2104	201022-5104
	201022-0204	201022-3204	201022-1204	201022-4204	201022-2204	201022-5204
6	201022-0006	201022-3006	201022-1006	201022-4006	201022-2006	201022-5006
	201022-0106	201022-3106	201022-1106	201022-4106	201022-2106	201022-5106
	201022-0206	201022-3206	201022-1206	201022-4206	201022-2206	201022-5206
8	201022-0008	201022-3008	201022-1008	201022-4008	201022-2008	201022-5008
	201022-0108	201022-3108	201022-1108	201022-4108	201022-2108	201022-5108
	201022-0208	201022-3208	201022-1208	201022-4208	201022-2208	201022-5208
10	201022-0010	201022-3010	201022-1010	201022-4010	201022-2010	201022-5010
	201022-0110	201022-3110	201022-1110	201022-4110	201022-2110	201022-5110
	201022-0210	201022-3210	201022-1210	201022-4210	201022-2210	201022-5210
12	201022-0012	201022-3012	201022-1012	201022-4012	201022-2012	201022-5012
	201022-0112	201022-3112	201022-1112	201022-4112	201022-2112	201022-5112
	201022-0212	201022-3212	201022-1212	201022-4212	201022-2212	201022-5212
14	201022-0014	201022-3014	201022-1014	201022-4014	201022-2014	201022-5014
	201022-0114	201022-3114	201022-1114	201022-4114	201022-2114	201022-5114
	201022-0214	201022-3214	201022-1214	201022-4214	201022-2214	201022-5214
16	201022-0016	201022-3016	201022-1016	201022-4016	201022-2016	201022-5016
	201022-0116	201022-3116	201022-1116	201022-4116	201022-2116	201022-5116
	201022-0216	201022-3216	201022-1216	201022-4216	201022-2216	201022-5216
18	201022-0018	201022-3018	201022-1018	201022-4018	201022-2018	201022-5018
	201022-0118	201022-3118	201022-1118	201022-4118	201022-2118	201022-5118
	201022-0218	201022-3218	201022-1218	201022-4218	201022-2218	201022-5218
20	201022-0020	201022-3020	201022-1020	201022-4020	201022-2020	201022-5020
	201022-0120	201022-3120	201022-1120	201022-4120	201022-2120	201022-5120
	201022-0220	201022-3220	201022-1220	201022-4220	201022-2220	201022-5220
22	201022-0022	201022-3022	201022-1022	201022-4022	201022-2022	201022-5022
	201022-0122	201022-3122	201022-1122	201022-4122	201022-2122	201022-5122
	201022-0222	201022-3222	201022-1222	201022-4222	201022-2222	201022-5222
24	201022-0024	201022-3024	201022-1024	201022-4024	201022-2024	201022-5024
	201022-0124	201022-3124	201022-1124	201022-4124	201022-2124	201022-5124
	201022-0224	201022-3224	201022-1224	201022-4224	201022-2224	201022-5224

ASSEMBLY

201022 - X X X X

CKT SIZE
04 = 4 CKTS
24 = 24 CKTS

FINISHES
0 = 0 = 0.05um Au MIN. GOLD ON CONTACT AND 2.00um MIN. MATTE TIN ON SOLDERTAIL OVER 1.27um MIN. NICKEL UNDERPLATE OVERALL
1 = 0.38um Au MIN. GOLD ON CONTACT AND 2.00um MIN. MATTE TIN ON SOLDERTAIL OVER 1.27um MIN. NICKEL UNDERPLATE OVERALL
2 = 0.76um Au MIN. GOLD ON CONTACT AND 2.00um MIN. MATTE TIN ON SOLDERTAIL OVER 1.27um MIN. NICKEL UNDERPLATE OVERALL

PACKAGING TYPE AND TAIL LENGTH
<u>TUBE AND WITHOUT CAP</u>
0 = 1.60 P.TAIL LENGTH
1 = 2.40 P.TAIL LENGTH
2 = 3.00 P.TAIL LENGTH
<u>TUBE AND WITH CAP</u>
3 = 1.60 P.TAIL LENGTH
4 = 2.40 P.TAIL LENGTH
5 = 3.00 P.TAIL LENGTH
<u>TAPE & REEL (NOT TOOLED)</u>
6 = 1.60 P.TAIL LENGTH
7 = 2.40 P.TAIL LENGTH
8 = 3.00 P.TAIL LENGTH

9	8	7	6	5	4	3	2	1
9	8	7	6	5	4	3	2	1

THIS DRAWING CONTAINS INFORMATION THAT IS PROPRIETARY TO MOLEX ELECTRONIC TECHNOLOGIES, LLC AND SHOULD NOT BE USED WITHOUT WRITTEN PERMISSION									
QUALITY SYMBOLS ▽A = 0 ▽E = 0 ▽B = 0 ▽ = 0 ▽C = 0 ⊠ = 0 ■ = 0 ▽ = 0	PRELIM. RELEASE 2016/12/08 2016/12/19 EC NO: 111465 DRWN: SCHEONG CHK'D: KHLIM REV APPR: KHLIM	GENERAL TOLERANCES (UNLESS SPECIFIED)		DIMENSION UNITS	SCALE	molex 1.27MM PITCH SLIM-GRID VERTICAL THROUGH HOLE SHROUDED HEADER			
		ANGULAR TOL ± 3.0 °		MM	NTS				
		4 PLACES ±		DRWN BY	DATE				
		3 PLACES ±		SCHEONG	2016/02/22	PRODUCT CUSTOMER DRAWING			
		2 PLACES ± 0.2		CHK'D BY	DATE				
		1 PLACE ±		GMENARLY	2016/11/18				
		0 PLACES ±		APPR BY	DATE	SERIES MATERIAL NUMBER CUSTOMER 201022 SEE TABLE GENERAL MARKET			
		DRAFT WHERE APPLICABLE MUST REMAIN WITHIN DIMENSIONS		KHLIM	2016/11/24				
		A3		DRAWING SIZE	THIRD ANGLE PROJECTION				
		A1		DOCUMENT NUMBER	DOC TYPE	DOC PART	SHEET NUMBER		
RELEASE STATUS		P1	RELEASE DATE	19.12.2016	16:29:06	2010220024 PSD 000 2 OF 2			