

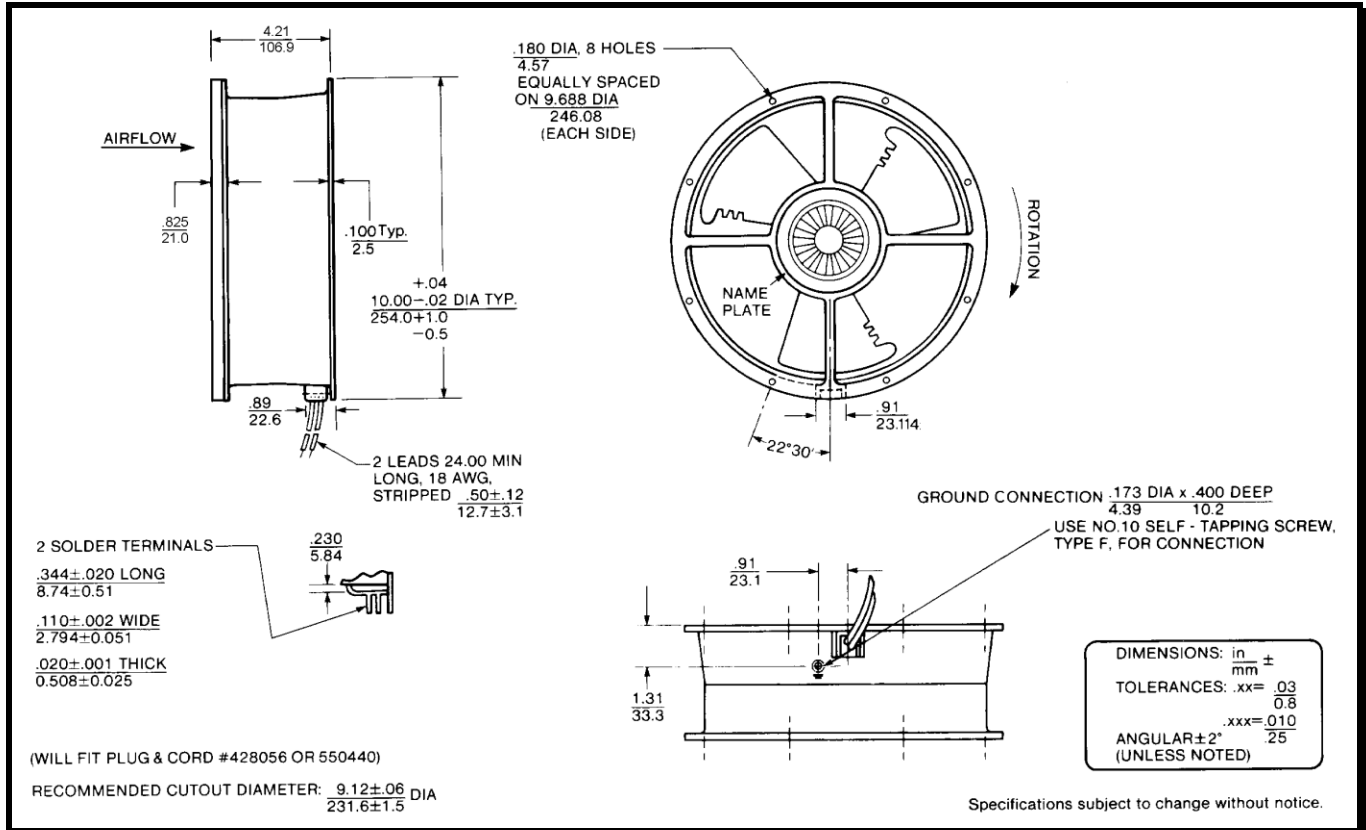
# SPECIFICATIONS



**Model Number:** CLE2L5  
**Part Number:** 19039305A

**Rev:** 02  
**Aug 07, 2018**

## Mechanical Drawing:



### Motor:

Nominal Voltage	= 115 VAC
Frequency	= 50/60 Hz
Nominal Running Current	= 1.11/1.35amps
Max. Locked Rotor Current	= 2.50 amps
Running Power	= 120/150 watts
Average Speed	= 2650/2800 RPM
Bearings	= Ball
Max. Airflow	= 878/950 CFM
Max. Static Pressure	= 0.50/0.57inch H <sub>2</sub> O
Acoustic	= 62.1/63.3 dBA

### Construction:

Venturi: Aluminum, Black.  
 Propeller: Plastic, Black, UL 94V-0

### Life Expectancy:

This fan is designed for continuous duty life of 45,000 hours at 60°C.

### Additional Features:

- Permanent Split Capacitor Motor
- Automatic Reset Thermal Protector
- Automatic Restart Capability
- Operating Temperature: -10°C to 70°C
- Storage Temperature: -40°C to 85°C

### Termination:

24" Lead wires, 18 AWG, UL 1015

### Agency Approvals:

UL, CUL, CE

**PQ Curve:**

