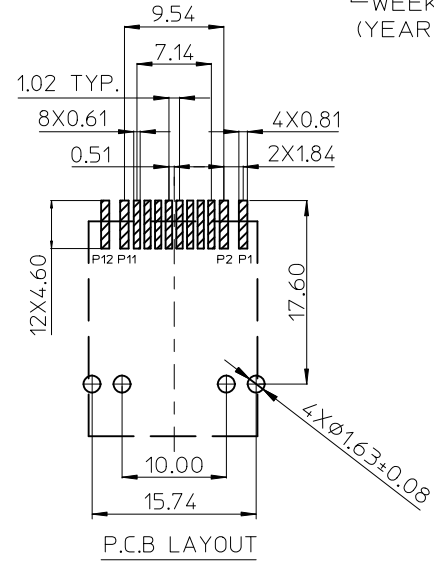
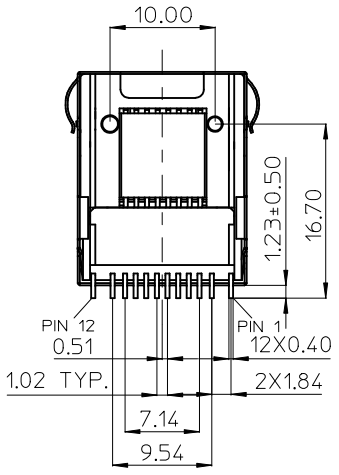
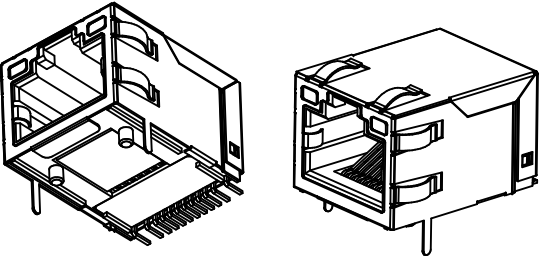


- NOTES:
- MATERIAL:
METAL SHELL: BRASS
HOUSING: HIGH TEMP THERMOPLASTIC, UL94-0,COLOR:BLACK
INSERT: HIGH TEMP THERMOPLASTIC, UL94-0,COLOR:BLACK
TERMINAL: PHOSPHOR BRONZE
 - PLATING:
TERMINAL:
CONTACT AREA: SEE PART NUMBER LEGEED
SOLDER TAIL: TIN(Sn), THICKNESS=100 MICROINCH MINIMUM.
UNDER PLATE: NICKEL (Ni).
 - METAL SHELL:
SOLDER TAIL: TIN(Sn), THICKNESS=100 MICROINCH MINIMUM.
UNDER PLATE: NICKEL (Ni),(SOLDERING AVAILABLE)
SURFACE APPEARANCE: BRIGHT.
 - FOR IR REFLOW PROCESS, TIN PLATED AREA.
 - RECOMMENDED PCB THICKNESS: 1.60±0.05
 - PRODUCT SPECIFICATION REFER TO PS-48074-002
 - TEST SUMMARY REFER TO TS-48074-002
 - PACKAGING SPECIFICATION REFER TO PK-48074-001
 - RETENTION FORCE: 30 lbf.
 - COPLANARITY: 0.10 MAX
 - LEAD FREE AND ROHS COMPLIANT PRODUCT



P/N	CONTACT PLATING
48074-9001	30 MICROINCH
48074-9004	GOLD FLASH
48074-9005	15 MICROINCH

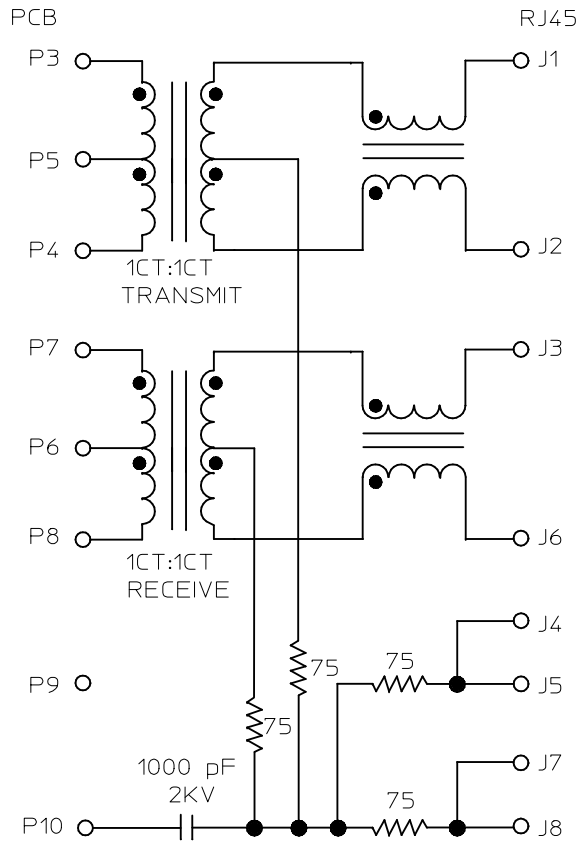


ADD NEW P/N	2012/01/11
EC NO: SH2012-0218	
DRW:RL 109	2012/01/11
CHKD:	
APPR:RZHIANG	2012/01/31
REV	DESCRIPTION

QUALITY SYMBOLS	▽=0
	▽=1
	▽=0
	ANGULAR ± 3 °
	DRAFT WHERE APPLICABLE MUST REMAIN WITHIN DIMENSIONS

GENERAL TOLERANCES (UNLESS SPECIFIED)	
mm	INCH
4 PLACES ± --- ± ---	
3 PLACES ± --- ± ---	
2 PLACES ± 0.25 ± ---	
1 PLACE ± 0.25 ± ---	
DRAWN BY: RL109	
CHECKED BY:	
APPROVED BY:	
MATERIAL NO. SEE TABLE	
SIZE: A3	

DIMENSION STYLE	SCALE	DESIGN UNITS	THIRD ANGLE PROJECTION
MM ONLY	1:1	METRIC	
TITLE: MODULAR JACK WITH LED & INTEGRATED MAGNETICS SMT TYPE			
MOLEX INCORPORATED			SHEET NO. 1 OF 2
DOCUMENT NO. SD-48074-002			
THIS DRAWING CONTAINS INFORMATION THAT IS PROPRIETARY TO MOLEX INCORPORATED AND SHOULD NOT BE USED WITHOUT WRITTEN PERMISSION			

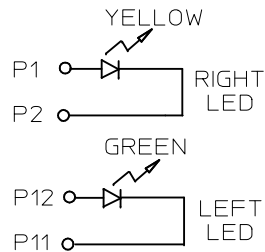


MAGNETIC SCHEMATIC

MAGNETIC ELECTRICAL SPECIFICATION

PARAMETER	SPECIFICATIONS		
INSERTION LOSS	100 KHz		
	1.0 dB MAX.		
RETURN LOSS (Z OUT=100 OHM±15%)	1-10 MHz	30 MHz	60-80 MHz
	20 dB MIN	16 dB MIN	12 dB MIN
CROSSTALK	1-10 MHz	30-60 MHz	60-100 MHz
	40 dB MIN	35 dB MIN	30 dB MIN
COMMON MODE REJECTION RATIO	1-50 MHz	50-130 MHz	
	30 dB MIN	20 dB MIN	
HIPOT	@60 Hz, 1 MIN		
	1500 Vrms		

NOTE:f IS FREQUENCY IN MHZ.



LED SCHEMATIC

LED ELECTRICAL SPECIFICATION

PARAMETER	YELLOW (TYP.)	GREEN (TYP.)	UNITS	TEST CONDITIONS
POWER DISSIPATION	105	105	mW	
REVERSE VOLTAGE	5	5	V	
PEAK WAVELENGTH	590	565	nm	IF=20mA
FORWARD VOLTAGE	2.1	MAX.=2.5	2.2	MAX.=2.5 V IF=20mA

SEE SHEET 1 EC NO: SH2012-0218 DRW:RL109 2012/01/11 CHKD: APPR:RZHANG 2012/01/31	QUALITY SYMBOLS	GENERAL TOLERANCES (UNLESS SPECIFIED)	DIMENSION STYLE MM ONLY	SCALE 1:1	DESIGN UNITS METRIC	THIRD ANGLE PROJECTION
	$F_A=0$	mm INCH	DRAWN BY RL109	DATE 2012/01/11	TITLE MODULAR JACK WITH LED & INTEGRATED MAGNETICS SMT TYPE	
	$F_B=0$	4 PLACES ± --- ± ---	CHECKED BY	DATE	APPROVED BY	
	$F_C=0$	3 PLACES ± --- ± ---	APPROVED BY		DATE	
$F_D=0$	2 PLACES ± 0.25 ± ---	1 PLACE ± 0.25 ± ---	ANGULAR ± 3°		MATERIAL NO.	
	DRAFT WHERE APPLICABLE MUST REMAIN WITHIN DIMENSIONS		SEE TABLE		DOCUMENT NO. SD-48074-002	
			SIZE A3	THIS DRAWING CONTAINS INFORMATION THAT IS PROPRIETARY TO MOLEX INCORPORATED AND SHOULD NOT BE USED WITHOUT WRITTEN PERMISSION		