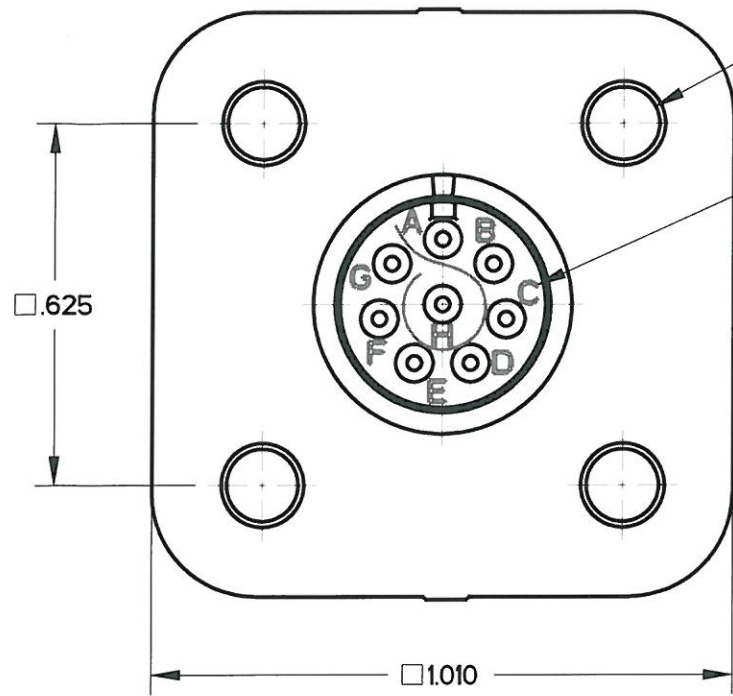
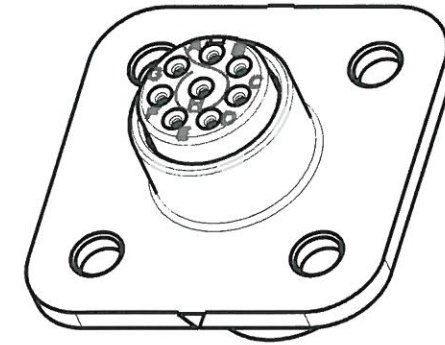


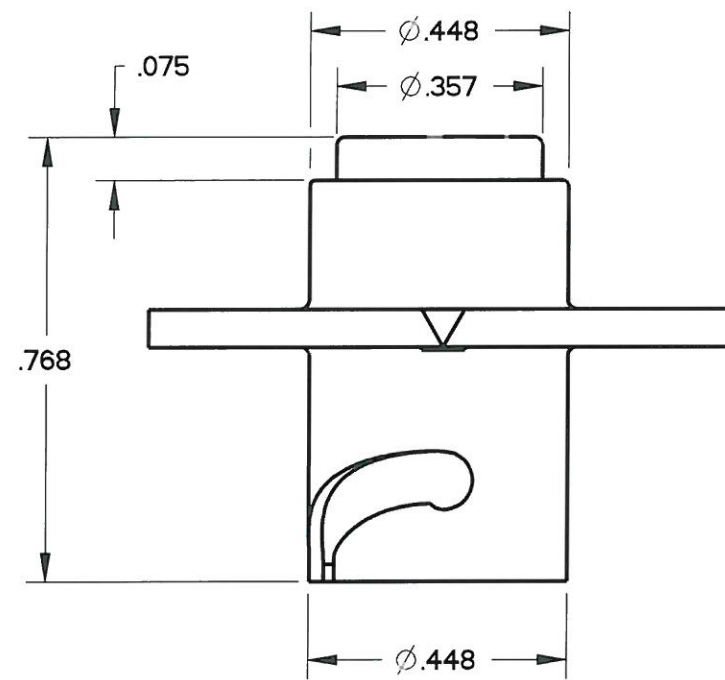
REV	ECN	APP'D
-	6716	<i>[Signature]</i>



4X Ø.125 THRU HOLES  
GROMMET MARKING  
.040 HIGH CHARACTERS  
COLOR: CONTRASTING

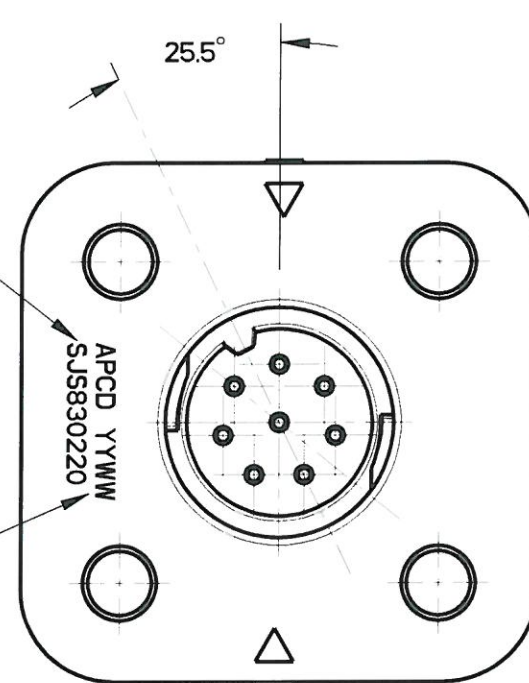


SCALE 2:1

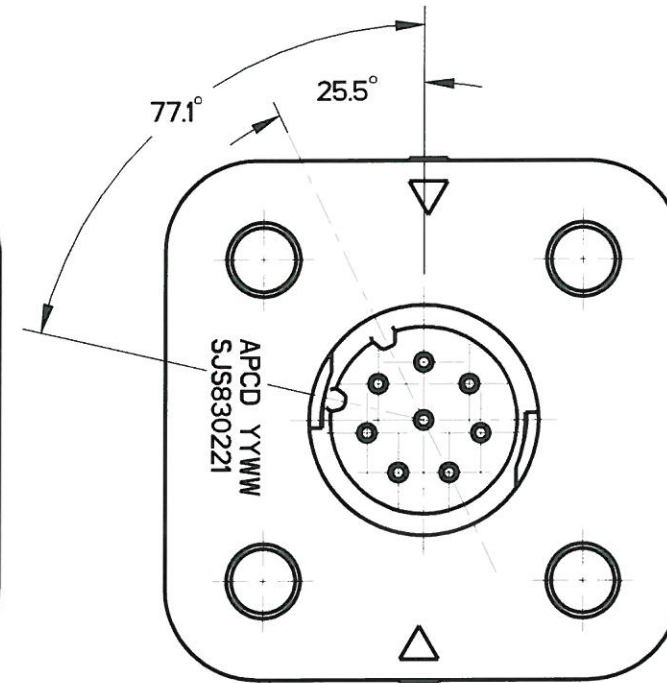


PART MARKING  
COLOR: SEE TABLE 1

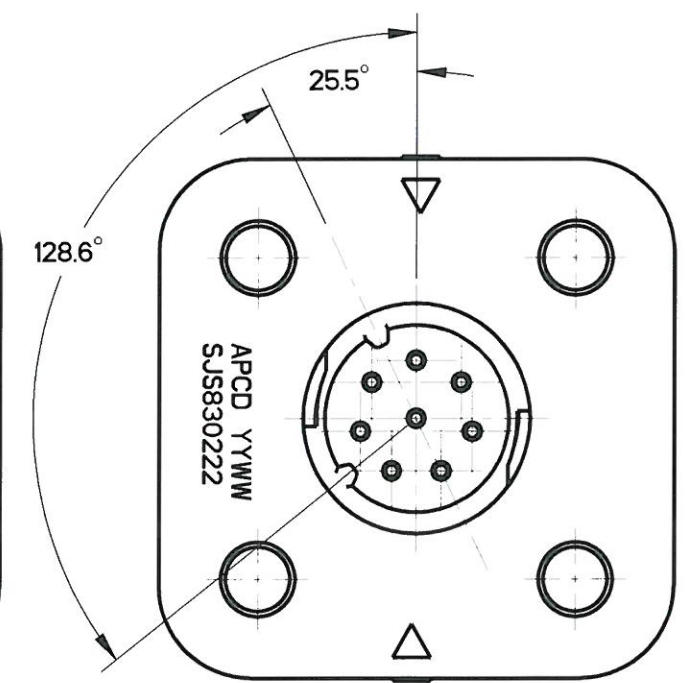
DATE CODE



KEY A (BLACK)



KEY B (GREEN)



KEY C (YELLOW)

PART NUMBER SCHEME			
APCD P/N	HOUSING COLOR	MARKING COLOR	KEY CONFIGURATION
SJS830220	BLACK	WHITE	A
SJS830221	GREEN	BLACK	B
SJS830222	YELLOW	BLACK	C

- NOTES:  
1. MATERIALS:  
HOUSING: PA6/6  
CONTACT RETAINER: STAINLESS STEEL  
GROMMET: SILICONE RUBBER PER A-A-59588, COLOR: RED  
2. ACCEPTS M39029/58-360 PIN CONTACTS (NOT INCLUDED)  
3. PART MATES WITH SJS83010X

DIMENSIONS ANSI Y14.5M UNITS: INCHES Pro/E FILE	TOLERANCES .XX ±0.01 .XXX ±0.005 ANGLES ±2.0°	PROJECTION 	<b>Amphenol Pcd</b> SPECIFICATION DRAWING ENGR WESLEY YU, 22-Mar-11	TITLE SJS, PANEL MOUNT RECEPTACLE 8 POSITION, SIZE 22 SHELL SIZE 7		
ORIGINAL 	THIS DOCUMENT CONTAINS PROPRIETARY INFORMATION WHICH IS THE CONFIDENTIAL PROPERTY OF AMPHENOL PCD INC., BEVERLY, MA		CHKD <i>[Signature]</i> 9/2/11	SIZE <b>B</b>	DWG NO. <b>SJS830220_CE</b>	REV -
CODE: 58982				SCALE: 3:1	SHEET 1 OF 1	

SJS830220