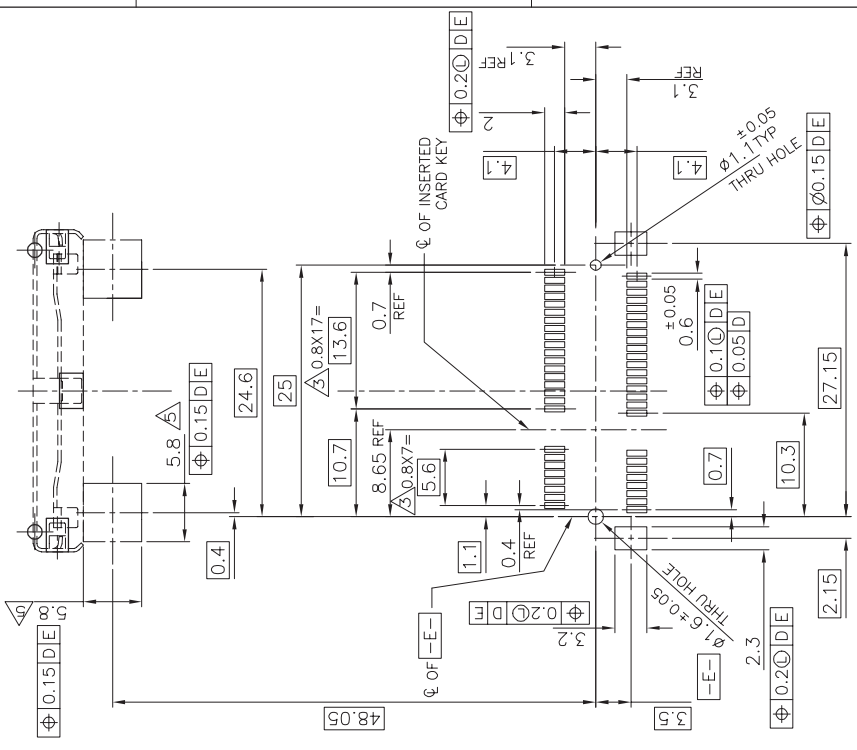
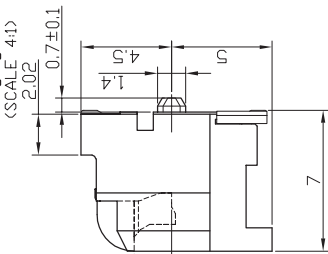
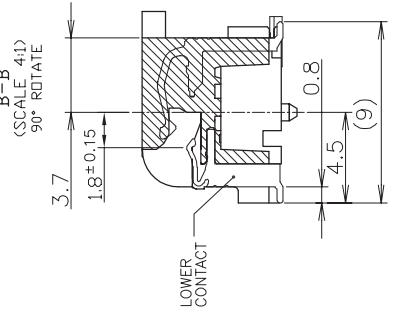
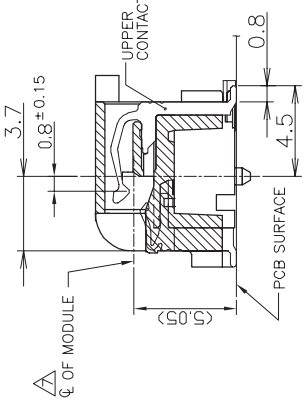
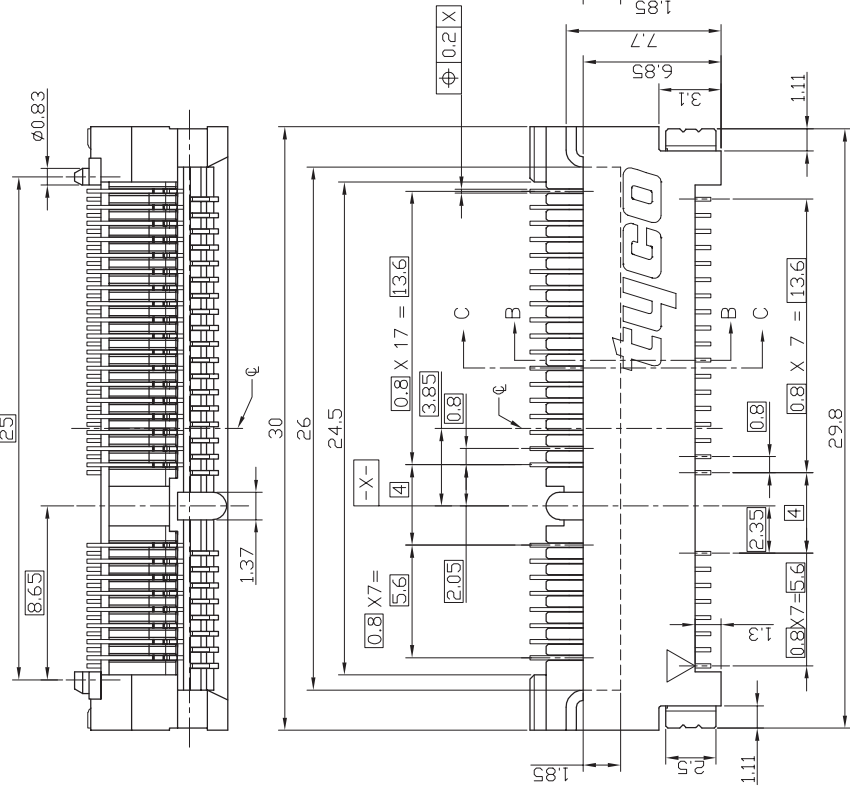


P	LTR	DESCRIPTION	DATE	DWN	AP'D
D		REVISED (ECR-06-025491)	27OCT06	B.W	S.Y

- NOTE
- MATERIAL : HOUSING : HIGH TEMPERATURE THERMO PLASTIC UL94V-0
 COLOR:BLACK
 CONTACT : COPPER-ALLOY
 SOLDER PEG : COPPER-ALLOY
 SOLDER FLASH ON CONTACT AREA,
 FINISH : CONTACT : GOLD PLATE, ALL OVER NICKEL
 ALL OVER NICKEL
 - SOLDER PEG : TIN PLATE, ALL OVER NICKEL
 - TOLERANCES NON-CUMMURATIVE
 - [E-B] IS THE TOP SURFACE OF PCB.
 - COMPONENT KEEP OUT AREA BASED ON MINI PCI EXPRESS SPECIFICATION
 1.0 CANDIDATE DRAFT (V1)
 - THE MATING LATCH : 1827682-1
 - THE FLOATING VALUE BY SOLDERING IS NOT INCLUDED.



REFERENTIAL P.C.BOARD LAYOUT (SCALE 2:1)

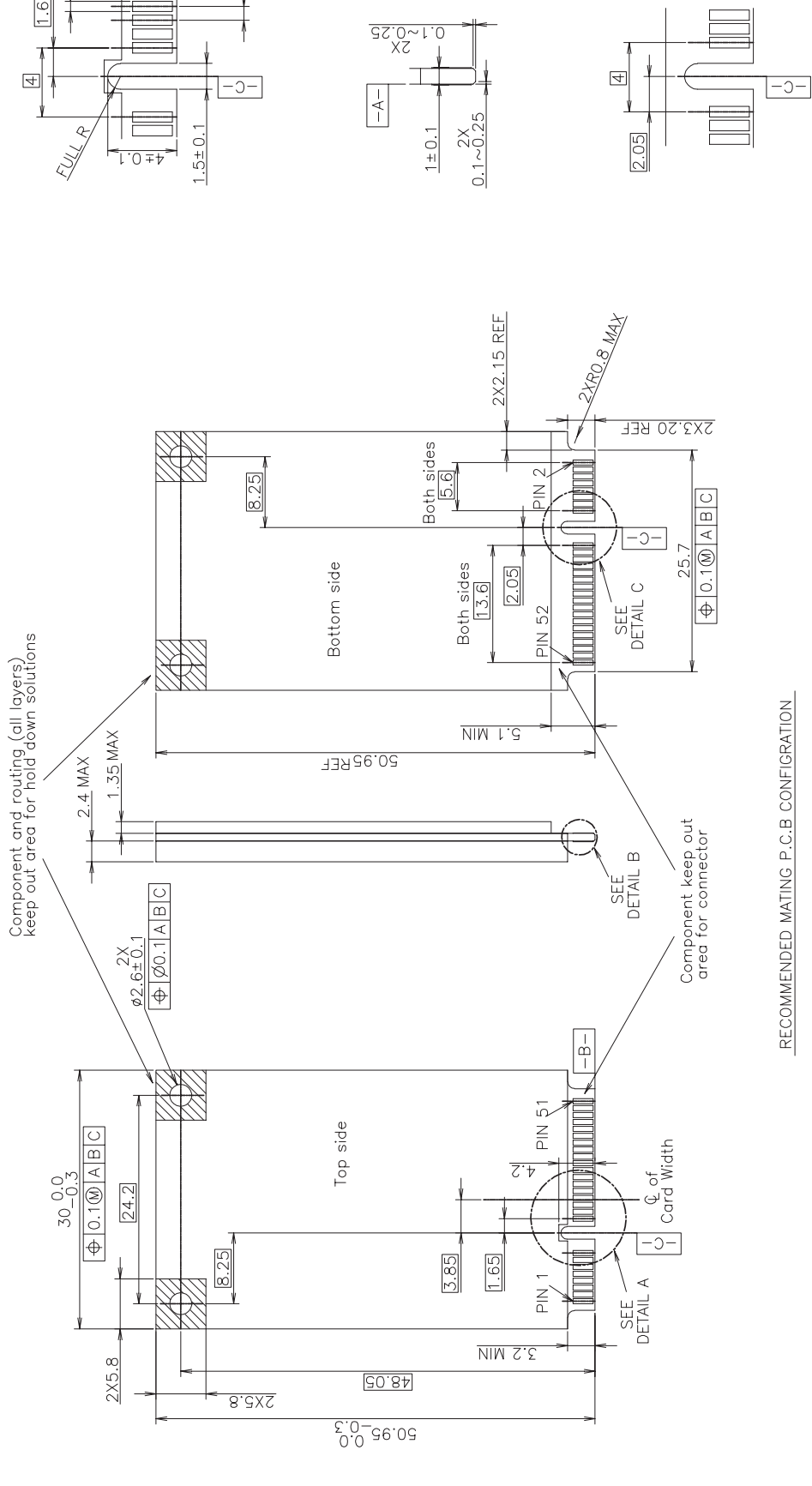


DWN T.KAWAMAE		01JUL05	Tyco Electronics AMP K.K.	
CHK T.SASAKI		01JUL05	Kawasaki, Japan	
AP'D T.SASAKI		01JUL05	NAME	
PRODUCT SPEC		108-78302	EMBOSS TAPE SUPPLY	
APPLICATION SPEC			MINI PCI EXPRESS CONNECTOR ASSEMBLY	
WEIGHT			RESTRICTED TO	
CUSTOMER DRAWING			-	
DIMENSIONS: MM			DRAWING NO	
SEE NOTE			A3 00779 C=1827680	
SEE NOTE			SCALE 4:1	
SEE NOTE			SHEET 1 OF 3	
SEE NOTE			REV	
SEE NOTE			D	

THIS DRAWING IS UNPUBLISHED. JUL 2005. RELEASED FOR PUBLICATION BY TYCO ELECTRONICS CORPORATION. ALL RIGHTS RESERVED.

LOC	J	DIST	
P	LTR	DATE	DWN
SEE SHEET 1			

REVISIONS	DESCRIPTION	DATE	DWN	APVD
SEE SHEET 1				



RECOMMENDED MATING P.C.B CONFIGURATION

NOTES
 1. PCI EXPRESS MINI CARD PCB THICKNESS 1.0mm.
 2. CARD THICKNESS APPLIES ACROSS TABS AND INCLUDES PLATING AND/OR METALIZATION.
 3. BEVEL MUST BE FREE OF CUTTING BURRS.

DWN	CHK	APVD	PRODUCT SPEC	APPLICATION SPEC	WEIGHT	CUSTOMER DRAWING		
—	—	—	—	—	—	—		
THIS DRAWING IS A CONTROLLED DOCUMENT.						TOLERANCES UNLESS OTHERWISE SPECIFIED:		
DIMENSIONS: MM						0 PLC ±		
Ø						1 PLC ±		
PLC						2 PLC ±		
PLC						3 PLC ±		
PLC						4 PLC ±		
MATERIAL						FINISH		
TOLERANCES UNLESS OTHERWISE SPECIFIED:						1.2 ± 0.2		
1.008 ± 0.2						1.008 ± 0.3		
ANGLES						± 3°		
Tyco Electronics AMP K.K.						Tyco Electronics AMP K.K.		
Kawasaki, Japan						Kawasaki, Japan		
EMBOSS TAPE SUPPLY						EMBOSS TAPE SUPPLY		
MINI PCI EXPRESS CONNECTOR ASSEMBLY						MINI PCI EXPRESS CONNECTOR ASSEMBLY		
SIZE						DRAWING NO		
A3						A3 00779		
CAGE CODE						1827680		
RESTRICTED TO						—		
SCALE						2:1		
SHEET						2 of 3		
REV						D		

4

3

2

1

THIS DRAWING IS UNPUBLISHED.
 © COPYRIGHT 2005 BY TYCO ELECTRONICS CORPORATION.
 JUL 2005.
 ALL RIGHTS RESERVED.

LOC J
 DIST

REVISIONS
 DESCRIPTION
 DATE
 DWN
 APVD

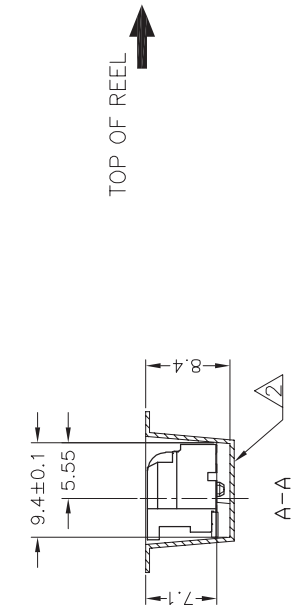
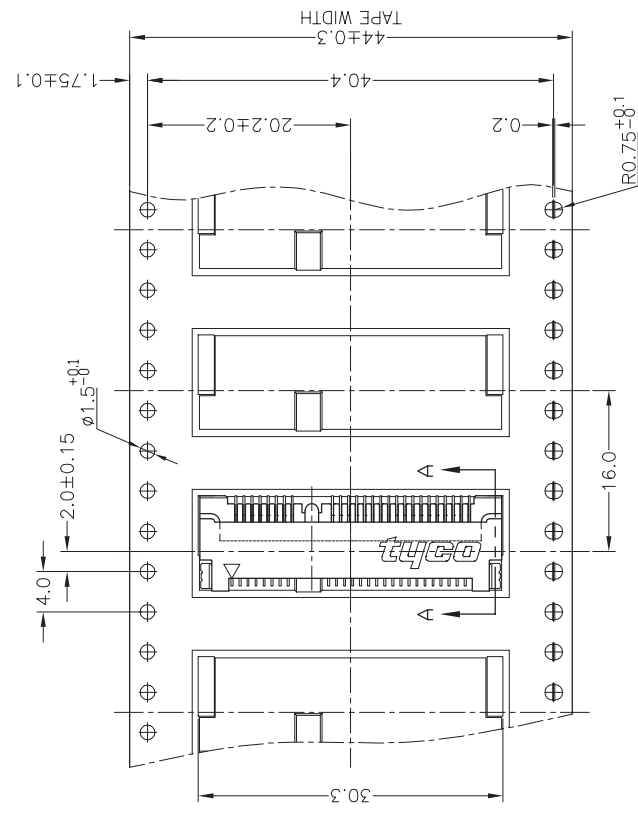
P LTR
 - SEE SHEET 1

D

C

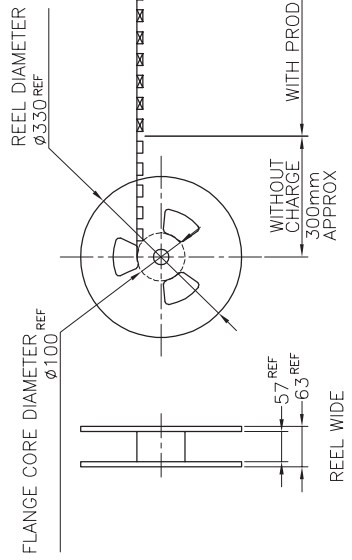
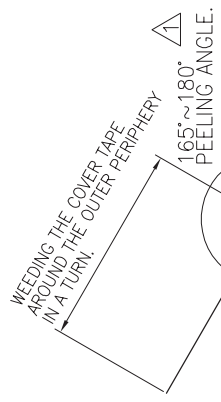
B

A



TOP OF REEL

1 PEELING RESISTANCE : 0.1N~1.3N
 (10gf~130gf)
 SPEED : 300mm/min



WITHOUT CHARGE 300mm APPROX
 WITH PRODUCT CHARGE 300mm APPROX
 12 HOLES
 WITHOUT CHARGE 300mm APPROX

400EA	912125-1	1827680-1
QTY/REEL	EMBOSS TAPE P/N	P/N

THIS DRAWING IS A CONTROLLED DOCUMENT.		DWN	---
DIMENSIONS: MM		CHK	---
TOLERANCES UNLESS OTHERWISE SPECIFIED:		APVD	---
0 PLC	±	PRODUCT SPEC	---
1 PLC	±	APPLICATION SPEC	---
2 PLC	±	WEIGHT	---
3 PLC	±	CUSTOMER DRAWING	
4 PLC	±	SCALE 2:1 SHEET 3 OF 3 REV 3	
ANGLES	±	RESTRICTED TO	
FINISH	±	---	
MATERIAL		---	
tyco Electronics AMP K.K. Kawasaki, Japan		---	
EMBOSS TAPE SUPPLY		---	
MINI PCI EXPRESS CONNECTOR ASSEMBLY		---	
SIZE	CAGE CODE	DRAWING NO	---
A3	00779	1827680	---