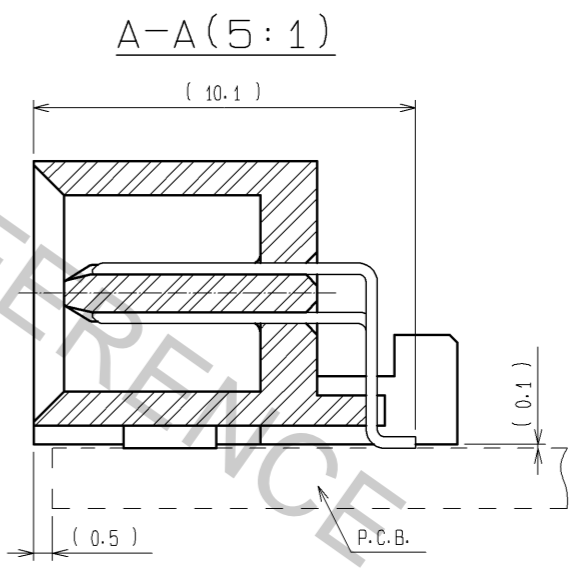


RECOMMENDED P.C.B. LAND PATTERN  
 MOUNT SIDE (THICKNESS OF APPLICABLE BOARD:  $t=1.6 \pm 0.1$ )  
 (RECOMMENDED METAL MASK THICKNESS: 0.15mm)



NOTE 1. LEAD CO-PLANARITY SHALL BE 0.1mm MAX.  
 2. THE DIMENSIONS IN PARENTHESES ARE FOR REFERENCE.

| 3                                    | BRASS                 | TIN-PLATING            | 2        | BRASS                         | CONTACT AREA : GOLD 0.2#m min.   |         |      |
|--------------------------------------|-----------------------|------------------------|----------|-------------------------------|----------------------------------|---------|------|
| 1                                    | POLYPHENYLENE SULFIDE | LIGHT BROWN (UL94V-0)  |          |                               | LEAD AREA : TIN-PLATING 2#m min. |         |      |
|                                      |                       |                        |          |                               | UNDER PLATING : NICKEL 1#m min.  |         |      |
| NO.                                  | MATERIAL              | FINISH . REMARKS       | NO.      | MATERIAL                      | FINISH . REMARKS                 |         |      |
| UNITS                                | ⊙                     | SCALE                  | COUNT    | DESCRIPTION OF REVISIONS      | DESIGNED                         | CHECKED | DATE |
| mm                                   |                       | 2 : 1                  | △        |                               |                                  |         |      |
| <b>HRS</b> HIROSE ELECTRIC CO., LTD. |                       | APPROVED : HS. OKAWA   | 09.04.02 | DRAWING NO. EDC3-150361-21    |                                  |         |      |
|                                      |                       | CHECED : HT. YAMAGUCHI | 09.04.02 | PART NO. FX2A-60P-0.635SH(71) |                                  |         |      |
|                                      |                       | DESIGNED : SY. KAMIGA  | 09.04.02 | CODE NO. CL572-2775-7-71      |                                  |         |      |
|                                      |                       | DRAWN : HK. SUNADORI   | 09.04.02 |                               |                                  | 1/1     |      |