

NOTES:

1. MATERIAL:  
BODY - BRONZE (GUN METAL)
2. PARTS ARE cULus LISTED TO UL467 AS  
GROUNDING & BONDING EQUIPMENT.
3. SEE WWW.PANDUIT.COM FOR PART NUMBER  
SUFFIX DESIGNATION FOR PACKAGE SIZE.

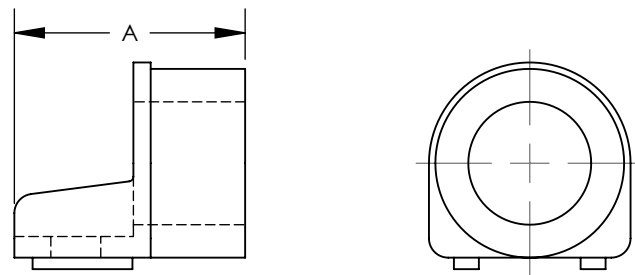


FIGURE 1

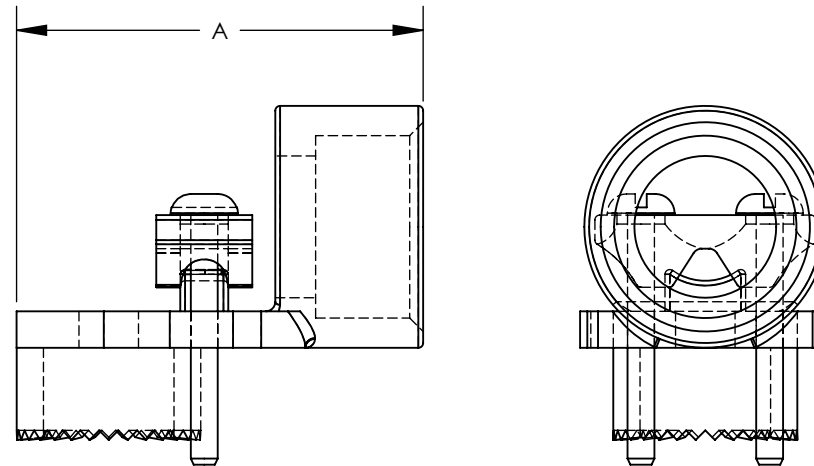


FIGURE 4

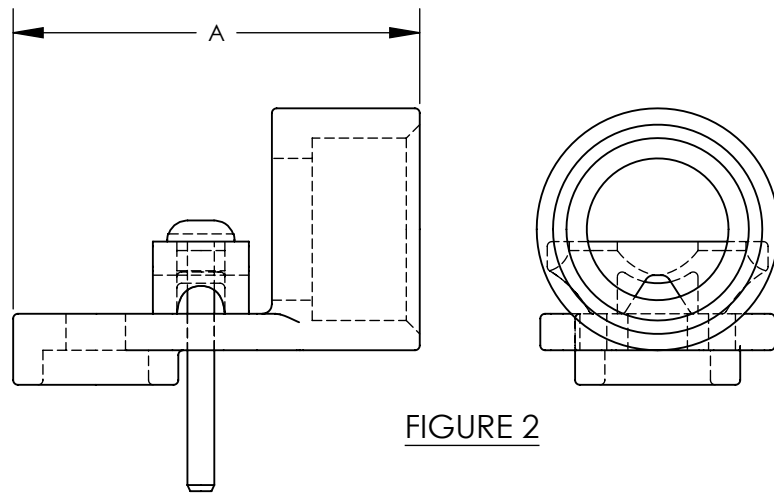


FIGURE 2

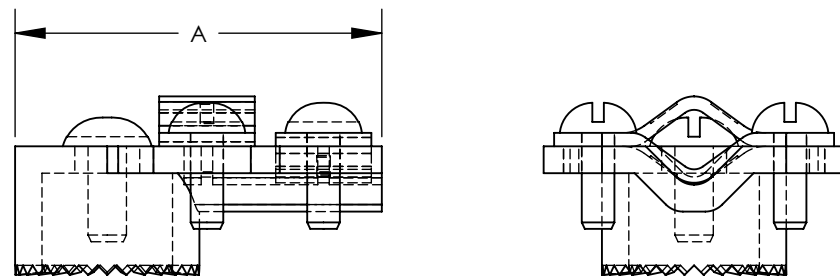


FIGURE 3

PART NUMBER	FIGURE	DESCRIPTION	WATER PIPE	GROUNDING WIRE	DIMENSIONS IN [mm] +/- .05 [1.3]
					A
GHC4-12	1	COPPER CONDUIT HUB	1/2"	8 - 4 STR	1.27 [32.3]
GHC4-34	1	COPPER CONDUIT HUB	3/4"	8 - 4 STR	1.51 [38.4]
GHC4-1	1	COPPER CONDUIT HUB	1"	8 - 4 STR	1.61 [40.9]
GHC2/0-12	2	COPPER GUILLOTINE TYPE CONDUIT HUB	1/2"	2/0 - 10 STR	1.98 [50.3]
GHC2/0-34	2	COPPER GUILLOTINE TYPE CONDUIT HUB	3/4"	10 - 2/0 STR	2.14 [54.4]
GHC3/0-1	2	COPPER GUILLOTINE TYPE CONDUIT HUB	1"	10 - 3/0 STR	2.16 [54.9]
GHCH4/0	3	HEAVY DUTY HUB FOR G SERIES PIPE CLAMP	N/A	N/A	1.89 [48.0]
GHCH2/0-12	4	COPPER GUILLOTINE TYPE CONDUIT HUB 360 DEG.	1/2"	10 - 2/0 STR	2.30 [58.4]
GHCH3/0-34	4	COPPER GUILLOTINE TYPE CONDUIT HUB 360 DEG.	3/4"	10 - 3/0 STR	2.42 [61.5]
GHCH3/0-1	4	COPPER GUILLOTINE TYPE CONDUIT HUB 360 DEG.	1"	10 - 3/0 STR	2.39 [60.7]

REV	DATE	BY	CHK	APR	DESCRIPTION	ECN
01	9/12	JHNU	SRBI	RGB	REVISED FIGURE 2 TO SHOW SCREWS	10J018AX-JC
00	7/12	JHNU	SRBI	RGB	DRAWING RELEASED	10J018AX-JC

TITLE		CONDUIT HUBS CUSTOMER DRAWING	
ITEM REVISION NAME	10J018AX/01		
DATASET FILE NAME	10J018AX-JC/01.SLDDRW		
UNLESS OTHERWISE SPECIFIED, DIMENSIONAL TOLERANCES ARE: IN [mm]		MATERIAL	
.X ±	.XXX ±	SEE NOTES	
.XX ±	ANGLES ±	DRAWING NUMBER 10J018AX-JC	
THIRD ANGLE PROJECTION		SHEET 1 OF 1	
DRAWN BY	DATE	CHK	SCALE
JHNU	7/12	SRBI	N/A
SIZE		B	