

THIS DRAWING IS UNPUBLISHED.

RELEASED FOR PUBLICATION

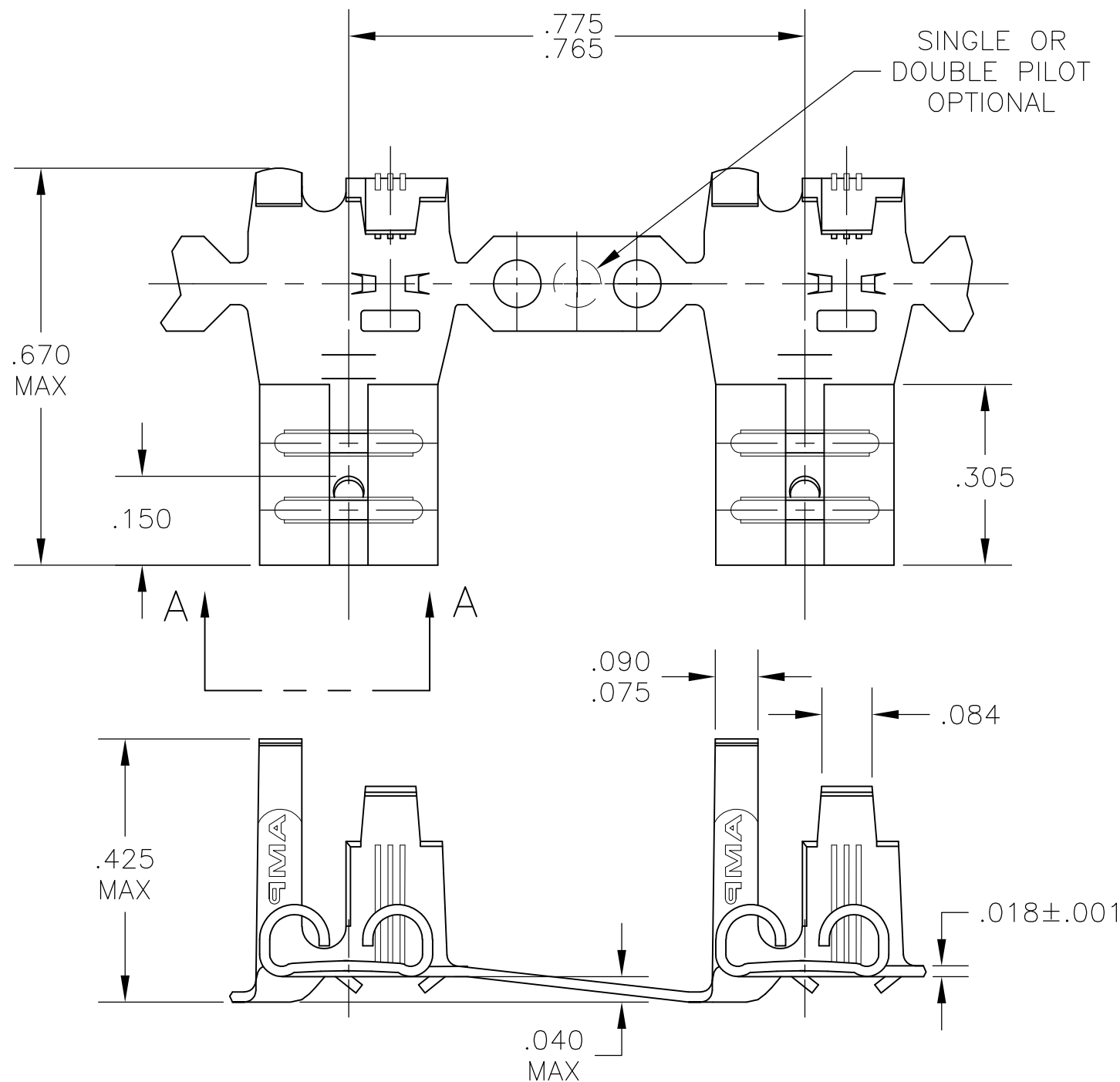
ALL RIGHTS RESERVED.

© COPYRIGHT - By -

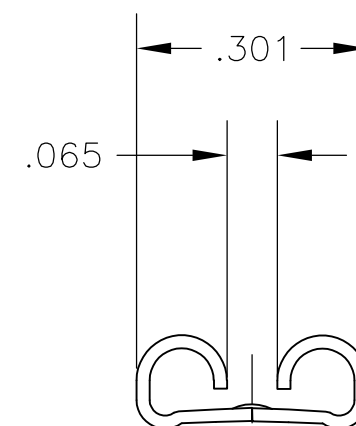
LOC AF DIST 50

REVISIONS

P	LTR	DESCRIPTION	DATE	DWN	APVD
	AA	REVISED PER ECR-12-013445	18OCT12	KH	PD




- 1 CONTINUOUS STRIP ON REELS
- 2 MATING TAB THK IS .032±.001.
- 3 WIRE SIZE IS #18-#12 AWG
- 4 INSULATION RANGE IS .110-.210 DIA.



VIEW A-A

NICKEL	#2H STEEL	41531-1
-	BRASS	41531
FINISH	MATERIAL	PART NO.

THIS DRAWING IS A CONTROLLED DOCUMENT.		DWN JR RUTH 18OCT02	 <b>TE Connectivity</b> NAME RECEPTACLE, FLAG, FASTON, .250 SERIES						
DIMENSIONS: INCHES		CHK P DESANTIS 18OCT02				SIZE	CAGE CODE	DRAWING NO	RESTRICTED TO
TOLERANCES UNLESS OTHERWISE SPECIFIED: 0 PLC ± - 1 PLC ± - 2 PLC ± - 3 PLC ± .015 4 PLC ± - ANGLES ± -		APVD P DESANTIS 18OCT02				A300779		C-41531	-
MATERIAL SEE TABLE		PRODUCT SPEC -				CUSTOMER DRAWING		SCALE 4:1	SHEET 1 OF 1
FINISH SEE TABLE		APPLICATION SPEC -				REV AA			