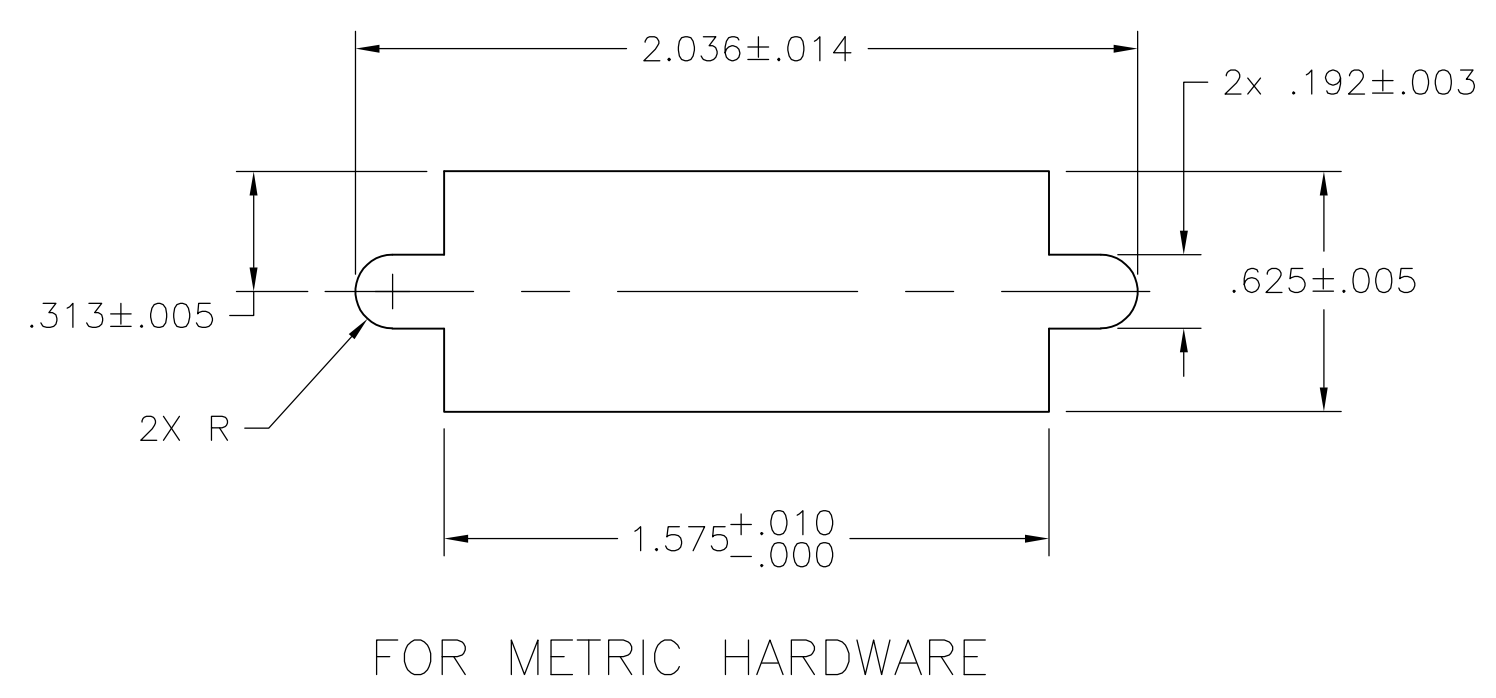
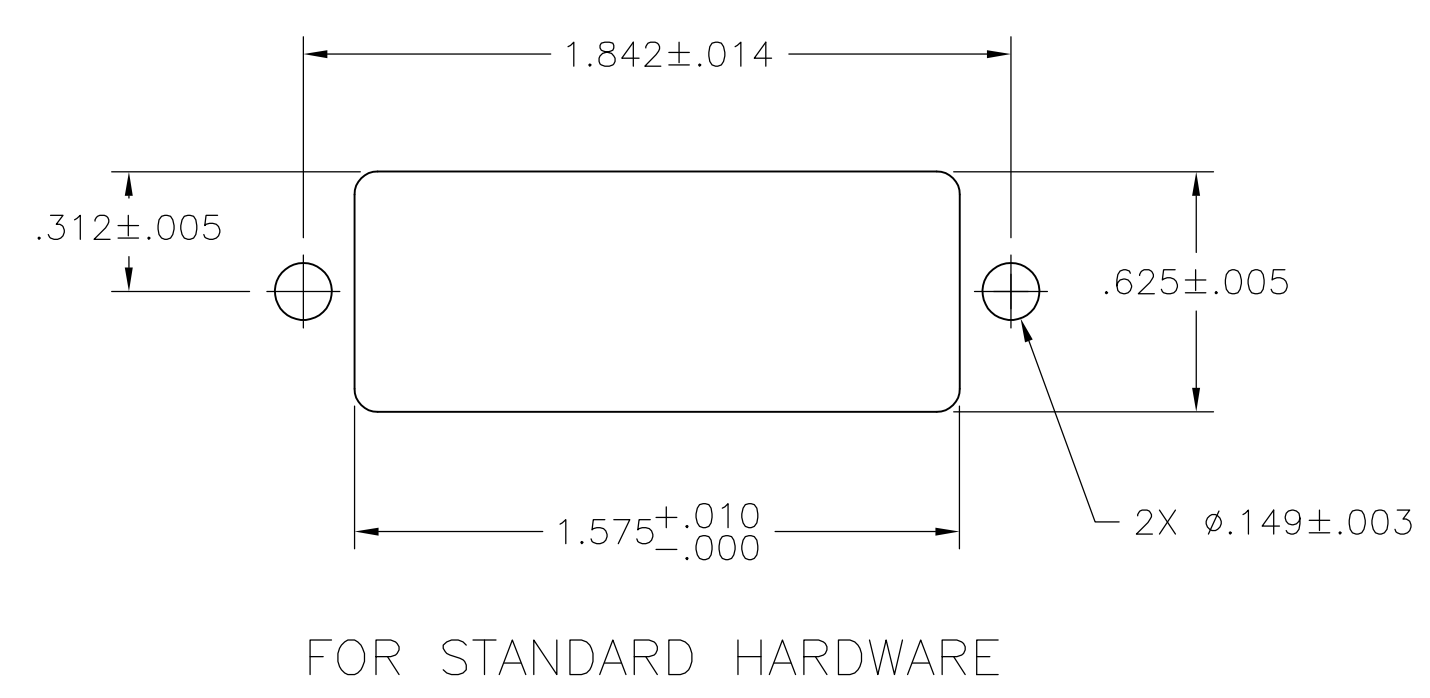
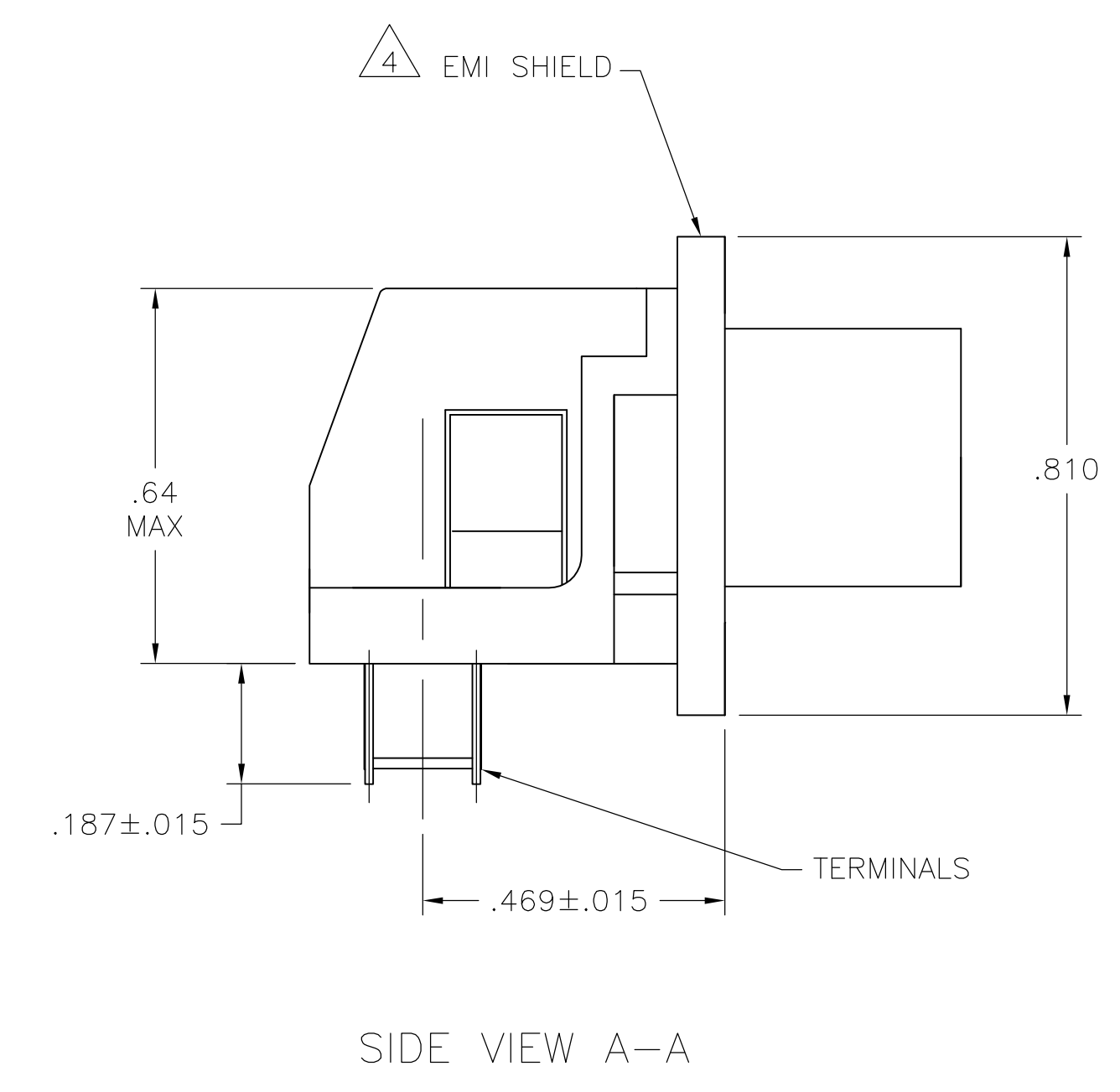
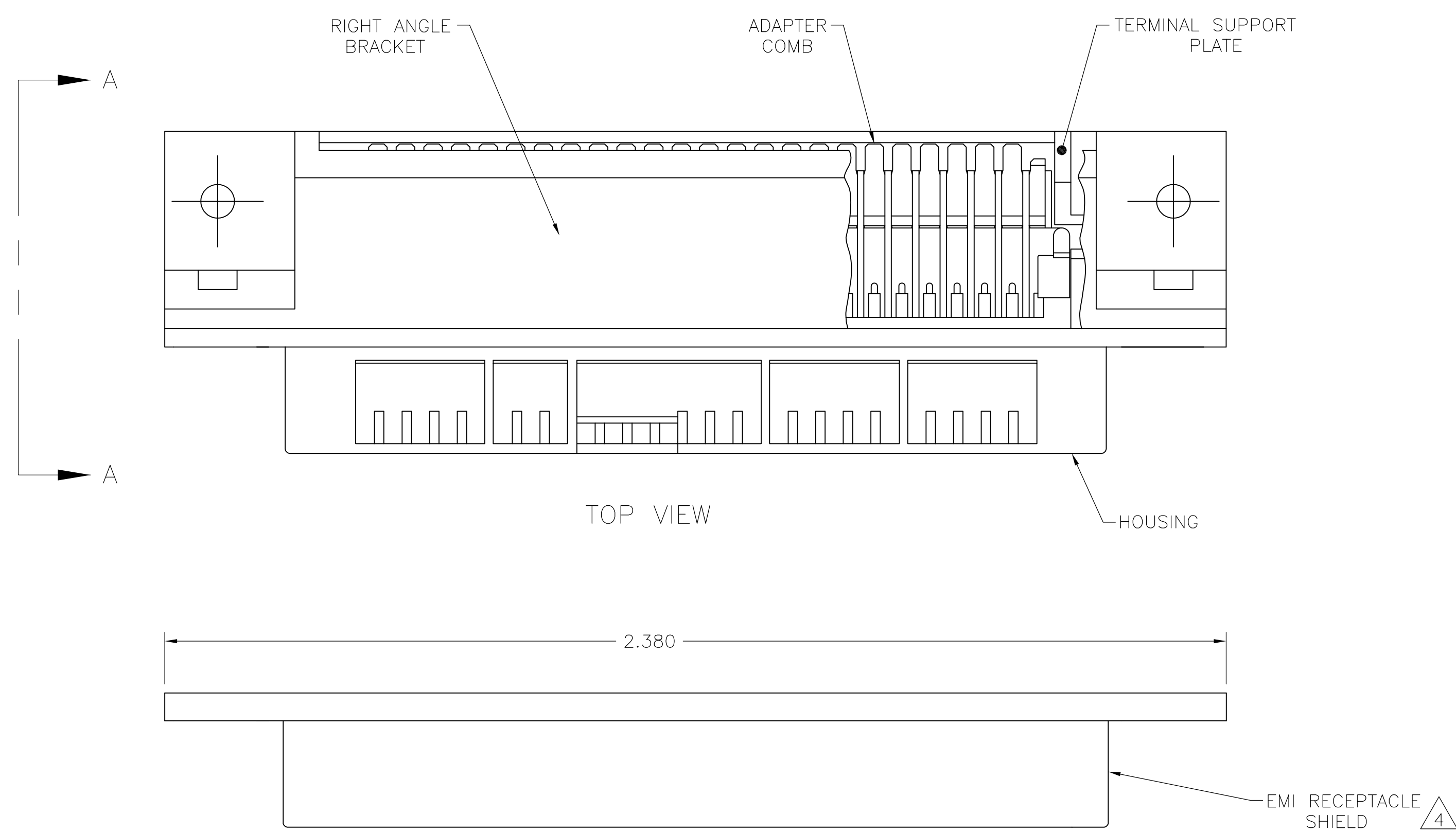


- $\triangle 1$  MATERIAL:  
HOUSING, RIGHT ANGLE BRACKET, ADAPTER COMB AND SUPPORT PLATE: THERMOPLASTIC, BLACK.  
EMI SHIELD: BRIGHT NICKEL OVER COPPER PLATED DIE CASTING.  
TERMINALS - HIGH STRENGTH COPPER ALLOY PLATED WITH EITHER .000030 MIN GOLD PLATE OR GOLD FLASH OVER PALLADIUM NICKEL PLATE, .000030 MIN TOTAL ON MATING SURFACE. .000120 MIN TIN PLATE ON TAILS, ALL OVER .000050 MIN NICKEL UNDERPLATE OVER ENTIRE TERMINAL.
2. THE CONTACT SURFACES OF THE TERMINALS ARE COATED WITH LUBRICANT.
3. CENTER-TO-CENTER SPACING OF TERMINALS IS .085.
- $\triangle 4$  EMI RECEPTACLE SHIELD NOT ASSEMBLED.
5. ALL DIMENSIONS SHOWN ARE FOR REFERENCE ONLY UNLESS OTHERWISE SPECIFIED.
- $\triangle 6$  TERMINAL 1 IS LOCATED IN THIS ROW FOR STANDARD ORIENTATION, SEE DETAIL A.
- $\triangle 7$  DETAIL A IS SHOWN FROM MATING SIDE OF RECEPTACLE ASSEMBLY.



SUGGESTED PANEL CUTOUT FOR REAR PANEL MOUNTING

SEE DETAIL A	5553119-1
DESCRIPTION	PART NUMBER

THIS DRAWING IS A CONTROLLED DOCUMENT.		DIN 9138	18AUG05	Tyco Electronics Corporation Harrisburg, PA 17105-3608	
DIMENSIONS: INCHES		0.1	18AUG05	NAME: W. MILLHIMES	
TOLERANCES UNLESS OTHERWISE SPECIFIED:		0.1	18AUG05	NAME: M. WALMSEY	
0. PLC	±	0.1	18AUG05	PRODUCT SPEC	
1. PLC	±	0.1	18AUG05	APPLICATION SPEC	
2. PLC	±	0.1	18AUG05	SIZE	
3. PLC	±	0.1	18AUG05	WEIGHT	
4. PLC	±	0.1	18AUG05	CUSTOMER DRAWING	
ANGLES	±	0.1	18AUG05	SCALE: 2:1	
FINISH		1	18AUG05	SHEET 1 OF 1	
MATERIAL		1	18AUG05	REV B	