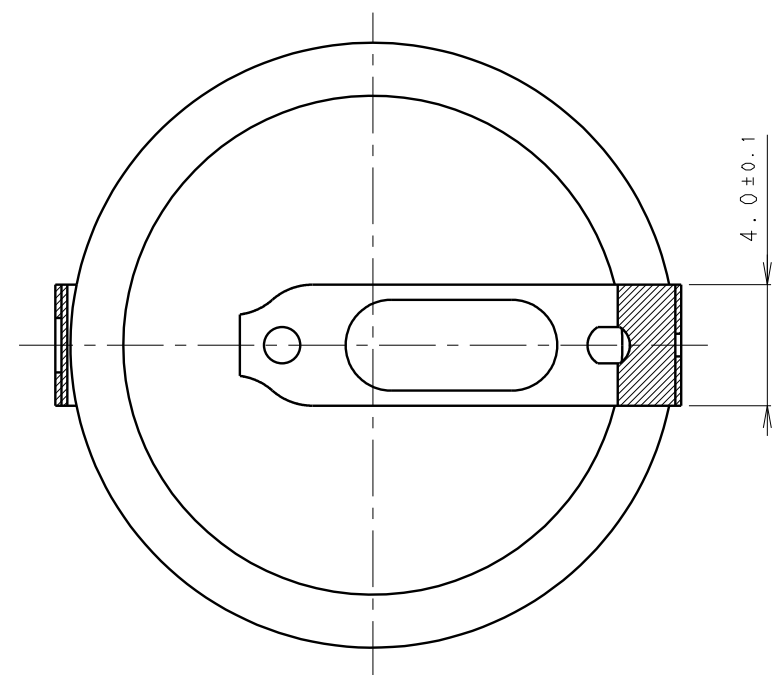
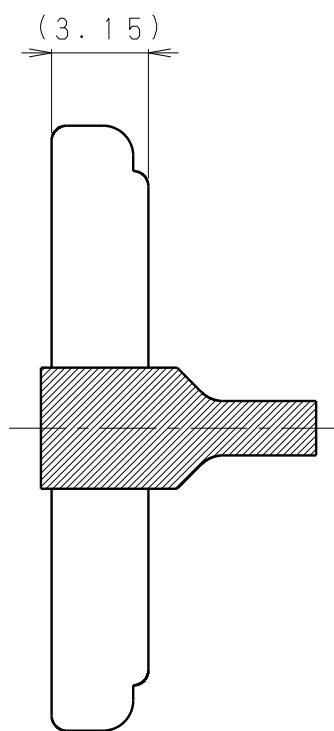
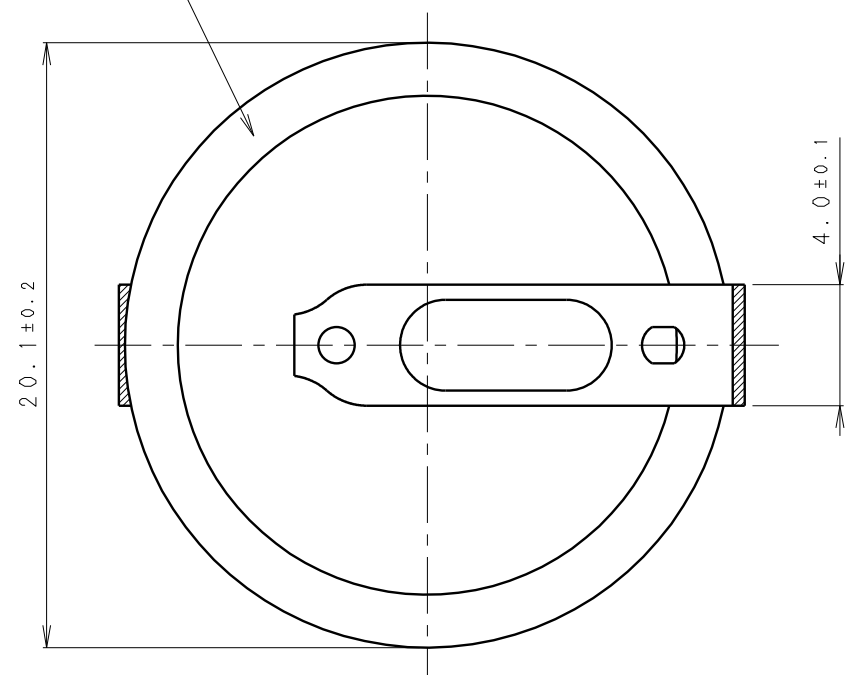
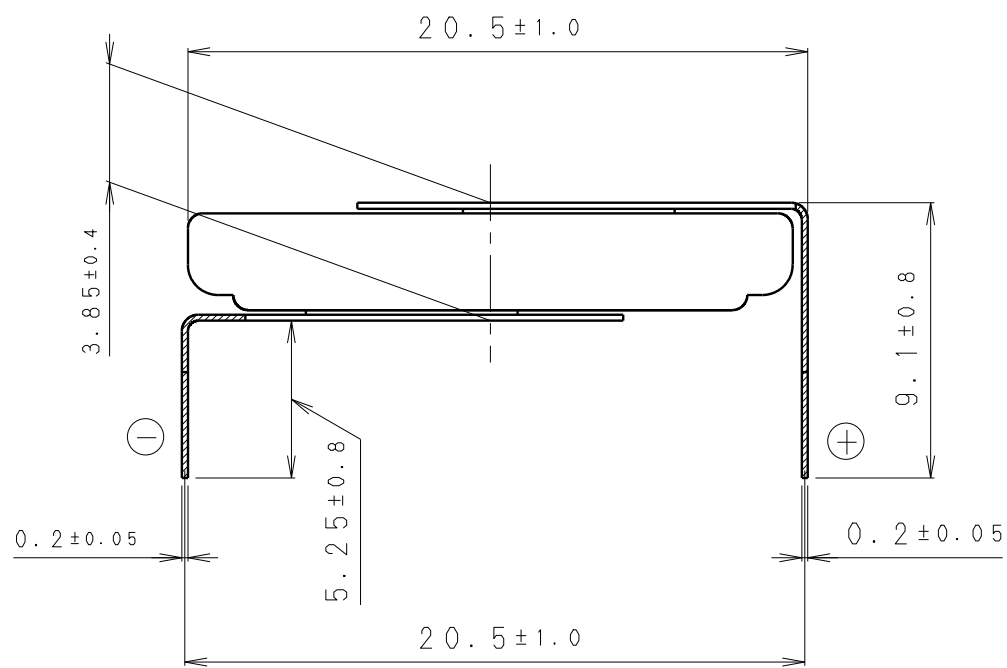
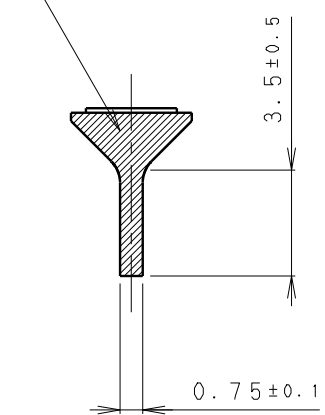


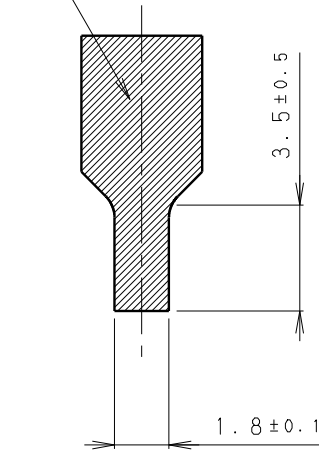
INSULATOR (YELLOW)
[絶縁チューブ (黄色)]



TIN PLATING
[Snメッキ]



TIN PLATING
[Snメッキ]

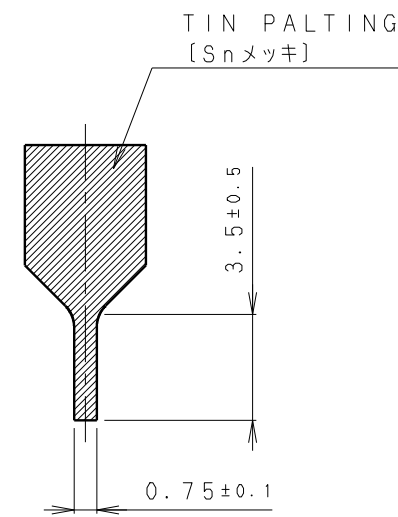
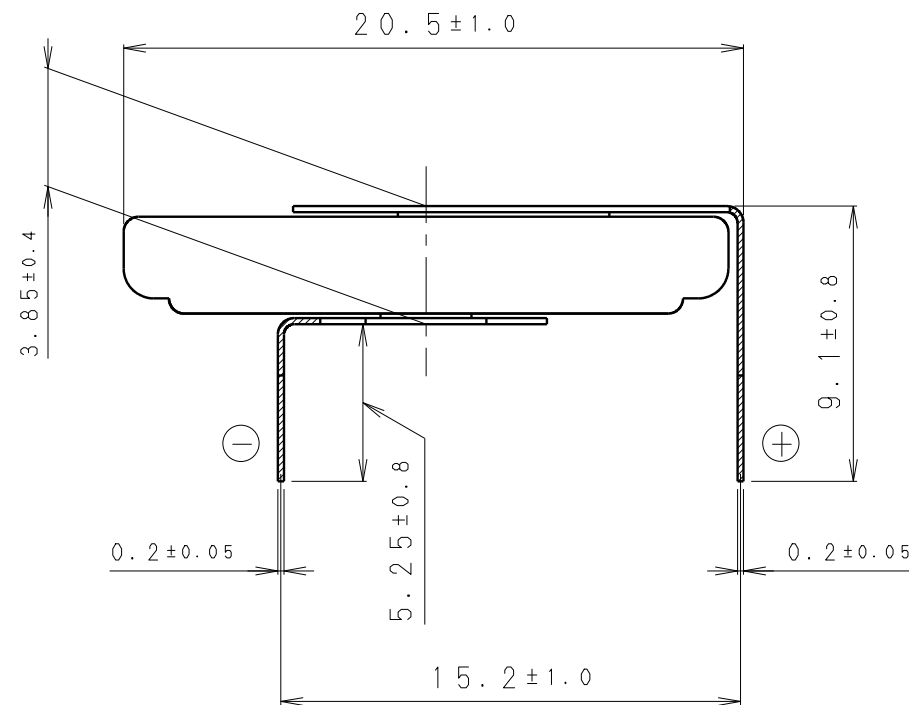
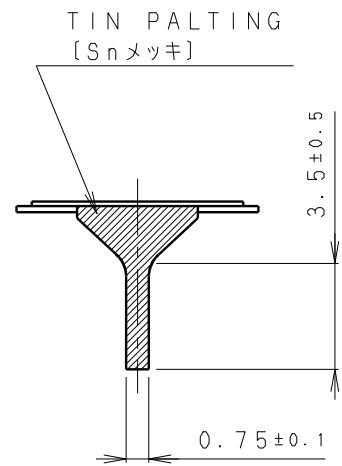
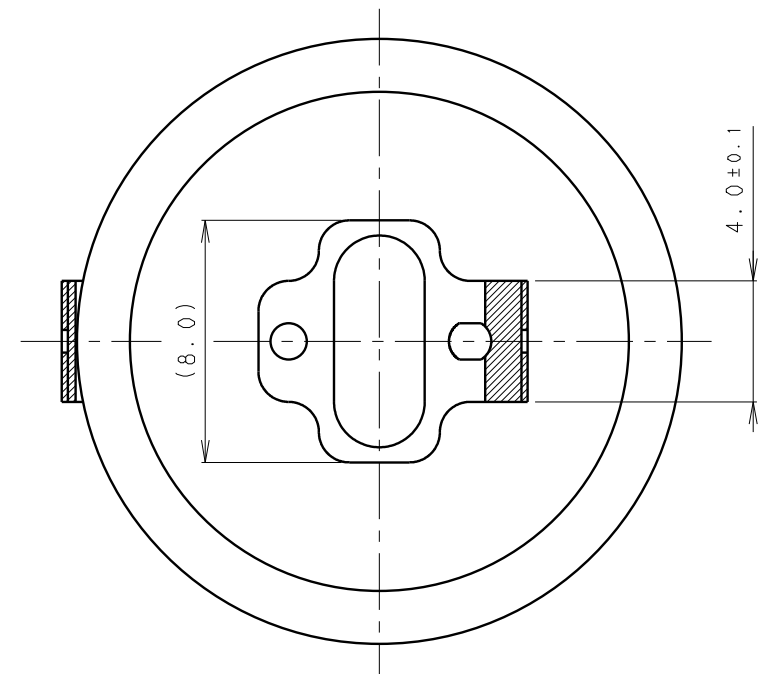
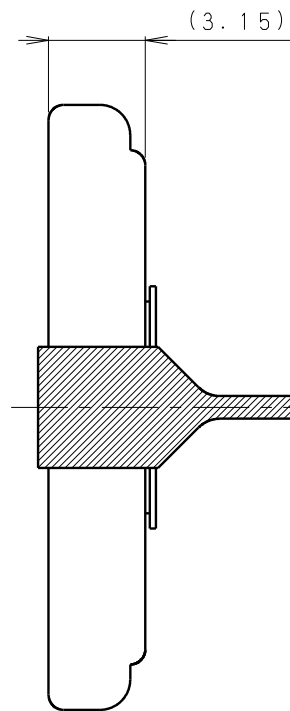
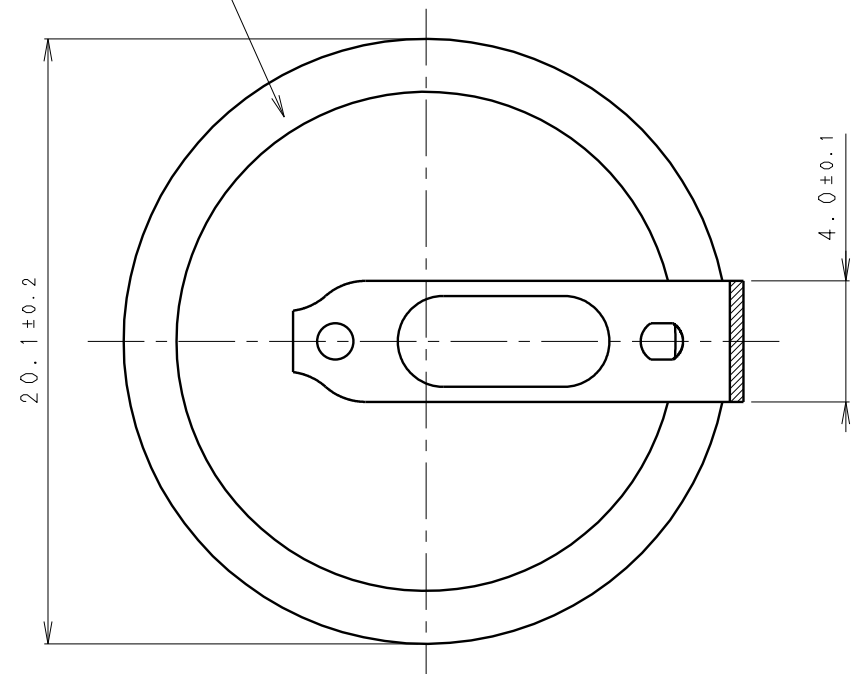


* NOTE [注記]

1. TAB PULLING STRENGTH OVER 19.6N [端子溶接強度: 19.6N以上]
2. TAB MATERIAL: STAINLESS STEEL WITH TIN PLATING [端子材料: 基材 ステンレス/表面 部分Snメッキ]
3. (): REFERENCE DIMENSION AND ANGLE [() 寸法、角度は参考値]

PRODUCT NO.	CR-2032/HF1N	SCALE	
		4:1	
DRAWING NO.	PMHC1Z	REV.	UNIT:mm
		0	

INSULATOR (YELLOW)
[絶縁チューブ (黄色)]

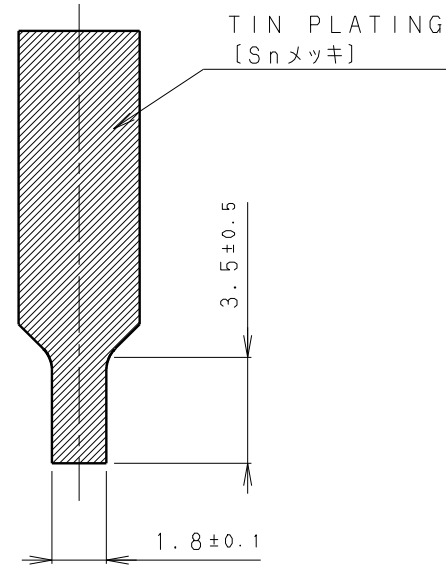
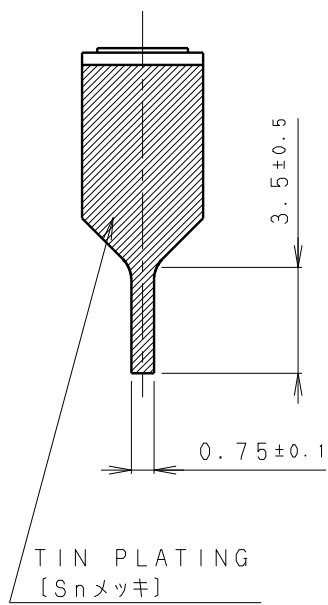
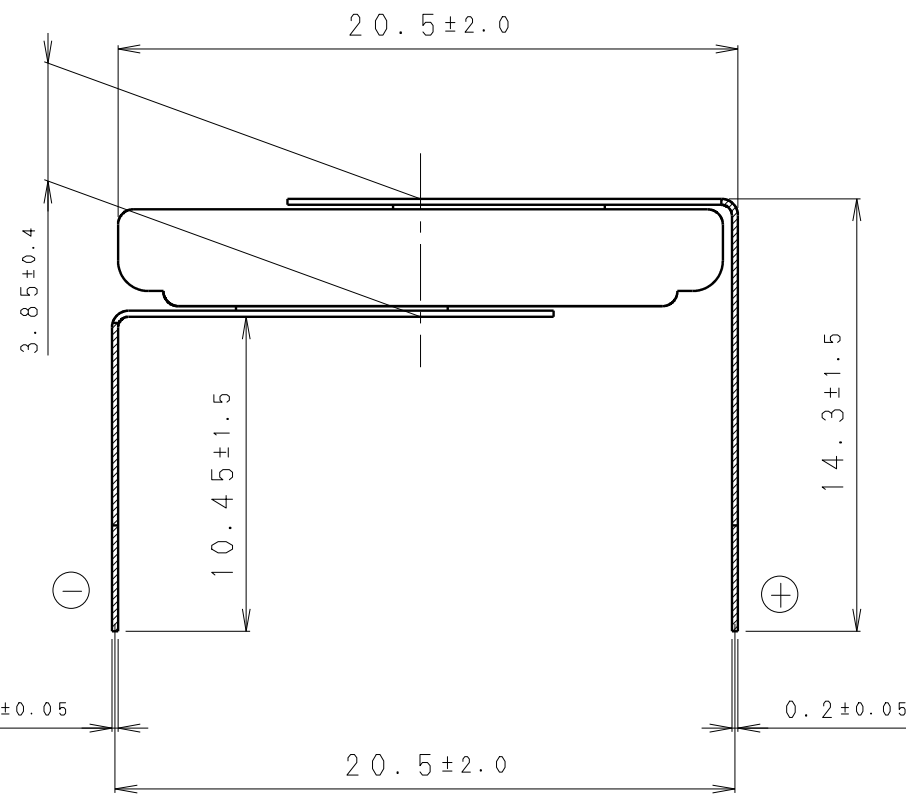
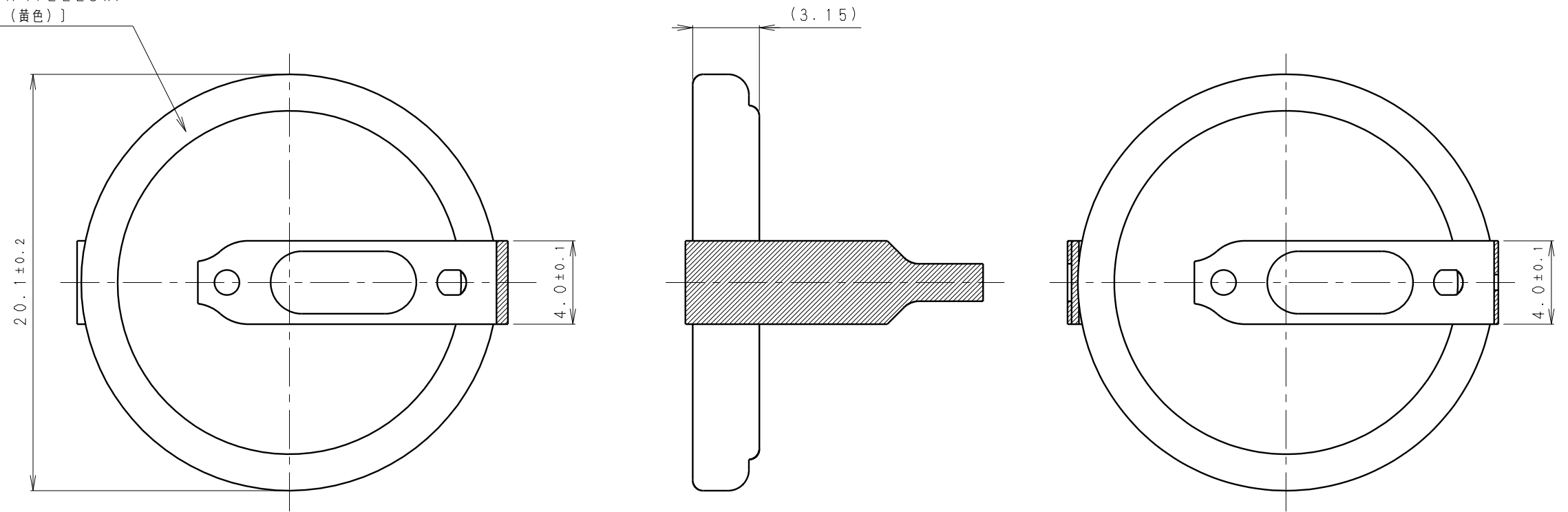


* NOTE [注記]

1. TAB PULLING STRENGTH OVER 19.6N [端子溶接強度: 19.6N以上]
2. TAB MATERIAL: STAINLESS STEEL WITH TIN PLATING [端子材料: 基材 ステンレス/表面 部分Snメッキ]
3. (): REFERENCE DIMENSION AND ANGLE [() 寸法、角度は参考値]

PRODUCT NO.	CR-2032/HSN	SCALE	4:1
DRAWING NO.	PMHJ1Z	REV.	0
			UNIT: mm

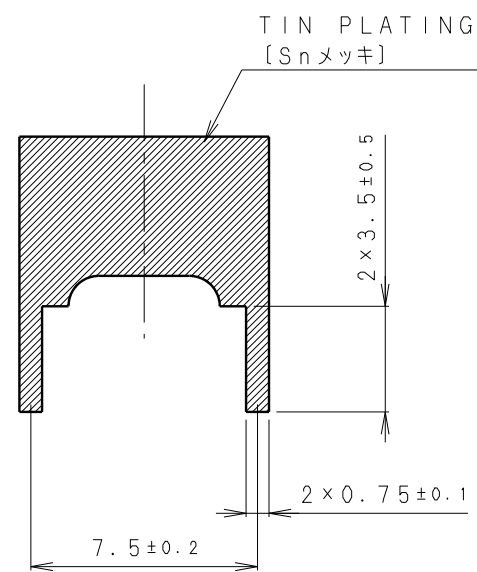
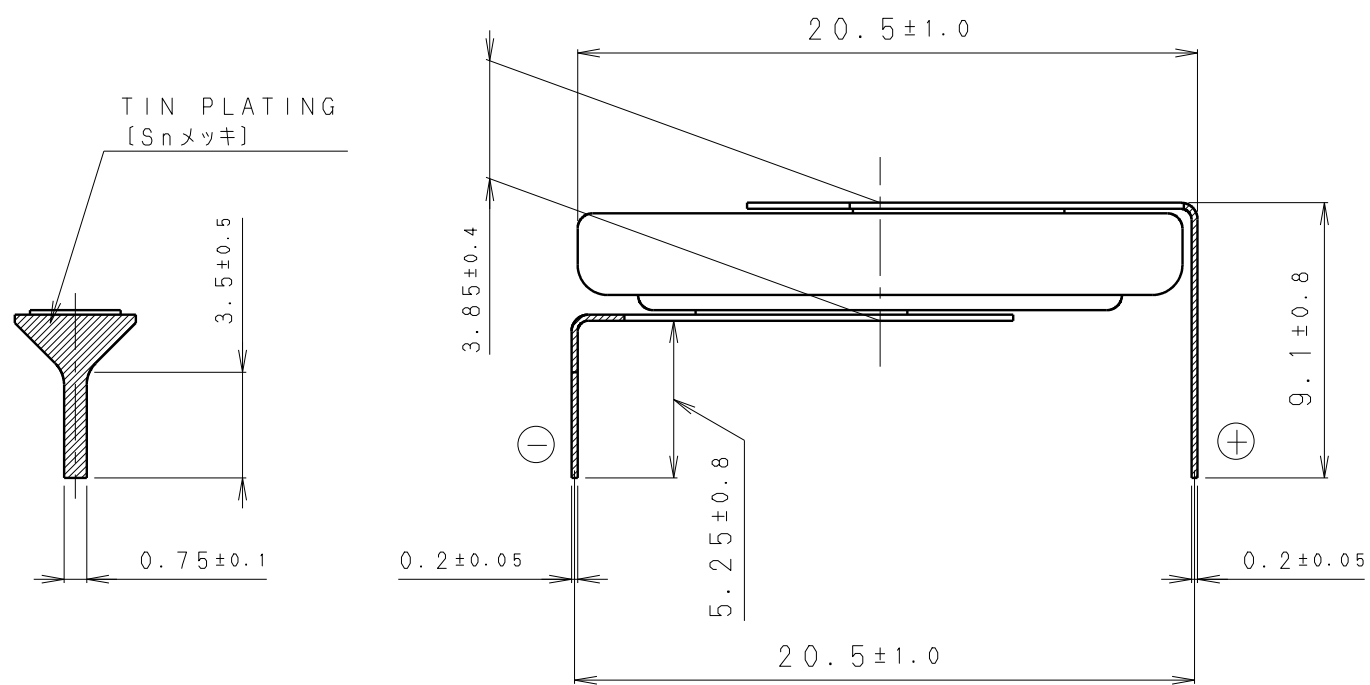
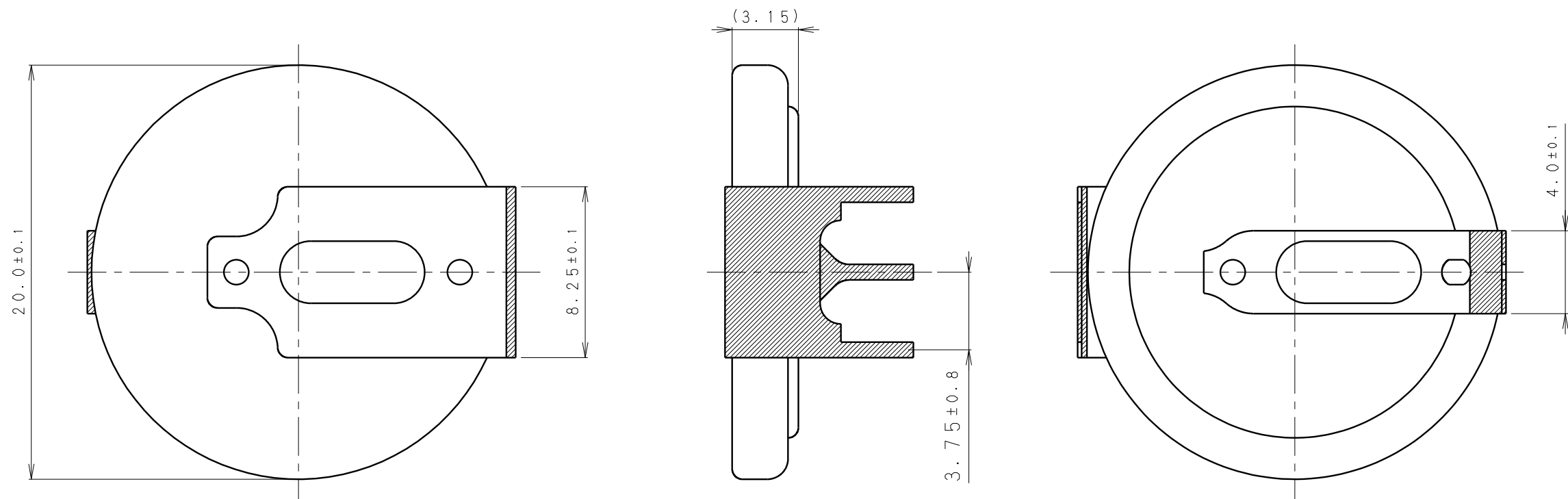
INSULATOR (YELLOW)
[絶縁チューブ (黄色)]



* NOTE [注記]

1. TAB PULLING STRENGTH OVER 19.6N [端子溶接強度: 19.6N以上]
2. TAB MATERIAL: STAINLESS STEEL WITH TIN PLATING [端子材料: 基材 ステンレス/表面 部分Snメッキ]
3. (): REFERENCE DIMENSION AND ANGLE [() 寸法、角度は参考値]

PRODUCT NO.	CR-2032/HMN	SCALE	4:1
DRAWING NO.	PMHH1Z	REV.	0
			UNIT: mm

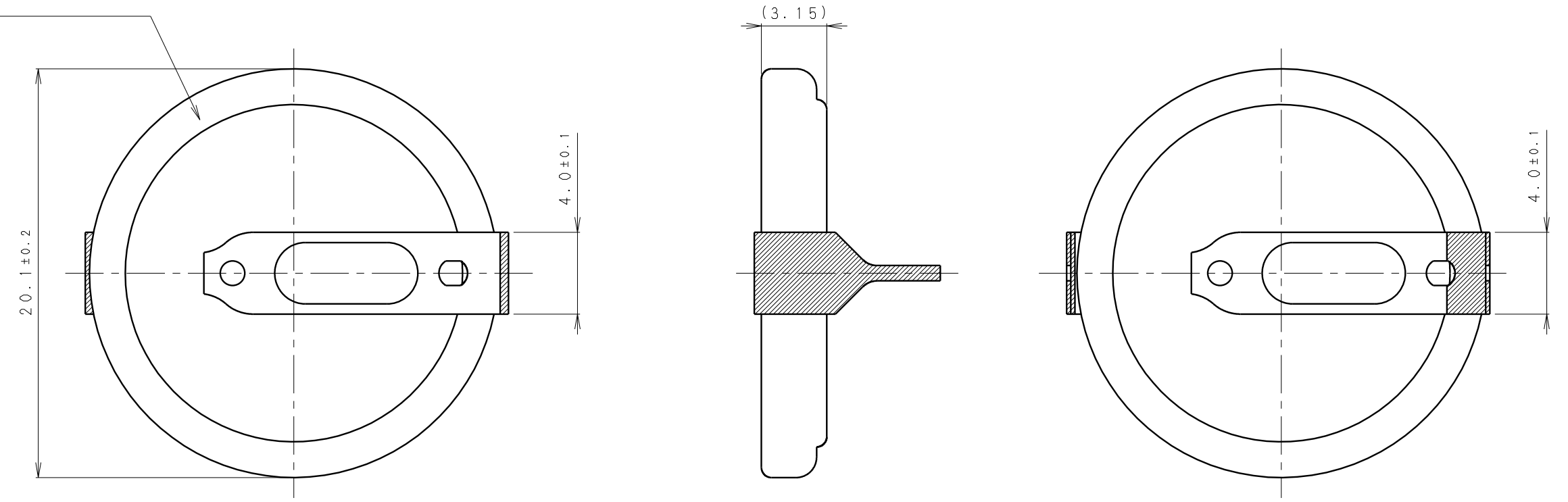


*NOTE [注記]

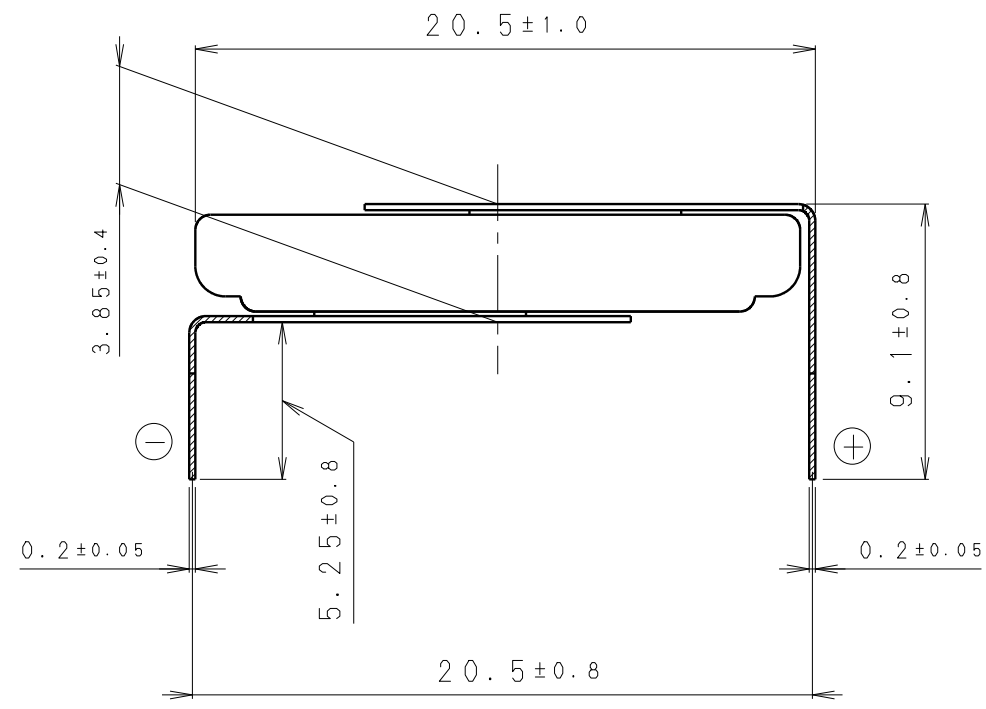
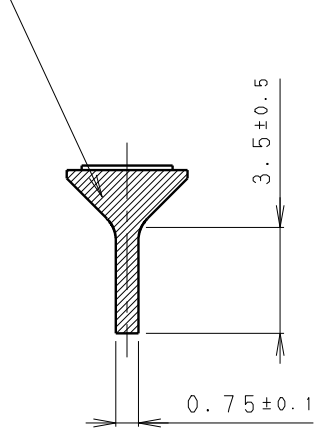
1. TAB PULLING STRENGTH OVER 19.6N [端子溶接強度:19.6N以上]
2. TAB MATERIAL:STAINLESS STEEL WITH TIN PLATING [端子材料:基材 ステンレス/表面 部分Snメッキ]
3. ():REFERENCE DIMENSION AND ANGLE [()寸法、角度は参考値]

PRODUCT NO.	CR-2032/HGN	SCALE	4:1
DRAWING NO.	PMGA1N	REV.	0
			UNIT:mm

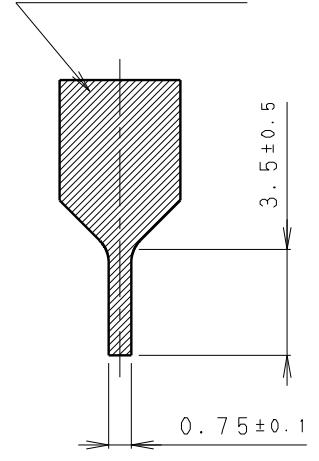
INSULATOR (YELLOW)
[Snメッキ]



TIN PLATING
[Snメッキ]



TIN PLATING
[Snメッキ]

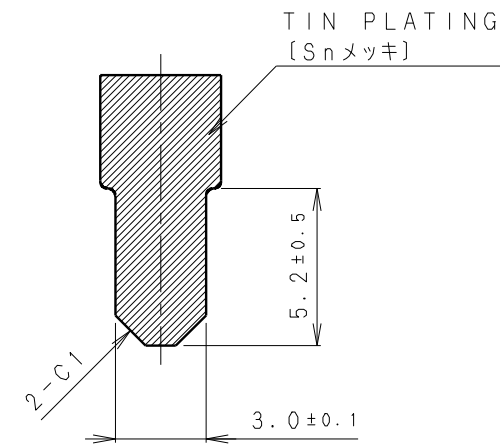
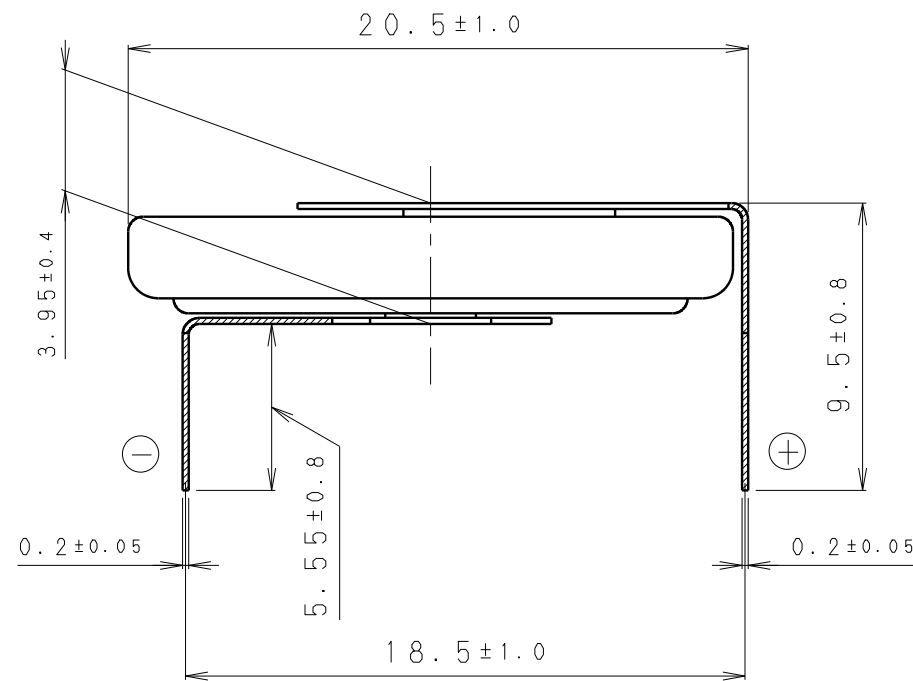
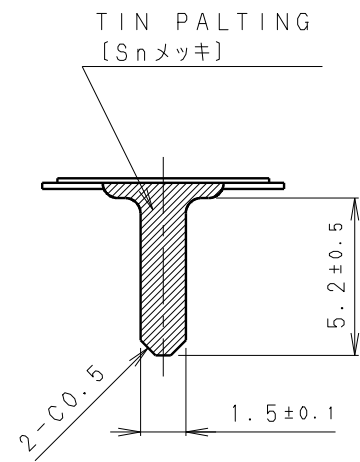
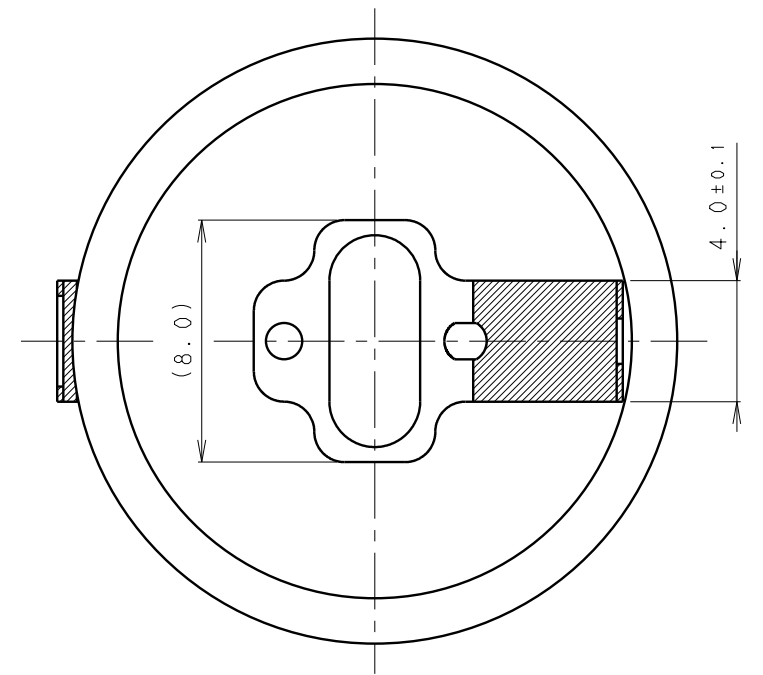
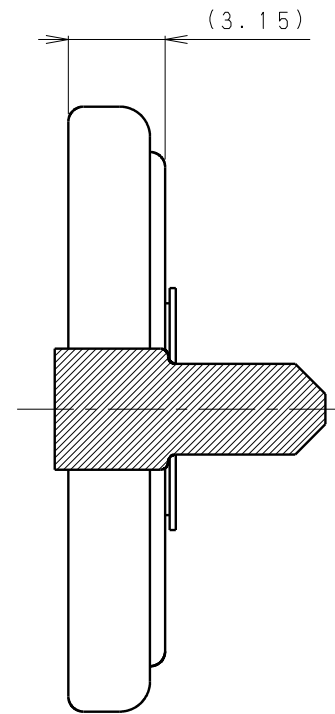
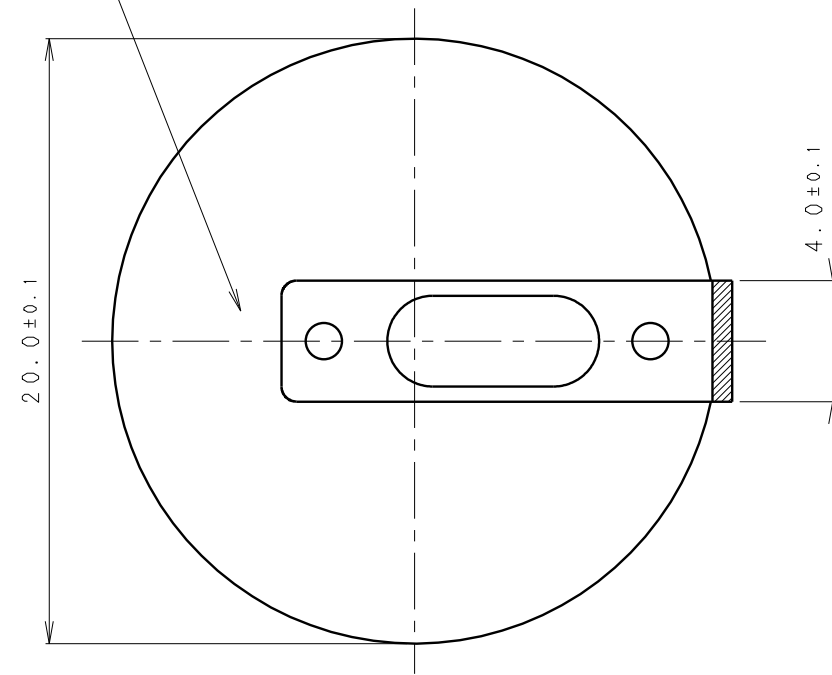


* NOTE [注記]

1. TAB PULLING STRENGTH OVER 19.6N [端子溶接強度: 19.6N以上]
2. TAB MATERIAL: STAINLESS STEEL WITH TIN PLATING [端子材料: 基材 ステンレス/表面 部分Snメッキ]
3. (): REFERENCE DIMENSION AND ANGLE [() 寸法、角度は参考値]

PRODUCT NO.	CR-2032/HFN	SCALE	
		4:1	
DRAWING NO.	PMHA1Z	REV.	UNIT:mm
		0	

DATE CODE
[ロット表示]



* NOTE [注記]

- TAB PULLING STRENGTH OVER 19.6N [端子溶接強度:19.6N以上]
- TAB MATERIAL:STAINLESS STEEL WITH TIN PLATING [端子材料:基材 ステンレス/表面 部分Snメッキ]
- ():REFERENCE DIMENSION AND ANGLE [()寸法、角度は参考値]

PRODUCT NO.	CR-2032/HU3N	SCALE	4:1
DRAWING NO.	PMHL1N	REV.	0
			UNIT:mm