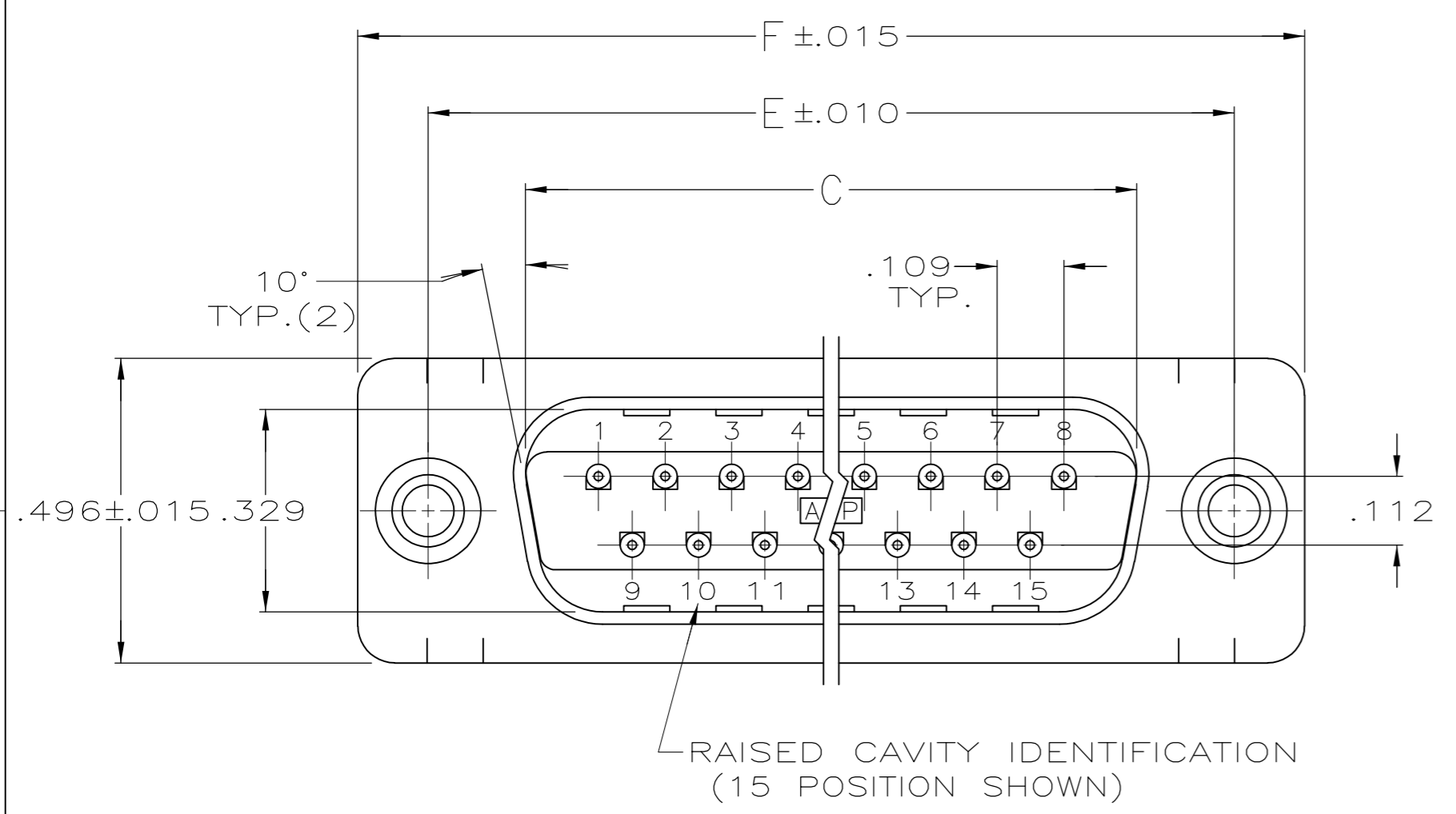
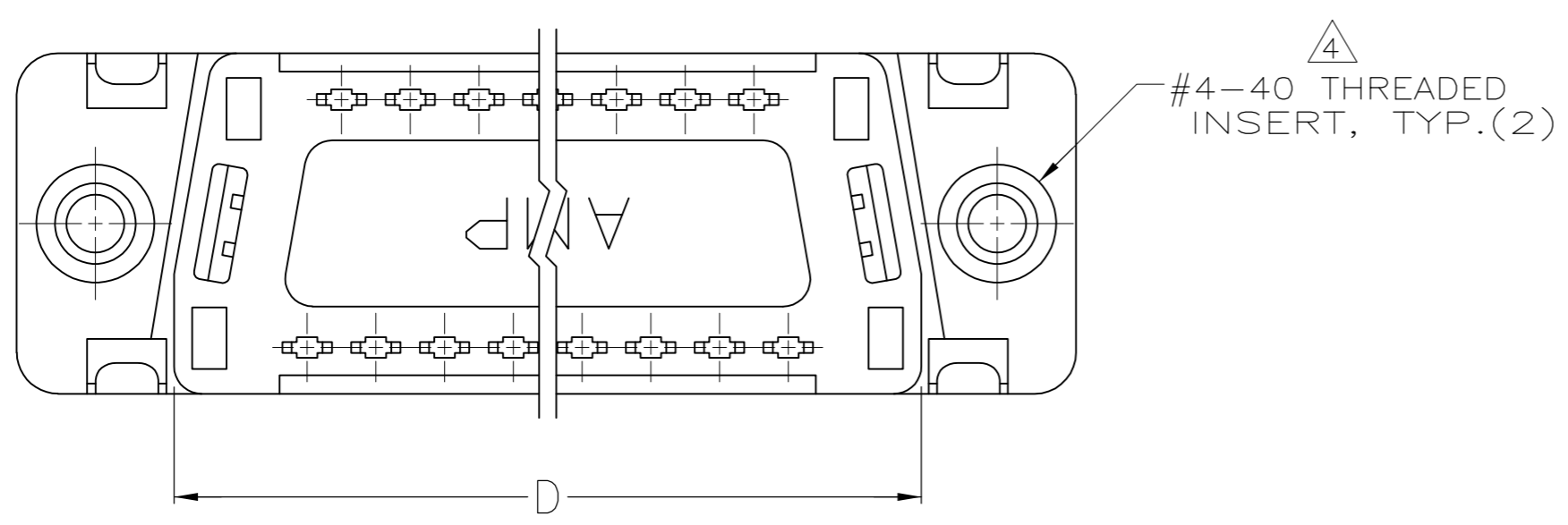
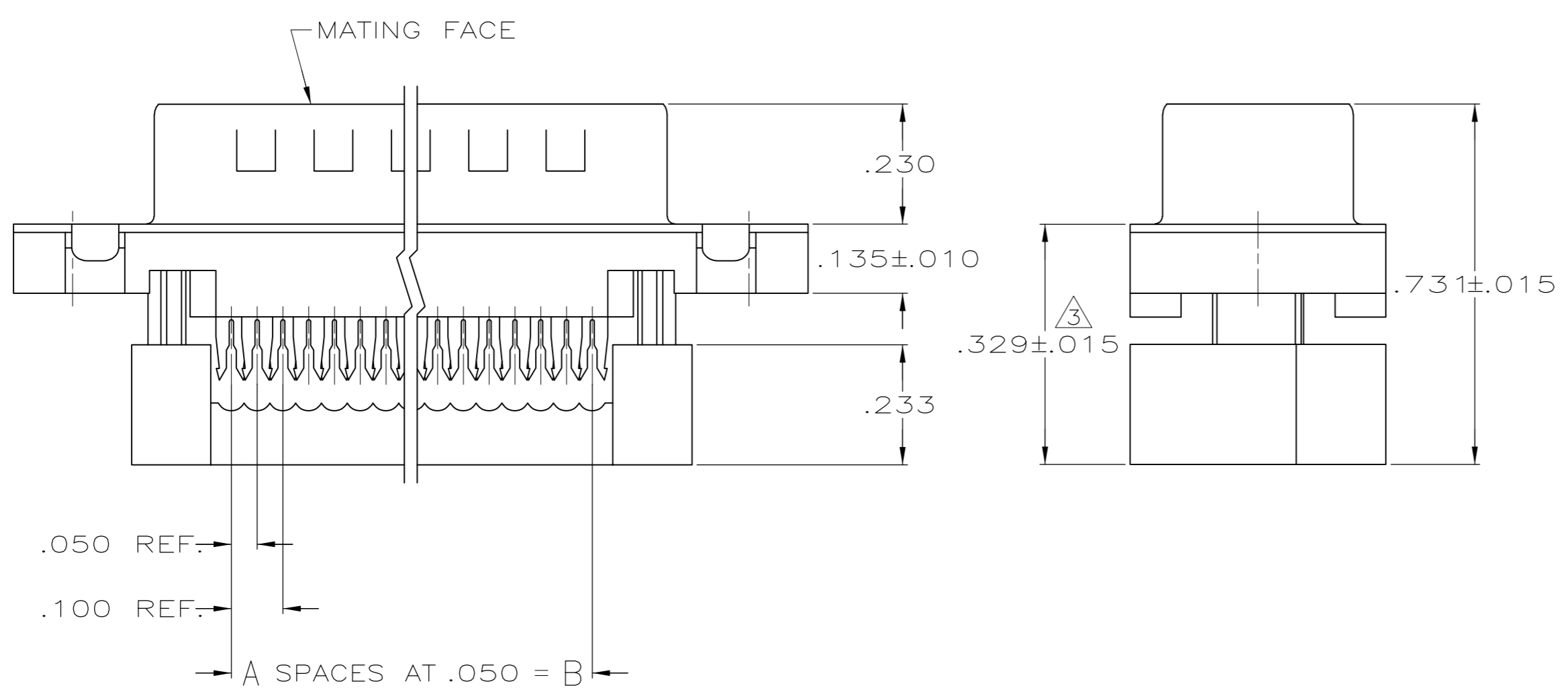


THIS DRAWING IS UNPUBLISHED. RELEASED FOR PUBLICATION  
 © COPYRIGHT BY TYCO ELECTRONICS CORPORATION. ALL RIGHTS RESERVED.

LOC		DIST		REVISIONS			
P	LTR	DESCRIPTION	DATE	DWN	APVD		
GP	00	B1	REVISED PER ECO-07-008164	10AUG07	JDP	CWR	



- CONNECTORS COMPLY WITH AMP SPEC. 108-40,012 AND MATE WITH ANY SAME NUMBER POSITION RECEPTACLE CONNECTOR IN AMPLIMITE SERIES.
- CONNECTOR DESIGNED FOR 28 AND 26 AWG STRANDED AND SOLID CONDUCTOR RIBBON CABLE ON .050 $\phi$ .
- DIMENSION APPLIES TO TERMINATED CONNECTOR.
- INSERTS WILL WITHSTAND 6 IN. LBS. TORQUE AND 50 LBS. PULL OUT FORCE FROM MATING FACE SIDE.
- MOLDED PARTS: FLAME RETARDANT 94V-0 RATED THERMOPLASTIC; COLOR: BLACK.
- SHELLS: STEEL PER QQ-S-698.
- CONTACTS: PHOS. BRONZE PER QQ-B-750.
- INSERTS: BRASS PER MIL-C-50.
- GOLD PLATING PER MIL-G-45204, BRIGHT TIN PLATING PER MIL-T-10727 (NOT TIN LEAD), NICKEL PLATING PER QQ-N-290.
- SHELL: BRIGHT TIN PLATED.
- CONTACTS: .000030 GOLD ON MATING END, .000100-.000200 BRIGHT TIN OR BRIGHT TIN LEAD ON TERMINATION END, ALL OVER .000050 NICKEL ON ENTIRE CONTACT.
- ADVANCED PART NUMBER, NOT PRODUCTION TOOLED.



	1.764	1.526	1.287	1.140	.900	18	19	747043-5
OBSOLETE	1.216	.984	.759	.666	.400	8	9	747043-4
OBSOLETE	1.541	1.312	1.087	.994	.700	14	15	747043-3
OBSOLETE	2.090	1.852	1.623	1.534	1.200	24	25	747043-2
OBSOLETE	2.732	2.500	2.275	2.183	1.800	36	37	747043-1
	F	E	D	C	B	A	NO.OF POS.	PART NUMBER

THIS DRAWING IS A CONTROLLED DOCUMENT.

DIMENSIONS: INCHES	TOLERANCES UNLESS OTHERWISE SPECIFIED:	DWN	-
0 PLC ± -	1 PLC ± -	CHK	-
2 PLC ± -	3 PLC ± -	APVD	-
4 PLC ± -	ANGLES ± -	PRODUCT SPEC	-
FINISH	FINISH	APPLICATION SPEC	-
5 6 7 8	9 10 11	WEIGHT	-

**Tyco Electronics** Tyco Electronics Corporation  
 Harrisburg, PA 17105-3008  
 NAME: PLUG ASSEMBLY, LOW PROFILE HDF, FRONT METAL SHELL, W/ PREASSEMBLED COVER & THREADED INSERTS  
 SIZE: A2 CAGE CODE: 00779 DRAWING NO: C-747043  
 RESTRICTED TO: -  
 CUSTOMER DRAWING SCALE: 4:1 SHEET: 1 of 1 REV: B1