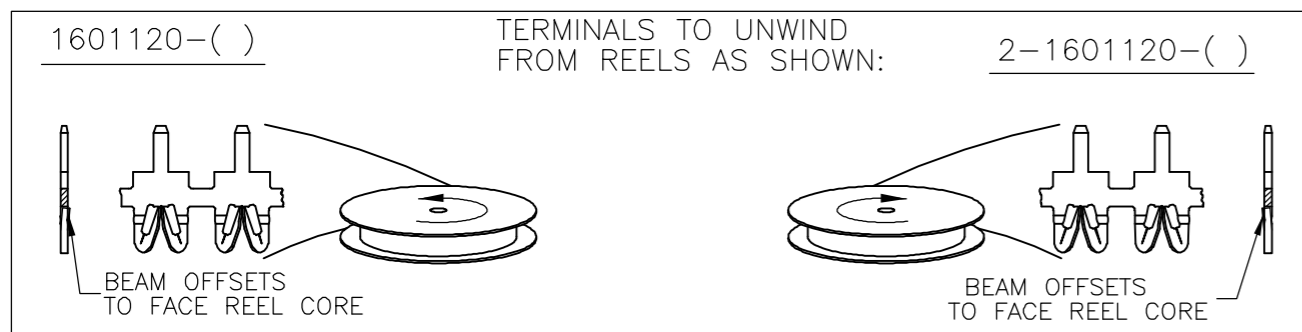
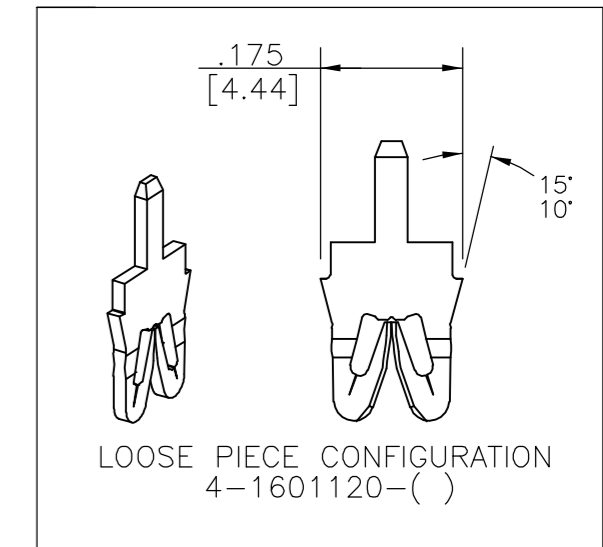
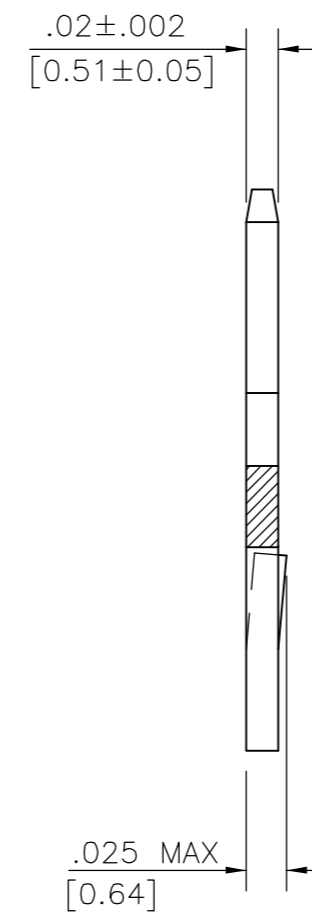
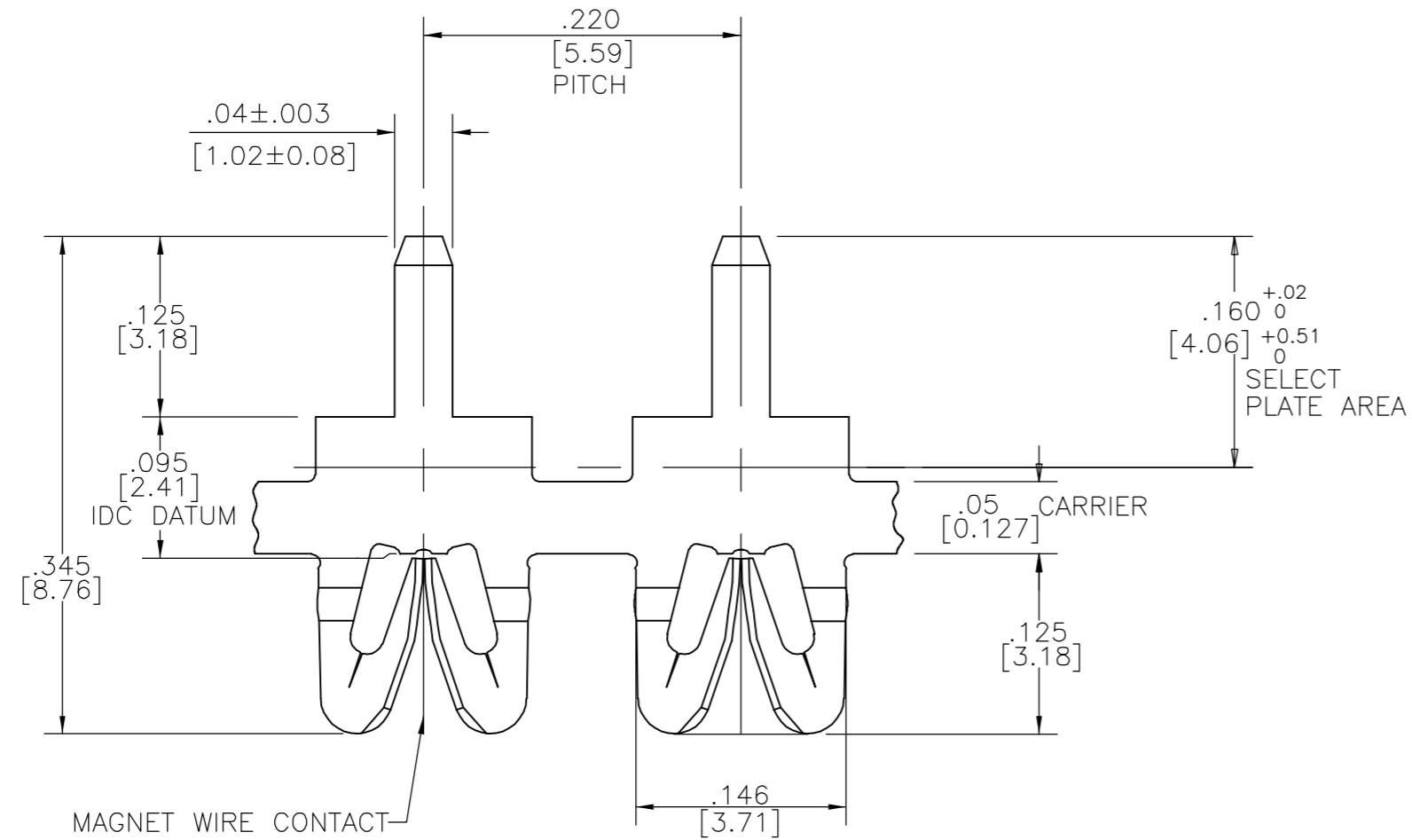


THIS DRAWING IS UNPUBLISHED. RELEASED FOR PUBLICATION  
 © COPYRIGHT BY TYCO ELECTRONICS CORPORATION. ALL RIGHTS RESERVED.

LOC	DIST	REVISIONS			
P	LTR	DESCRIPTION	DATE	DWN	APVD
AF	50	E1	REVISED PER ECR-06-015948	10AUG06	HMR GJ

- SPECIFICATIONS:  
 MAGNET WIRE #27 - #36 AWG,  
 0.38mm (.015") - 0.13 (.005") DIA. COPPER  
 OTHER SIZES MAY BE ACCOMMODATED,  
 CONSULT TYCO ELECTRONICS FOR APPROVAL.
  - POCKET RECOMMENDATION: #1601424
- △ 3 TERMINAL APPLICATION TO COMPLY WITH  
 TYCO ELECTRONICS SPECIFICATION 114-13166  
 FIGURE 5.



SELECTIVE TIN PLATE OVER NICKEL	---	4-1601120-4
SELECTIVE POST TIN-LEAD PLATE OVER NICKEL	050-011-119	4-1601120-2
SELECTIVE TIN PLATE OVER NICKEL	---	2-1601120-4
SELECTIVE POST TIN-LEAD PLATE OVER NICKEL	150-012-119	2-1601120-2
UNPLATED	150-012-000	2-1601120-1
SELECTIVE TIN PLATE OVER NICKEL	---	1601120-4
<del>SELECTIVE POST TIN-LEAD PLATE OVER NICKEL</del>	<del>150-011-019</del>	<del>1601120-3</del>
SELECTIVE POST TIN-LEAD PLATE OVER NICKEL	150-011-119	1601120-2
UNPLATED	150-011-000	1601120-1
FINISH	REFERENCE P/N	TYCO PART NUMBER

SUPERSEDED

THIS DRAWING IS A CONTROLLED DOCUMENT.		DWN J.WELLER 11JAN2002	Tyco Electronics Corporation Harrisburg, PA 17105-3608
DIMENSIONS: INCHES (MM)		CHK M.FEHER 11JAN2002	
TOLERANCES UNLESS OTHERWISE SPECIFIED:		APVD K.RANDOLPH 11JAN2002	NAME
0 PLC ± - 1 PLC ± - 2 PLC ± .01[0.25] 3 PLC ± .005[0.13] 4 PLC ± - ANGLES ± 2°		PRODUCT SPEC 108-2244	FINE RANGE WIRE TO .040 X .020 P.C.B. SIAMEZE TERMINAL
MATERIAL BRASS, SPRING HARD	FINISH SEE TABLE	WEIGHT -	SIZE A2 CAGE CODE 00779 DRAWING NO C=1601120 RESTRICTED TO -
CUSTOMER DRAWING		SCALE 1:3	SHEET 1 OF 1 REV E1