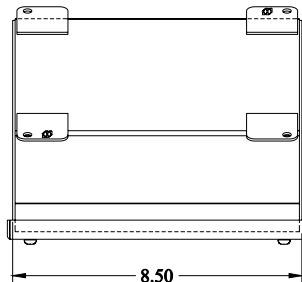
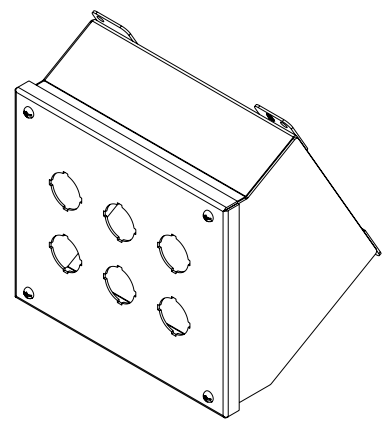
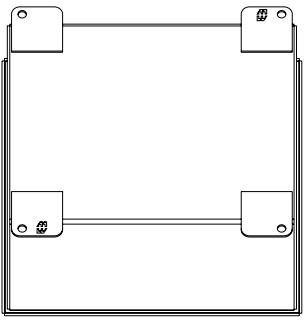

PART No. 1490G6
 for more information visit
www.hammfg.com
 Data subject to change without notice
 Isometric drawing Not to Scale



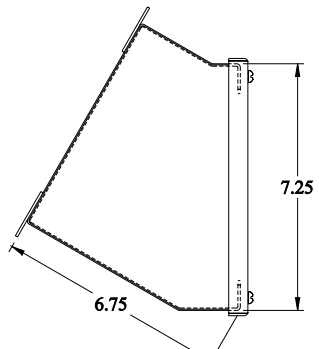
8.50
TOP VIEW



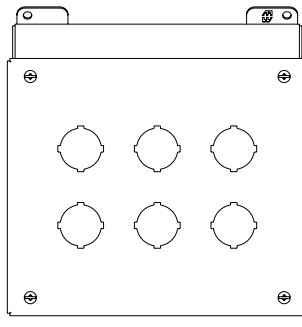
ISOMETRIC VIEW



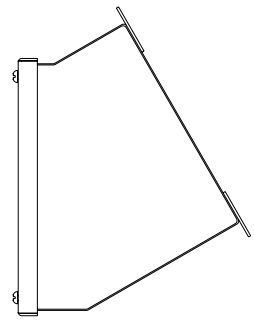
BACK VIEW



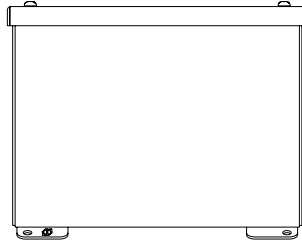
6.75 7.25
LEFT SIDE VIEW



FRONT VIEW



RIGHT SIDE VIEW



BOTTOM VIEW