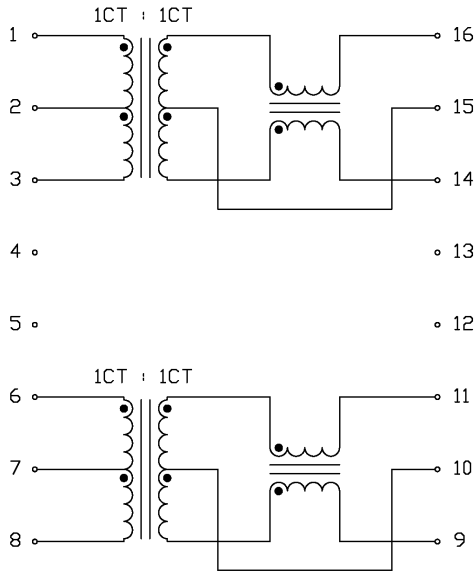


THE INFORMATION CONTAINED HEREIN IS CONSIDERED "PROPRIETARY" TO BEL FUSE INC. AND SHALL NOT BE COPIED, REPRODUCED OR DISCLOSED WITHOUT THE WRITTEN APPROVAL OF BEL FUSE INC.

ELECTRICAL CHARACTERISTICS @ 25°C



SCHEMATIC



URNS RATIO
 Tx (1&2&3) : (16&15&14)
 Rx (6&7&8) : (11&10&9)

1CT : 1CT
 1CT : 1CT
 16 TO 1 ; 14 TO 3
 11 TO 6 ; 9 TO 8

PHASING

DCL (-40°C - 85°C)
 Tx (16&14)
 Rx (11&9)

@ 100kHz 100mVrms, w/8mA DC BIAS
 350uH MIN.
 350uH MIN.

LEAKAGE INDUCTANCE (Le)
 Tx (16&14) WITH 1&2&3 SHORTED:
 Rx (11&9) WITH 6&7&8 SHORTED:

@ 1 MHz, 20mV
 0.35uH MAX.
 0.35uH MAX.

INTERWINDING CAPACITANCE (Cw/w)
 Tx (1&3 TO 16&14) & Rx (6&8 TO 11&9)

@ 1 MHz, 20mV
 30pF MAX.

DCR WINDING RESISTANCE
 (1-3) ; (6-8)
 (16-14) ; (11-9)

1.0 OHMS MAX.
 2.0 OHMS MAX.

INSERTION LOSS
 @100kHz TO 100MHz

1.0dB MAX.

RETURN LOSS
 (UNDER 100 OHMS ±15% ENVIRONMENT)
 @0.1 TO 30 MHz
 @30 TO 60 MHz
 @60 TO 80 MHz

18dB MIN.
 18-20 LOG (F/30MHZ)
 10dB MIN.

COMMON TO COMMON MODE ATTENUATION
 @0.1 TO 100 MHz

30dB MIN.

CROSSTALK
 @1MHz TO 100MHz

35dB MIN.

COMMON TO DIFFERENTIAL MODE ATTENUATION
 @0.1 TO 100 MHz

40dB MIN.

HIPOT

PER HAND-WORK-03

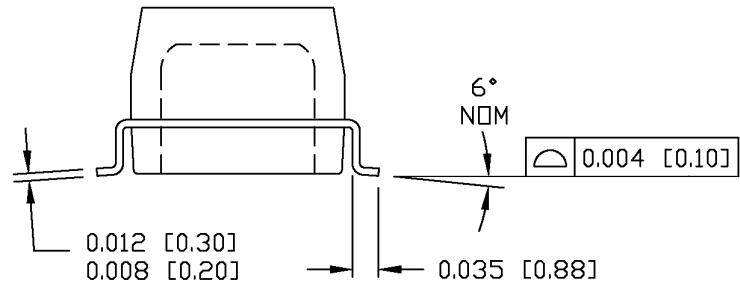
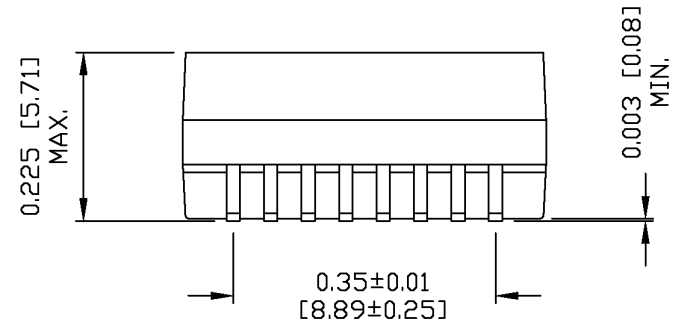
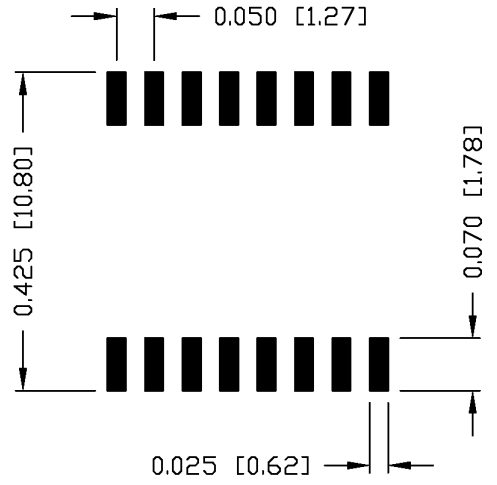
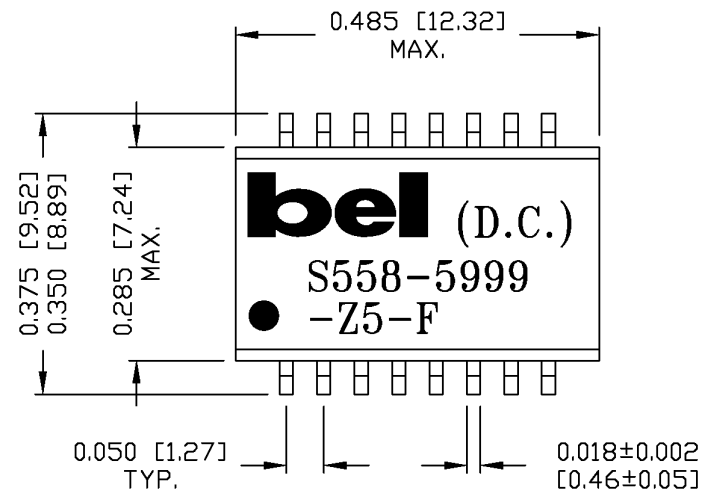
| | | | | | |
|---------------|----------|---------------------------|------------------------|---------------|------------------------------|
| ORIGINATED BY | DATE | TITLE | PART NO. / DRAWING NO. | STANDARD DIM. | [] METRIC DIM. AS REFERENCE |
| HO | 04-27-06 | 10/100BT MAGNETICS MODULE | X5585999Z5-F | TOL. IN INCH | UNIT : INCH [mm] REV. : A |
| DRAWN BY | DATE | S558-5999-Z5-F | FILE NAME | .X | SCALE : N/A SIZE : A4 |
| DQ Chen | 04-27-06 | | X5585999Z5FA.DWG | .XX | ⊕ |
| | | | | .XXX | PAGE : 2 |



THE INFORMATION CONTAINED HEREIN IS CONSIDERED "PROPRIETARY" TO BEL FUSE INC. AND SHALL NOT BE COPIED, REPRODUCED OR DISCLOSED WITHOUT THE WRITTEN APPROVAL OF BEL FUSE INC.



SUGGESTED PCB PAD LAYOUT



NOTES:

1. STANDARD MARKING REFER TO DOC. HAND-WORK-04.
2. PACKAGE CODE: "QBS001".

| | | | | | | | | |
|---------------------|------------------|---|--|----------------------------|--------|------------------------------|-----------|---------------------------------------|
| ORIGINATED BY HQ | DATE 04-27-06 | TITLE MECHANICAL DRAWING S558-5999-Z5-F | PART NO. / DRAWING NO. X5585999Z5-F | STANDARD DIM. TOL. IN INCH | | [] METRIC DIM. AS REFERENCE | | COMPONENTS FOR A CONNECTED PLANET |
| | | | | .X | | UNIT : INCH [mm] | REV. : A | |
| DRAWN BY DQ Chen | DATE 04-27-06 | | FILE NAME X5585999Z5FA.DWG | .XX | ±0.01 | SCALE : N/A | SIZE : A4 | |
| | | | | .XXX | ±0.005 | | PAGE : 3 | |