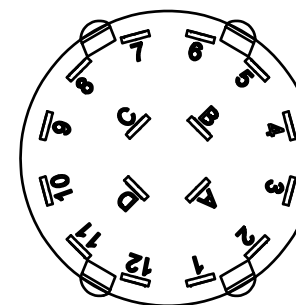
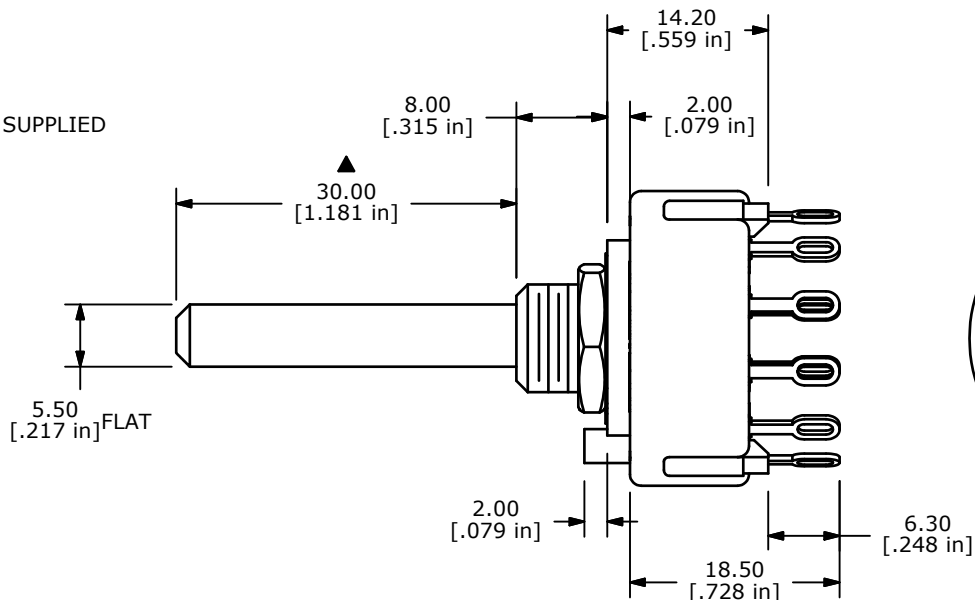
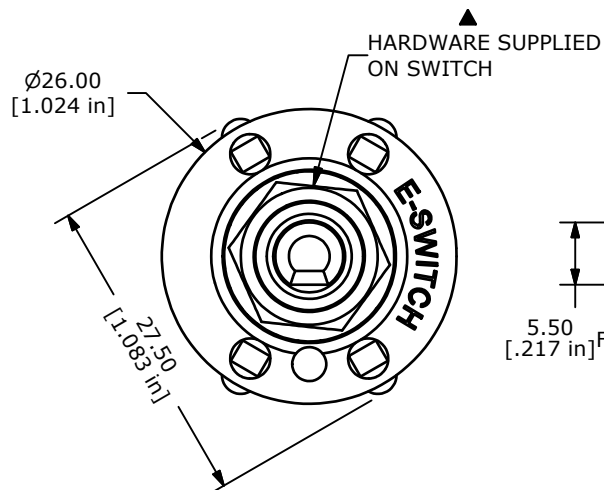
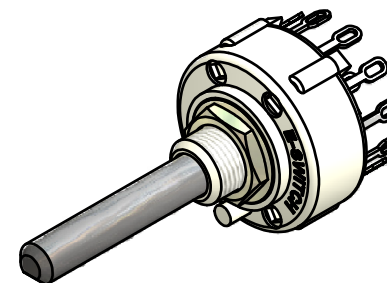


CONTACT CONFIGURATION
TIMING (BBM) NON-SHORTING



- NOTE:
1. ALL DIMENSIONS IN MM[INCH].
 2. GENERAL TOLERANCE: X.X=± 0.4
X.XX=± 0.25
 3. TERM. NOS. FOR REFERENCE ONLY.
 4. CONTACT MATERIAL: GOLD FLASH OVER SILVER PLATE
 5. CONTACT RATING: 0.3A @ 125V AC
 6. CONTACT RESISTANCE: < 50m OHMS
 7. OPERATING FORCE: 0.8 ± 0.3 Kg-cm
 8. OPERATING TEMP: -30°C TO 85°C
 - ▲ 9. CIRCUIT 4P: 4 POLE: 3 POSITIONS, 30° INDEX
 10. DIELECTRIC STRENGTH: AC500V - 1 MIN.
 - ▲ 11. HARDWARE SUPPLIED ON SWITCH:
LOCKWASHER, HEXNUT
 12. ▲ DENOTES CRITICAL PARAMETER.



TITLE KC43A30.001NLF				
SCALE	DATE	DR	DWG	REV
1.5:1	1/26/2012	BGL	G510283	A

A	20428	RELEASED FOR PRODUCTION	1/26/12	BGL
REV	PCR NO	DESCRIPTION	DATE	BY

THE INFORMATION CONTAINED IN THIS DOCUMENT IS PROPRIETARY TO E-SWITCH AND IS NOT TO BE COPIED OR TRANSFERRED