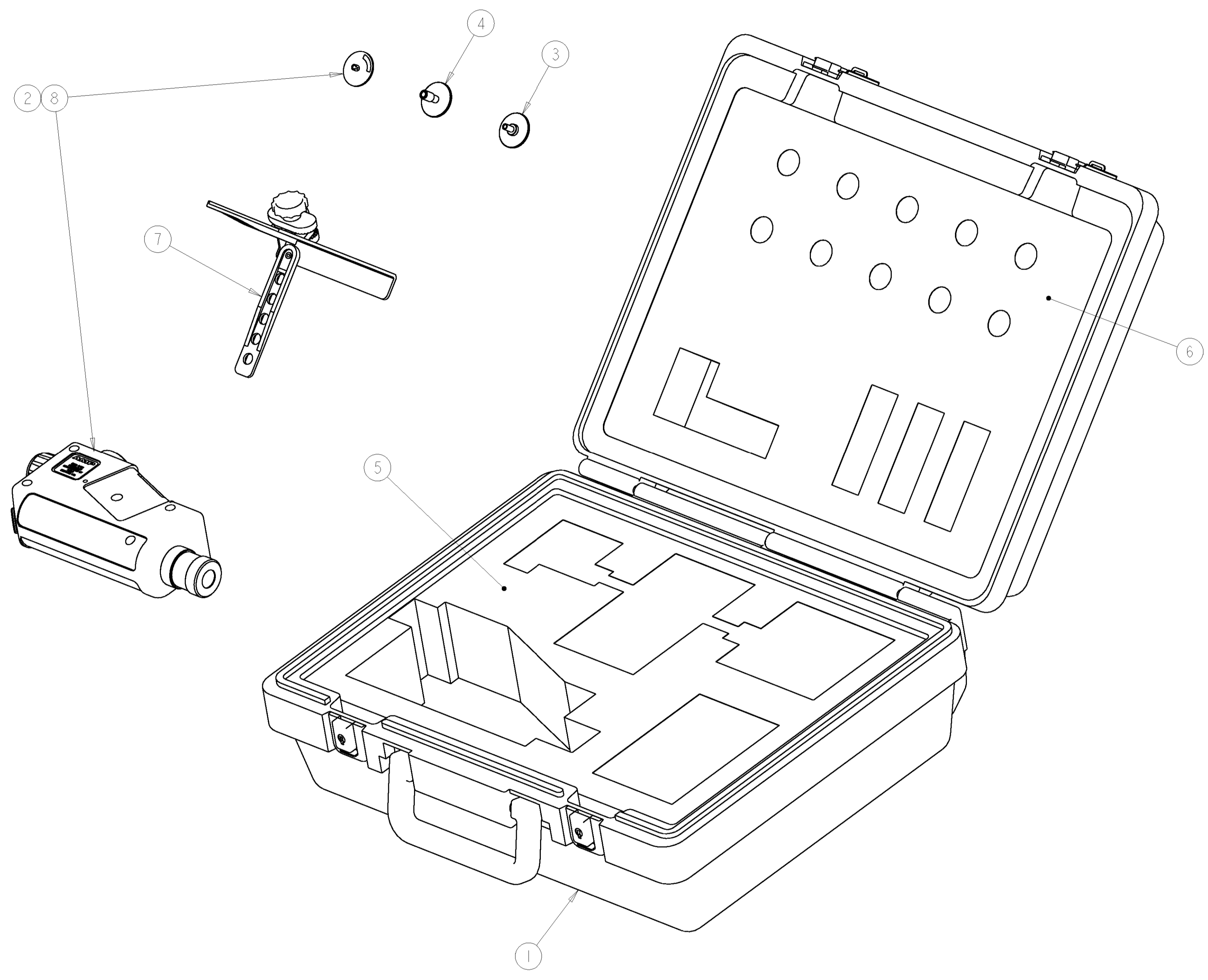


LOC	DIST	REVISIONS					
		P.	LTR	DESCRIPTION	DATE	DWN	APPR
CE	16	F		REVISED PER 0A00-0781-00	15 NOV 2000	TA	SB



- 1 MATERIAL:  
 MICROSCOPE: A.B.S. PLASTIC  
 CONNECTOR ADAPTERS: ALUMINUM  
 TRIPOD: FIBERGLASS REINFORCED NYLON WITH ALUMINUM  
 THREADED COMPONENTS  
 FOAM: ANTISTATIC FOAM PER AMP SPEC. 115-59  
 CARRYING CASE: HIGH DENSITY POLYETHYLENE WITH  
 METAL LATCHES/LOCKS
- 2 FINISH:  
 MICROSCOPE: BLACK  
 CONNECTOR ADAPTERS: BLACK ANODIZE  
 TRIPOD: BLACK  
 FOAM: PINK  
 CARRYING CASE: CHARCOAL GRAY WITH  
 TEXTURED GRAIN EXTERIOR
- 3 RED ON/OFF SWITCH W/AC ADAPTER VERSION USES  
 2.8V REPLACEMENT LIGHT BULB P/N 502964-1.  
 RED ON/OFF SWITCH W/LOW BATTERY INDICATOR USES  
 LONG LIFE LED.

1	1	-	-	502978-2	MICROSCOPE W/20X EYEPIECE	8
1	1	1	1	502965-1	TRIPOD	7
1	1	1	1	-	UPPER FOAM	6
1	1	1	1	-	LOWER FOAM	5
1	1	1	1	492547-1	F07 TYPE ADAPTER	4
1	1	1	1	502971-1	F5MA ADAPTER	3
-	-	1	1	502978-1	MICROSCOPE W/10X EYEPIECE	2
-	-	1	1	-	CASE	1
-4	-3	-2	-1	PART NUMBER	DESCRIPTION	ITEM NO

DIMENSIONS: INCHES		TOLERANCES UNLESS OTHERWISE SPECIFIED:		DWN T. ALEXANDER 02 NOV 2000		ERM D. WERTMAN 15 NOV 2000		NAME S. RIICHTER 15 NOV 2000		AMP Tyco Electronics Harrisburg, PA 17105-3608	
0 PLC ± 1 PLC ± 2 PLC ± 3 PLC ± 4 PLC ± ANGLES ±		± ± ± ± ±		PRODUCT SPEC APPLICATION SPEC		SIZE CAGE CODE DRAWING NO		RESTRICTED TO		CUSTOMER DRAWING	
MATERIAL: △		FINISH: △		WEIGHT: -		SCALE: 1:2		SHEET: 1 OF 1		REV: F	