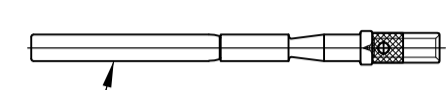
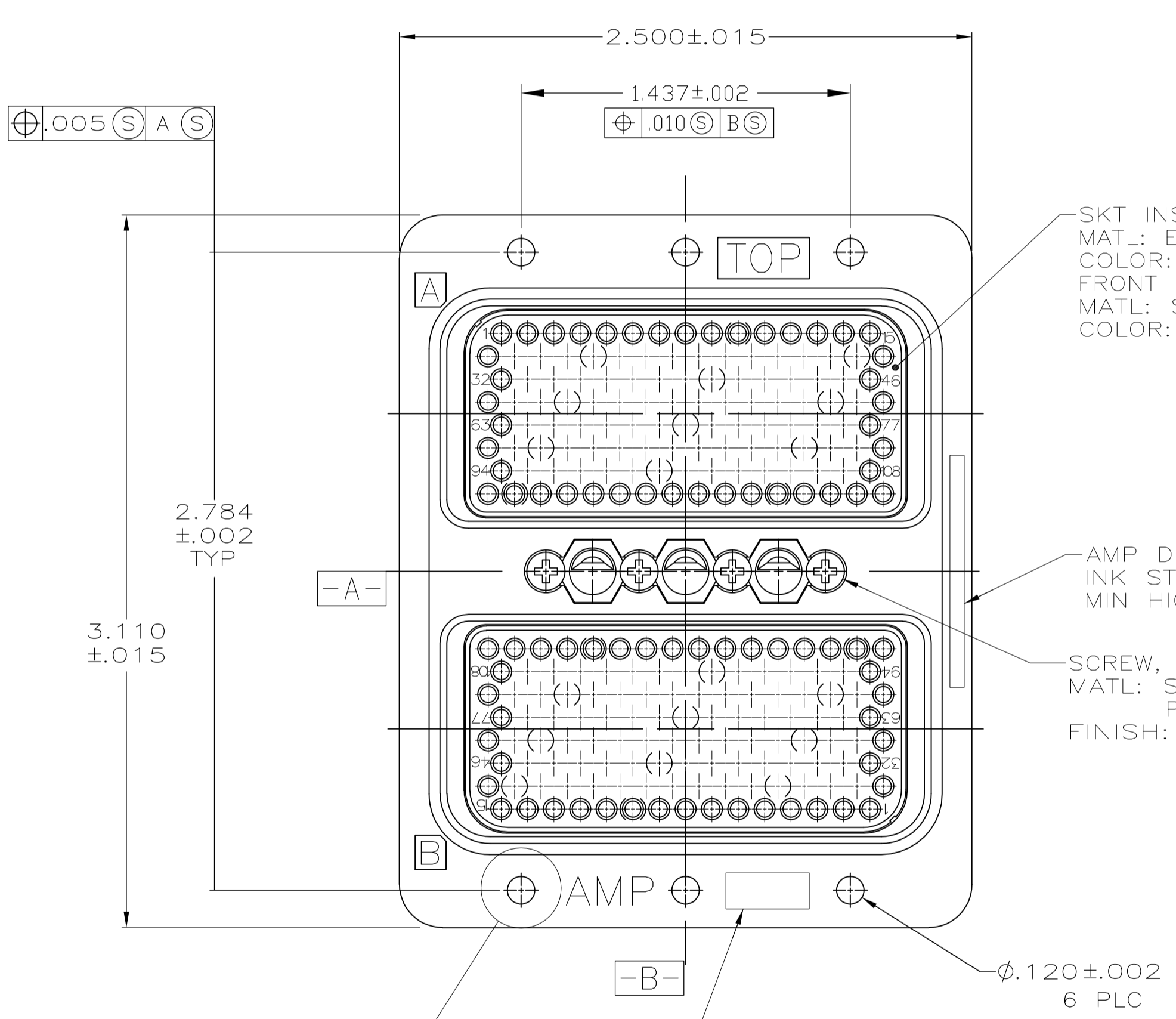
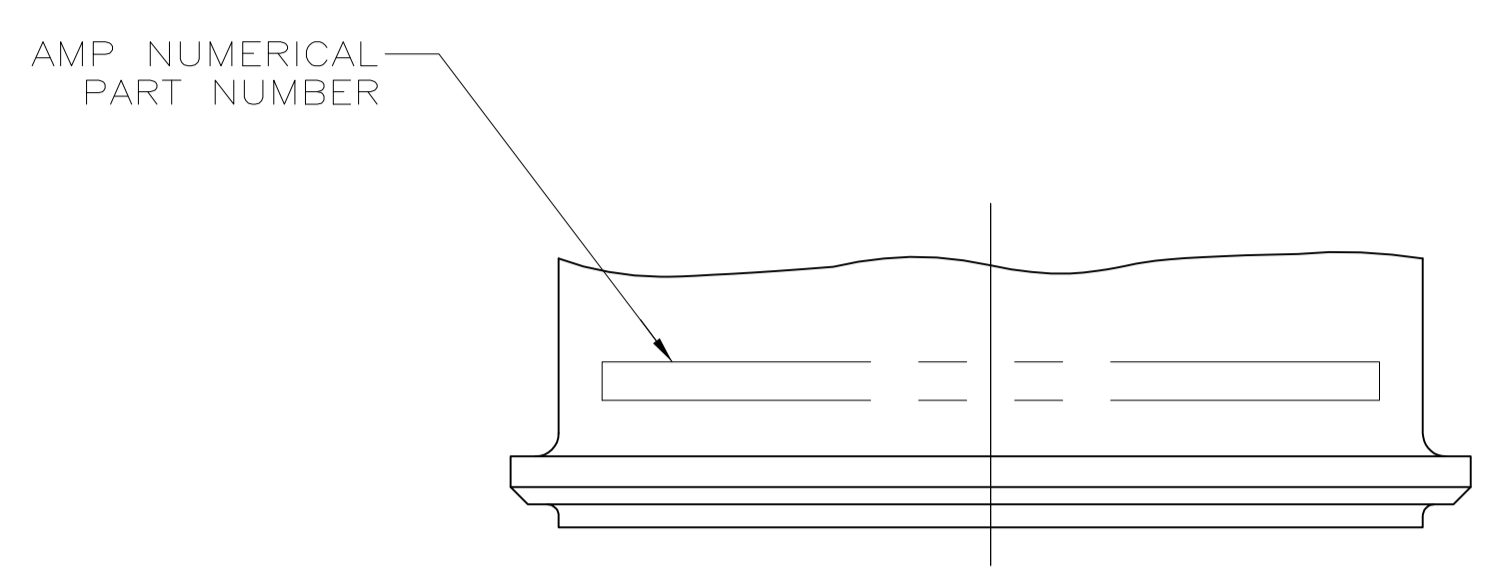


SIZE 20 SEALING PLUG, 37 SUPPLIED
MATL: NYLON PER MIL-M-20693
COLOR: RED

1. THIS CONNECTOR MEETS ALL APPLICABLE SPECIFICATIONS OF MIL-C-81659.
2. CONTACTS ARE RELEASED FROM FRONT AND REMOVED FROM REAR OF CONNECTOR.
3. POLARIZING KEYS ARE ASSEMBLED IN POSITION 01; (445595-1 THRU -6)
4. REPLACEMENT SOCKET CONTACT ASSY PART NUMBER IS 445591-1.
5. CONTACTS AND SEALING PLUGS ARE NOT INSTALLED. PACKAGED BULK IN SEPARATE BAGS.
6. FLOATING BUSHING, IN 4 CORNER MOUNTING HOLES, 4 REQUIRED
MATERIAL: STAINLESS STEEL
FINISH: PASSIVATED
7. WITHOUT CONTACTS
8. WITHOUT CONTACTS AND SEALING PLUGS
9. POLARIZING KEYS ARE ASSEMBLED IN POSITION 05; (445595-7 ONLY)



SIZE 20 SOCKET CONTACT ASSY. 4
LOW INSERTION FORCE,
248 REQD - 273 SUPPLIED
COLOR CODED BROWN
SEE DWG 445591



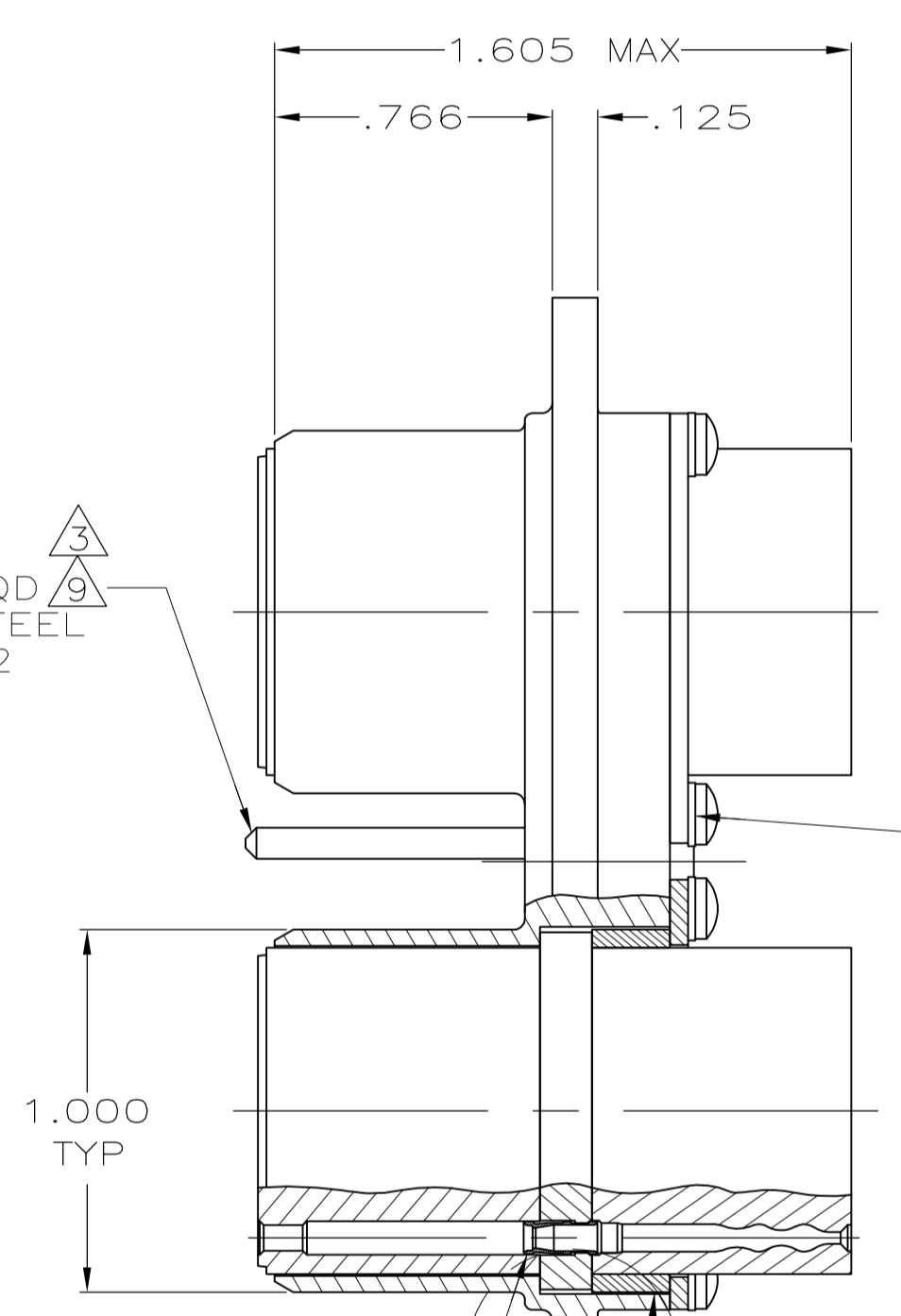
SKT INSERT, 124 POSN, 2 REQD
MATL: EPOXY MLDG CMPD
COLOR: BLACK
FRONT INSERT & REAR GROMMET
MATL: SILICONE RUBBER
COLOR: RED

POLARIZING POST, 3 REQD 3
MATERIAL: STAINLESS STEEL
PER ASTM-A-582
FINISH: PASSIVATED
PER QQ-P-35

AMP DESCRIPTIVE PART NUMBER
INK STAMPED .047
MIN HIGH CHARACTERS

SCREW, 4 REQD
MATL: STAINLESS STEEL
PER ASTM-A-582
FINISH: PASSIVATED
PER QQ-P-35

DATE CODE INK STAMPED
.047 MIN HIGH LETTERS



SIZE 20 RETAINING COLLET, 248 REQD
MATL: BERYLLIUM COPPER
PER QQ-C-530

SPACER, 4 REQD
MATL: ALUMINUM
PER QQ-A-250
FINISH: BLACK ANODIZED
PER MIL-A-8625

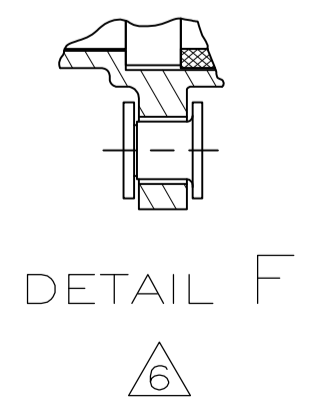
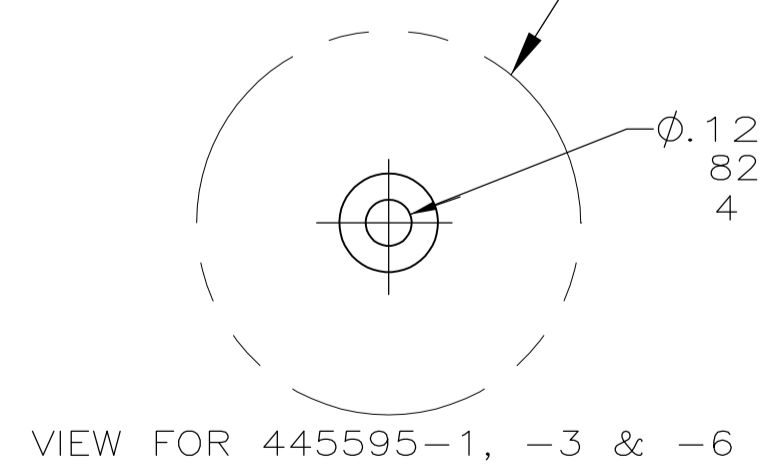
SCREW, 8 REQD
MATL: STAINLESS STEEL
FINISH: PASSIVATED

LOCKWASHER, 8 REQD
MATL: STAINLESS STEEL
FINISH: PASSIVATED

RETAINER PLATE, 2 REQD
MATL: ALUMINUM PER QQ-A-250
FINISH: BLACK ANODIZED
PER MIL-A-8625

PLUG SHELL
MATL: ALUMINUM ALLOY
PER QQ-A-591
FINISH: BLACK ANODIZED
PER MIL-A-8625

BD2P124S124S-8805	3, 6, 7, 8, 9	445595-7
BD2P124S124S-8001	3, 6, 8	445595-6
BD2P124S124S-8801	3, 6, 8	445595-5
BD2P124S124S-8801	3, 6, 8	445595-4
BD2P124S124S-8001	3, 6, 8	445595-3
BD2P124S124S-8801	3, 445595-1, 6	445595-2
BD2P124S124S-8001	3, AS SHOWN	445595-1
AMP DESCRIPTIVE NO.	DESCRIPTION	PART NUMBER



THIS DRAWING IS A CONTROLLED DOCUMENT.

DIMENSIONS: INCHES	TOLERANCES UNLESS OTHERWISE SPECIFIED:	0 PLC ± .005	1 PLC ± .005	2 PLC ± .005	3 PLC ± .005	4 PLC ± .005	ANGLES ± .005
MATERIAL SEE CALLOUTS	FINISH SEE CALLOUTS	WEIGHT	SIZE	CAGE CODE	DRAWING NO	RESTRICTED TO	
			A1	00779	445595		

CUSTOMER DRAWING SCALE 2:1 SHEET 1 OF 1 REV K

STE TE Connectivity

DUAL PLUG CONNECTOR KIT, ARINC404, BD2P124S124S SERIES, FRONT RELEASE/REAR REMOVE