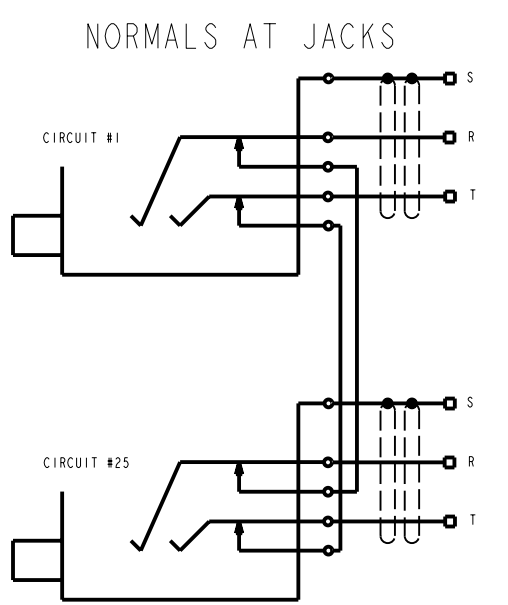
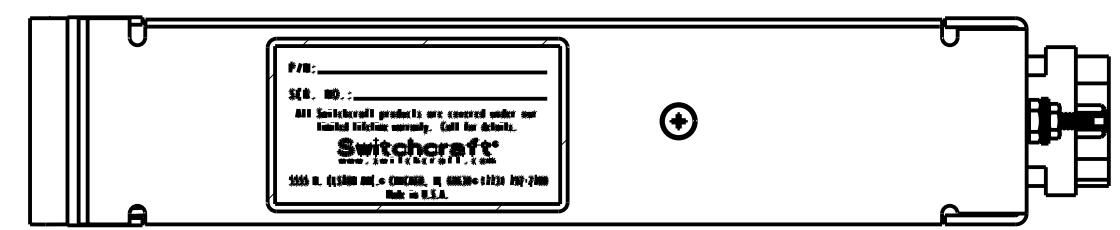
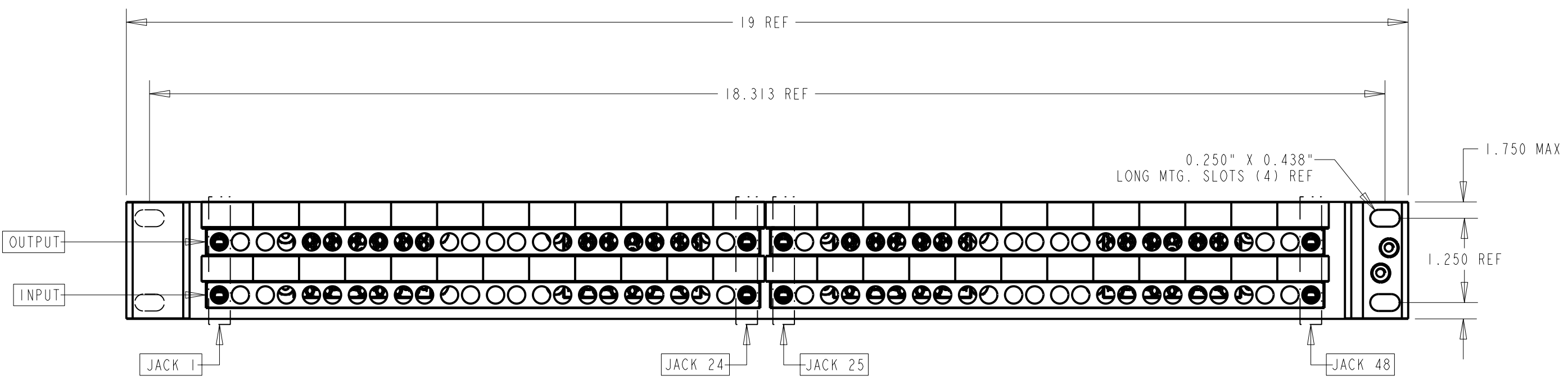


STANDARD AUDIO CONFIGURATION WIRING (S.A.C.)
WIRING VIEW
(NORMALS AT JACKS)



90 PIN CONNECTOR PIN-OUT			
JACK No.	TIP	RING	SLEEVE
1	A	H	R
JACKS #2 THRU #6 PATTERN CONTINUES TO F,N,W			
7	X	AE	AM
JACKS #8 THRU #12 PATTERN CONTINUES TO AC,AL,AT			
13	BJ	BS	BY
JACKS #14 THRU #18 PATTERN CONTINUES TO BP,BX,CD			
19	CF	CN	CW
JACKS #20 THRU #24 PATTERN CONTINUES TO CM,CU,DB			



MATERIAL:

JACKS
 Frame: Nickel-plated steel
 Bushing: Nickel-plated Brass
 Tip, Ring and Shunt Springs: Nickel-silver with welded contacts
 Assembly Screws: Zinc plated steel
 Welded Contacts: Gold alloy

PANEL
 Front Channel: Black anodized aluminum
 Frame & Cover: C.R.S. black epoxy painted
 Designation Strips: Black Polycarbonate, 94V-0
 Designation Strip Covers: Clear Polycarbonate
 Jack Inserts: Polyester

EDAC CONNECTOR
 Housing: Thermoplastic, UL94V-0 (part no's: 516-120-000-202)
 Contacts: Gold plated Phosphor Bronze

REV	ECO NUMBER	DATE	BY	APVD
F	23184	5-10-00	JL	EB
E	22558	1-21-99	JL	JF
D	22477	8-5-98	SG	ELB
C	22108	1-21-98	RC	JF
B	ECO #21963	9-8-97	SG	SC
A	REL. TO PROD. ECO #21942	8-22-97	SG	SC

★ STAR SYMBOL DENOTES CRITICAL DIMENSION

UNLESS OTHERWISE SPECIFIED

- ALL DIMENSIONS IN INCHES
 - TWO PLACE DECIMALS ±0.01
 - THREE PLACE DECIMALS ±0.005
 - ANGLES ±1°
 - ALL DIA. CONCENTRIC WITHIN 0.005 T.I.R.
- FEATURES ON THE SAME CENTERLINE MUST BE ALIGNED WITHIN ±0.002
- REMOVE ALL BURRS

DO NOT SCALE DRAWING

THIS DRAWING DESCRIBES A DESIGN CONSIDERED PROPRIETARY IN NATURE, DEVELOPED AND MANUFACTURED BY SWITCHCRAFT INC. AND IS RELEASED ON A CONFIDENTIAL BASIS FOR IDENTIFICATION PURPOSES ONLY.				
SIZE	WIDTH	MULT	LBS/M	TEMPER
FINISH SPEC No.		MATERIAL SPEC No.		
FIRST USED ON		SCALE 5:8		
DATE DRAWN	BY	CHKD	APVD	
3-19-97	SG	3-19-97	JF	
NAME		PART No.		
JACKFIELD		TT96EDACNS		

CUSTOMER DRAWING

