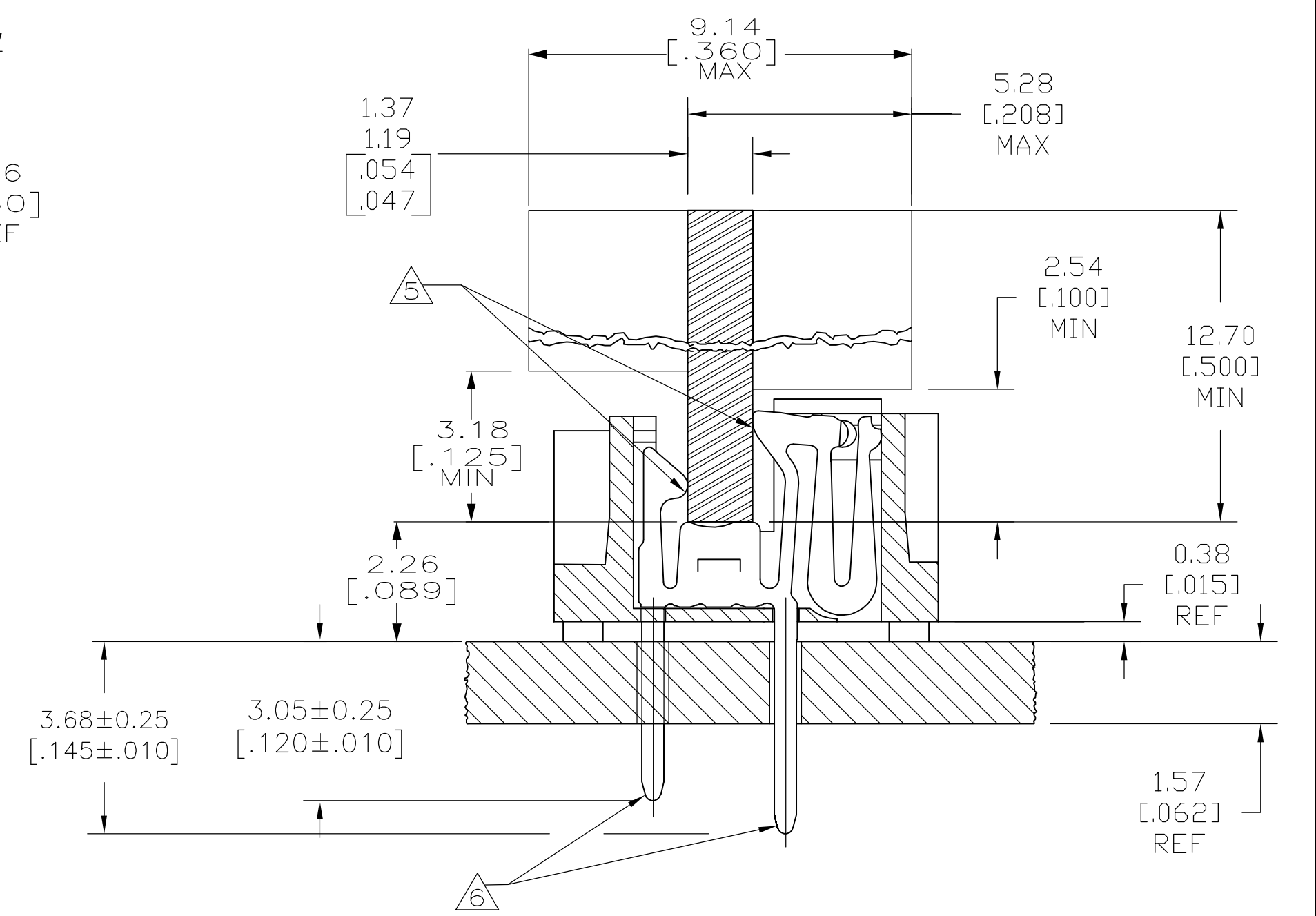


- △ HOUSING-MATERIAL : LIQUID-CRYSTAL-POLYMER, COLOR:NATURAL.
- △ CONTACT-MATERIAL : PHOS. BRONZE.
- △ LATCH-MATERIAL : BRASS, NICKEL PLATE.
- △ CONTACT-PLATE 0.00127 [0.00050] MIN NICKEL ALL OVER.
- △ CONTACT-PLATE 0.00076[0.00030] MIN. GOLD AT CONTACT PTS.
- △ CONTACT SOLDER-TAILS-PLATE 0.00508[0.00200] MIN TIN/LEAD.
- 7. IN ADDITION TO THOSE RECOMMENDED "SIMM" P.C. BOARD DIMENSIONS AND TOLERANCES SHOWN, ALL JEDEC SPECIFICATIONS APPLY AS SHOWN ON MO-116, ISSUE A.
- 8. RECOMMENDED MATING S.I.M.M. TAB METALLURGY:
 BASE METAL-COPPER. PLATING TO BE 0.00076[0.00030] MIN GOLD OVER 0.00127[0.00050] MIN NICKEL.
- △ OBSOLETE.
- △ DATE CODE: (YEAR WEEK) XXXX FORMAT, LOCATED APPROXIMATELY AS SHOWN ON OPPOSITE SIDE.



W/OUT CENTER POST	F	E	D	C	B	A	NO. OF POSN	PART NO
67.31[2.650]	60.55[2.384]	35.56[1.400]	24.13[0.950]	74.93[2.950]	54.61[2.150]	40	△	821997-6
67.31[2.650]	60.55[2.384]	35.56[1.400]	24.13[0.950]	74.93[2.950]	54.61[2.150]	40	△	821997-5
118.11[4.650]	111.35[4.384]	60.96[2.400]	49.53[1.950]	125.73[4.950]	105.41[4.150]	80	△	821997-4
107.95[4.250]	101.19[3.984]	55.88[2.200]	44.45[1.750]	115.57[4.550]	95.25[3.750]	72	△	821997-3
102.87[4.050]	96.11[3.784]	53.34[2.100]	41.91[1.650]	110.49[4.350]	90.17[3.550]	68	△	821997-2
97.79[3.850]	91.03[3.584]	50.80[2.000]	39.37[1.550]	105.41[4.150]	85.09[3.350]	64	△	821997-1

THIS DRAWING IS A CONTROLLED DOCUMENT.		DIN	SJANOS	Tyco Electronics Corporation Harrisburg, PA 17105-3608					
DIMENSIONS: mm [INCHES]		DRN	SJANOS						
TOLERANCES UNLESS OTHERWISE SPECIFIED:		CHK	SJANOS	CONNECTOR, MICRO-EDGE, .050, VERTICAL, GOLD PLATE, METAL LATCH					
0 PLC ± -		APVD	SJANOS						
1 PLC ± -		NAME	M.YEOMANS	SIZE	A1	CAGE CODE	00779	DRAWING NO	821997
2 PLC ± -		APPLICATION SPEC		WEIGHT		SCALE	4:1	SHEET	1 of 1
3 PLC ± 0.13[0.005]		RESTRICTED TO		CUSTOMER DRAWING		REV	T		
4 PLC ± -									
ANGLES ± -									
FINISH									