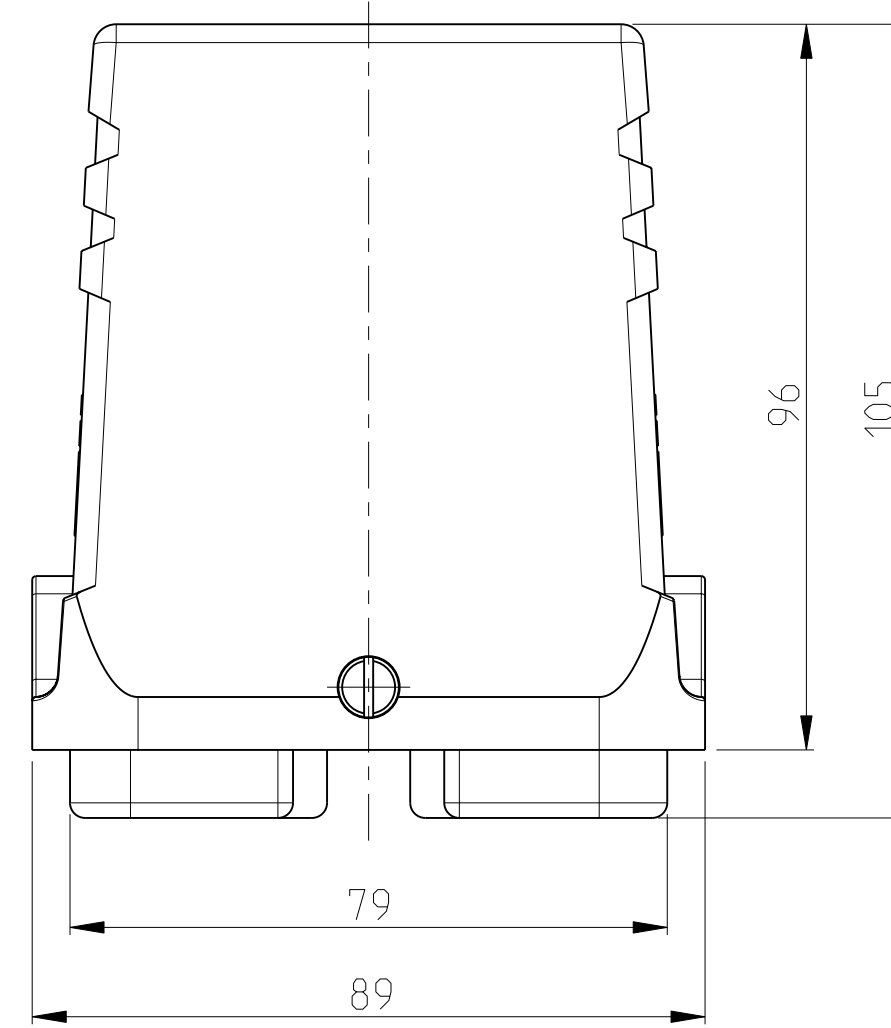
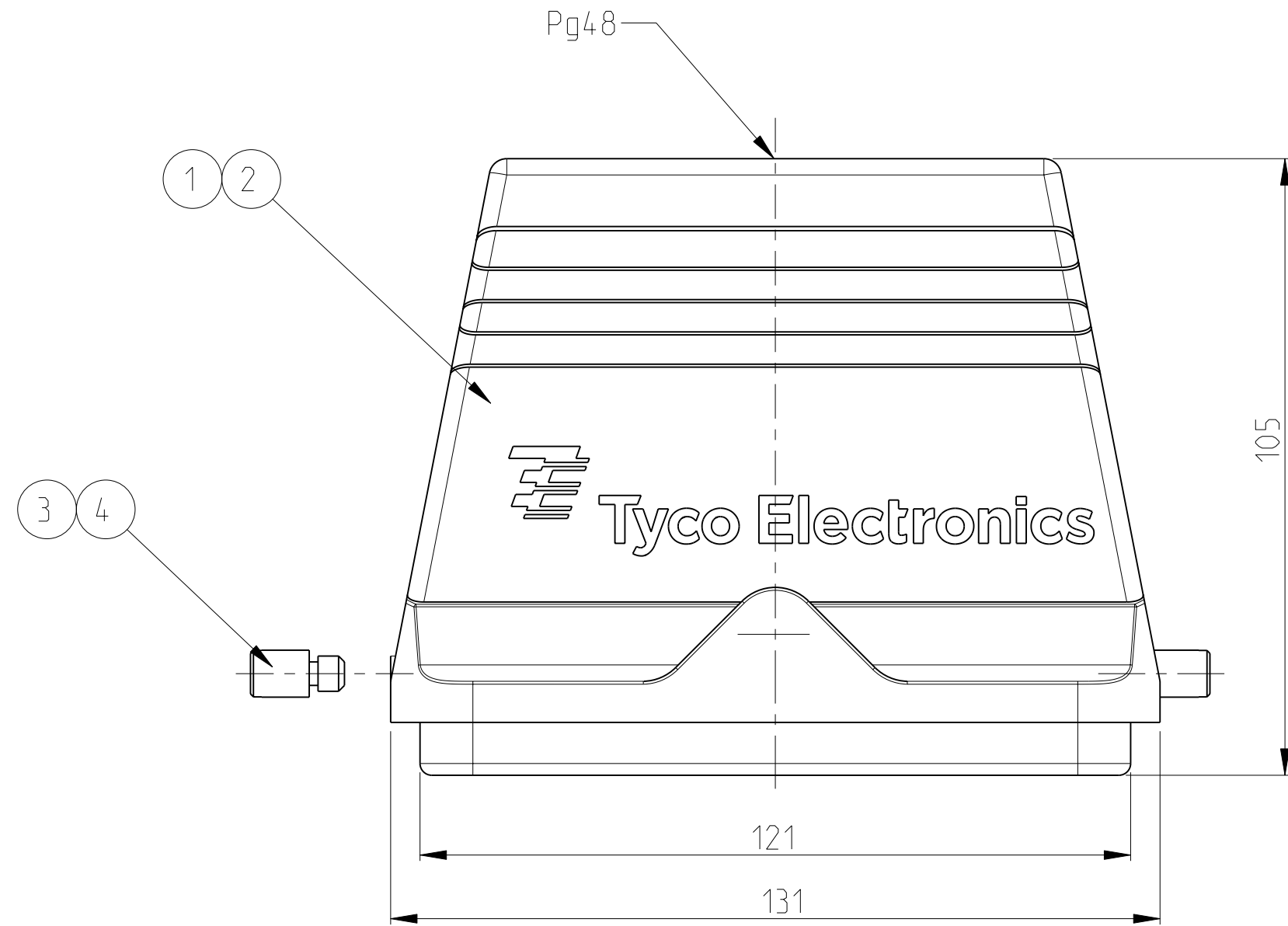


THIS DRAWING IS UNPUBLISHED. RELEASED FOR PUBLICATION 2006
 © COPYRIGHT 2006 BY TYCO ELECTRONICS CORPORATION. ALL RIGHTS RESERVED.

LOC	DIST	REVISIONS			
P	LTR	DESCRIPTION	DATE	DWN	APVD
A2		new pro/E drawing ECR-09-003111	05FEB2009	SR	AR



NOTES

- 1 PART SHALL BE FREE AND CLEAN OF BURRS AND OTHER FOREIGN MATERIAL
- 2 PACKAGING: QUANTITY 3 PIECES
- 3 VARNISHING INSIDE HOUSING NOT REQUIRED

QTY	DESCRIPTION	MATERIAL	SURFACE	COLOR	ITEM	NOTES
2	CLP BOLT	V2A	BLANK		4	
2	CLIP BOLT	STAINLESS STEEL	ZINK PLATED	BLUE	3	
1	HOOD HB-K	ALU	ALUMINIUM OXID	BLACK	2	
1	HOOD HB	ALU		GREY	1	
0-1	0-2	DESCRIPTION	MATERIAL	SURFACE	COLOR	ITEM
		HB.48.STO-GR.1.48.G				
		HB-K.48.STO-GR.1.48.G				

<small>THIS DRAWING IS A CONTROLLED DOCUMENT FOR TYCO ELECTRONICS CORPORATION. IT IS SUBJECT TO CHANGE AND THE CONTROLLING ENGINEERING ORGANIZATION SHOULD BE CONTACTED FOR THE LATEST REVISION.</small>		DWN: 05FEB2009 R.SCHNEIDER CHK: 05FEB2009 T.SCHNURPFEL	tyco Electronics AMP GmbH 53757 Sankt Augustin (Germany)
DIMENSIONS: mm	TOLERANCES UNLESS OTHERWISE SPECIFIED: 0 PLC ±- 1 PLC ±- 2 PLC ±- 3 PLC ±- 4 PLC ±- ANGLES ±1° FINISH	NAME: HOOD HB.48.STO-GR.1.48.G PRODUCT SPEC: - APPLICATION SPEC: - WEIGHT: -	SIZE: A2 CAGE CODE: 00779 DRAWING NO: 1108515 RESTRICTED TO: -
MATERIAL: -		CUSTOMER DRAWING	
		SCALE: 1:1	SHEET 1 OF 1 REV A2