



SERIOUS INTEGRATED MODULE  
SIM102  
USERS MANUAL



## IMPORTANT LEGAL NOTICE

Yes, our attorneys made us put this in. But you really should read and understand this.

Information herein is provided in connection with Serious Integrated, Inc. (“SERIOUS”) products.

The products may be comprised of components designed and manufactured by SERIOUS as well as other vendors. This information may refer to a variety of specifications related to those non-SERIOUS components for informational purposes only, and the user is strongly urged to consult the original manufacturers’ data sheets and other documentation for authoritative specifications.

No license, express or implied, by estoppel or otherwise, to any intellectual property rights is granted by this information.

SERIOUS assumes no liability whatsoever, and SERIOUS disclaims any warranties whether express or implied, written, oral, statutory or otherwise relating to the information and its use, including any liability for warranties relating to fitness for a particular purpose, performance, quality, merchantability, or infringement of any patent, copyright or other intellectual property right. The user is responsible for determining the suitability of SERIOUS products for the intended application and that applicable specifications are met.

SERIOUS makes no representations or warranties with respect to the accuracy or completeness of the information and may make changes to the information, specifications and product descriptions at any time without notice. Designers should not rely on the absence or characteristics of any features or instructions marked “reserved” or “undefined.” SERIOUS reserves these for future definition and shall have no responsibility whatsoever for conflicts or incompatibilities arising from future changes to such features or instructions. SERIOUS products may contain design defects or errors known as errata which may cause the product to deviate from published specifications. Current characterized errata are available upon request.

Use of SERIOUS products in automotive, military, aircraft, space, life saving or life sustaining applications or in any systems where failure or malfunction may result in personal injury, death or severe property or environmental damage is entirely at the buyer’s risk and the buyer agrees to defend, indemnify and hold harmless SERIOUS from any and all damages, claims, suits or expenses resulting from such use.

## TRADEMARKS AND COPYRIGHTS

The “Serious” name and stylized Serious mark are trademarks of Serious Integrated, Inc. The information herein, unless otherwise indicated, is Copyright 2010 Serious Integrated, Inc. Third party brands and names are the property of their respective owners.

**CONTENTS**

IMPORTANT LEGAL NOTICE..... 2

TRADEMARKS AND COPYRIGHTS..... 2

Document Information and Applicable Products ..... 5

    Change History and Applicable Products ..... 5

    Document Conventions..... 5

Introduction ..... 6

    Hardware..... 6

    Software ..... 6

    Usage Models ..... 6

Hardware Architectural Overview ..... 8

    MCU and Touch Screen ..... 8

    On-Module Peripherals..... 8

    On-Module Memory..... 9

    Communications ..... 9

    Power..... 9

Module Feature Detail ..... 10

    MCU..... 10

    Graphic LCD Display..... 10

    Touch ..... 12

    Select Switch, LEDs, and Reset# ..... 12

    Real Time Clock/Calendar (RTCC) with EEPROM and Serial SRAM ..... 13

        RTCC Battery Backup ..... 13

        RTCC Real time Clock Temperature Compensation ..... 14

        Unique Serial Number..... 14

    Serial FLASH..... 14

    Temperature Sensor ..... 14

USB Port .....	15
Power Supplies .....	16
5V to 3.3V Main Power Regulator .....	16
LCD Panel Backlight Power .....	16
USB Power .....	16
Clock/Calendar Battery Power .....	17
Time Keeping, Clock Circuits and Oscillators .....	17
Oscillators .....	18
RTCC and Time Keeping .....	18
CPU and Peripheral Clocks .....	19
RS232 Connector .....	19
Baseboard Connector .....	20
ICSP Debug Connector .....	21
Schematics .....	23


**DOCUMENT INFORMATION AND APPLICABLE PRODUCTS**

**CHANGE HISTORY AND APPLICABLE PRODUCTS**

The following table summarizes major changes to this document and the applicable versions of the product corresponding to this document:

Document Version	Date	Applicable Hardware Versions	Major Changes
A0	12dec10	2.2	<ul style="list-style-type: none"> <li>▸ Initial version for pre-production hardware</li> <li>▸ Updated for production hardware v2.3</li> </ul>
A1	31dec10	2.3	<ul style="list-style-type: none"> <li>▸ LED Backlight section revised: LED Backlight SHDN pin is pulled-down (not up) and tip on backlight PWM possibility added.</li> <li>▸ Schematics updated for changes mentioned above.</li> </ul>

**DOCUMENT CONVENTIONS**

 This symbol indicates an advanced tip for hardware or software designers to extract interesting or unique value from the SIM102.

 **WARNING: You can damage your board, damage attached systems, overheat or cause things to catch fire if you do not heed these warnings.**

## INTRODUCTION

The Serious Integrated Module SIM102 is a complete intelligent graphic/touch front panel for use by Original Equipment Manufacturers (OEMs), custom design shops, and hobbyists to add a sophisticated and user-friendly user interface to their products.

## HARDWARE

SIM102 hardware features include:

- ▶ 3.2" QVGA 18-bit color 320×240 [TFT Touch Display](#)
- ▶ 80MHz 32-bit Microchip [PIC32MX695](#) MCU with 512KB Flash, 128KB RAM
- ▶ 4MB (32Mbit) [Serial FLASH](#) for program, image, and data storage
- ▶ Battery Backed [Real Time Clock/Calendar](#) with 1Kbit EEPROM and 64 bytes parameter SRAM
- ▶ On-Module [Temperature Sensor](#)
- ▶ USB port (host, slave, and OTG modes supported)
- ▶ Baseboard connector: SPI, I2C, USB, Serial, and GPIO ports
- ▶ RS232 debug port
- ▶ Two bi-color LEDs and consumer-friendly “select” pushbutton
- ▶ Microchip standard debug port for [PICKit3](#), [ICD3](#), as well as [ReallICE](#) with the [RJ11 to ICSP Adapter](#)
- ▶ Indoor/outdoor capable: full -40°C to +85°C functionality except touch screen -10°C to +60°C

## SOFTWARE

The SIM 102 is supported by a growing array of both open source as well as Serious proprietary software allowing designers to gain confidence that their essential software can not only get done, but perform to the needed end result. It is very difficult to know, as a designer selecting the hardware for a graphic/touch interface, if the result after many months of software and graphic design will have acceptable performance. Will the system be responsive? Will it be visually attractive? Will the look-and-feel be consistent with the company’s brand image? Serious will continue to address this designers’ dilemma by adding video best-of-class GUI examples, fostering community demos and solutions, and through our proprietary software, tools, and consulting services.

## USAGE MODELS

The SIM102 can be used as a stand-alone controller for a whole system – where all the intelligence and control is in the SIM102 and there are no external components -- or can act just as a front-panel touch/graphic human interface, a sort of “super-keyboard”, to an attached intelligent system. In reality, there are many of usage models in between these extremes.

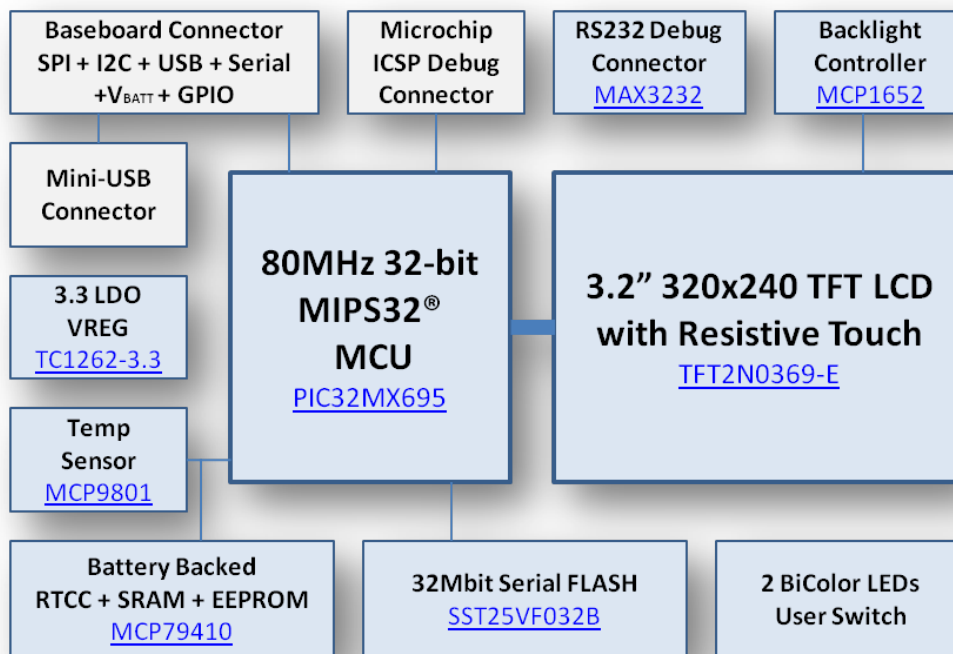
Normally, there is additional functionality in the system beyond the SIM102 from a hardware perspective, and so the SIM102 is connected via the Baseboard Connector to a host system. The Baseboard Connector is quite flexible, utilizing several industry-standard interfaces including I2C, SPI, USB, and high-speed-serial as well as general purpose programmable I/O (GPIO) lines. See the Baseboard Connector section for details.

Often a designer has an existing product with a traditional button-and-segment-LCD user interface and is seeking to give the product an “extreme makeover” with a new front graphic/touch panel. The existing design may already be an intelligent system, such as a pool control system including motor controllers,

valve relays, sensors, and power supply circuits as well as its own microcontroller (MCU). All the user configuration and operation of the system is managed by the existing MCU and its software. Rather than completely redesigning the hardware and software of the existing OEM system, the old front panel can be replaced by a simple connection through the SIM102's Baseboard Connector. The designer can then architect inter-board messages like "pump is on" which could be sent over a chosen serial port (say, I2C) in the Baseboard connector causing visual indicators to change on the display. A GUI on the SIM102 could change user preferences, for instance, sending back messages like "pump on days: MWF" which the baseboard could store in its configuration EEPROM.

The possibilities are endless: the SIM102 module contains not only a powerful MCU but also a suite of hardware features that are commonly needed in many designs. The baseboard for a high-end thermostat, for example, could be as simple as a few relays and a battery.

**HARDWARE ARCHITECTURAL OVERVIEW**



SIM102 Hardware Block Diagram

**MCU AND TOUCH SCREEN**

The heart of the SIM102 is the on-module MCU and graphic/touch LCD screen.

The MCU on the SIM102 is an 80MHz 32-bit Microchip [PIC32MX695](#) with 520KB FLASH memory and 128KB on-chip SRAM. This MCU is one of the most powerful microcontrollers in its class on the market, and is equipped with extensive analog and digital peripherals. Development and debugging of the PIC32 is inexpensive and easy via Microchip’s MPLAB IDE and associated hardware debug tools like the [PICKit3](#).

The touch screen on the SIM102 Rev A is a Truly [TFT2No369-E](#), a 3.2" 18-bit color TFT with integrated 4-wire resistive touch layer. The resistive touch layer returns an analog voltage in two dimensions which can be read by the MCU’s analog-to-digital converters and translated with a simple algorithm into a pixel hit position.

**ON-MODULE PERIPHERALS**

The SIM102 contains numerous on-module peripherals – many common to a vast and diverse set OEM applications, including a battery-backed Real Time Clock/Calendar (RTCC), temperature sensor, USB, SPI, I2C, high speed and RS232 serial ports, EEPROM, bi-color LEDs and user “select” switch and much more.



## ON-MODULE MEMORY

The SIM102 module has a variety of memory for storage of program, data, images, parameters, etc:

### FLASH Memory:

- › 520 Kbytes total FLASH memory within the PIC32 MCU
- › 4 Mbytes (32 Mbits) serial FLASH memory attached via dedicated SPI

### EEPROM Memory

- › 1Kbits EEPROM within the RTCC chip

### RAM Memory

- › 64 Bytes battery backed serial RAM within the RTCC chip accessible via I2C
- › 128 Kbytes RAM within the PIC32 MCU
- › 168.75 KBytes of RAM within the on-glass SSD1289 LCD controller used for graphics frame buffer storage

## COMMUNICATIONS

The SIM102 has numerous off-module communication ports:

### Baseboard Connector:

- › Dedicated and independent SPI, I2C, high-speed serial ports, individually GPIO reclaimable
- › USB 2.0 full speed OTG port (including host, slave, dual-role modes), shared with USB mini connector
- › Two general purpose I/O (GPIO), two signals
- › VBAT signal from the battery back-up
- › System reset

### USB Mini Connector

- › Shared with pins on the Baseboard Connector
- › USB 2.0 full speed slave port

### RS232 Port Connector

- › Standard RS232 port with hardware flow control signals

### Microchip ICSP Debug Connector

- › For connection to Microchip development
- › Compatible with [PICKit3](#), [ICD3](#), as well as [RealICE](#) with the [RJ11 to ICSP Adapter](#)

## POWER

The SIM102 module should be powered with a +5V power supply via the USB port or the power pins on the Baseboard Connector. For development, it is common to power the module via the USB port attached to the PC via a powered USB hub.

The Baseboard Connector also supports the VBAT pin, which provides battery power to the battery-backed real time clock/calendar (RTCC) chip. The RTCC chip uses main system power when possible, and automatically switches to the battery input when main power is lost.



**WARNING: Either the VBAT pin should be powered from the baseboard or a 20mm coin cell can be inserted into the SIM102 but not both: this is not a switched input.**

## MODULE FEATURE DETAIL

### MCU

The MCU on the SIM102 is an 80MHz 32-bit Microchip [PIC32MX695](#). The PIC32 is one of the highest performing microcontrollers in its class, and makes an excellent engine for the SIM102. Features include:

#### MCU Core & Memory

- › 80MHz, 1.56 DMIPS/MHz, 32-bit MIPS M4K® Harvard architecture core with 5 stage pipeline
- › MIPS16e mode for up to 40% smaller code size
- › 512 KBytes Flash plus 12K boot Flash
- › 128 KBytes of wait state RAM
- › Single cycle multiply and hardware divide unit
- › 64 (yes, 64!) 32-bit registers
- › Fast context switching and interrupt response times

#### Key Peripherals

- › USB 2.0 port with host/device/dual-role/OTG modes and integrated PHY and dedicated DMA channels
- › 8 channel general hardware DMA controller
- › Fast and relatively accurate 16 channel 10-bit ADC
- › Hardware RTCC (real-time clock and calendar with alarms)
- › Watchdog timer
- › Numerous SPI, I2C, and high-speed-capable serial ports

Microchip provides extensive documentation of the PIC32 as well as example software: consult [their website](#). In addition, there are many community resources for PIC32 MCU developers, including the [Microchip forums](#) as well as [www.myPIC32.com](#).

### GRAPHIC LCD DISPLAY

The touch screen on the SIM102 Rev A is a [Truly TFT2No369-E](#), a 3.2" 320x240 pixel 18-bit color TFT with integrated 4-wire resistive touch layer. The display has an integrated [Solomon Systech SSD1289](#) controller with integrated RAM frame buffer and landscape/portrait rotation modes. Features include:

Parameter	Value
LCD type	TFT TRANSMISSIVE
Viewing Area	3.189" (81mm) diagonal 64.8mm x 48.60mm
Pixel Dimensions/Depth	320 x 240 16-bit RGB565 18-bit RGB666
On Board Frame Buffer	172,800 Bytes
Backlight Type	5 LED
Power Consumption	
Backlight (typical)	233mW
Base LCD Display (max)	84.24mW
Operating Temperature	
LCD	-10°C to +60°C
SSD1289	-45°C to +85°C

Of particular note are the operating temperature specifications. While the Truly panel is only rated -10°C to +60°C, the SSD1289 itself has a much wider operating range. The user must examine these specifications carefully and [contact Truly](#) as appropriate to understand any potential for, and ramifications of, using the module outside the specified module-level temperature range. Even though the touch screen may not be functionally outside -10°C to +60°C, the rest of the SIM102 is rated -40°C to +85°C so properly designed software can allow the system to continue to function – albeit without the ability for user interaction. This might be useful, for instance, in an outdoor landscape lighting controller where the lighting system could still be automatically operated by the base functionality of the SIM102 in winter, even if it were too cold to modify the settings as the display was inoperable below -10°C.

The LCD touch panel is connected to the PIC32’s Parallel Master Port (PMP) in 16-bit transfer mode:

Signal Name	Signal Description	J4 Pin	MCU Pin	MCU Pin Name
P32_LCD_CS	LCD chip select	39	70	RD10/PMCS2
P32_LCD_RD	LCD read strobe	33	82	RD5/PMRD
P32_LCD_WR	LCD write strobe	34	81	RD4/PMWR
P32_LCD_DC	LCD data/command strobe	35	72	RDo
P32_LCD_Do	LCD data bit 0	32	93	RE0/PMD0
P32_LCD_D1	LCD data bit 1	31	94	RE1/PMD1
P32_LCD_D2	LCD data bit 2	30	98	RE2/PMD2
P32_LCD_D3	LCD data bit 3	29	99	RE3/PMD3
P32_LCD_D4	LCD data bit 4	28	100	RE4/PMD4
P32_LCD_D5	LCD data bit 5	27	3	RE5/PMD5
P32_LCD_D6	LCD data bit 6	26	4	RE6/PMD6
P32_LCD_D7	LCD data bit 7	25	5	RE7/PMD7
P32_LCD_D8	LCD data bit 8	22	90	RG0/PMD8
P32_LCD_D9	LCD data bit 9	21	89	RG1/PMD9
P32_LCD_D10	LCD data bit 10	20	88	RF1/PMD10
P32_LCD_D11	LCD data bit 11	19	87	RF0/PMD11
P32_LCD_D12	LCD data bit 12	18	79	RD12/PMD12
P32_LCD_D13	LCD data bit 13	17	80	RD13/PMD13
P32_LCD_D14	LCD data bit 14	16	83	RD6/PMD14
P32_LCD_D15	LCD data bit 15	15	84	RD7/PMD15
P32_LCD_RESET	LCD reset	10	69	RD9
PS[3:0]	LCD configuration bits	8,5,6,7		
LED+	LED backlight anode	1	-	-
LED-	LED backlight cathode	2	-	-
BACKLIGHT_EN	LCD backlight enable	-	78	RD3/OC4

The highest bandwidth pathway in the system exists between the MCU and the LCD. The LCD contains an on-glass 320x240 pixel RAM frame buffer and the MCU writes and reads the frame buffer through a high speed 16-bit Parallel Master Port (PMP). This interface is DMA capable for transmitting large amounts of data efficiently to the panel.

A pixel-write, for example, involves the MCU writing a pixel-address to the TFT followed by a color. For a whole-frame-fill (for example, a picture being displayed), the amount of data moved can be significant: 320 \* 240 pixels \* 18 bits-per-pixel (2 16-bit-word-writes) is nearly 300Kbytes of data to move in a very short timeframe. Through the use of the MCU’s DMA controller this amount of data can be moved in a fraction of a second to the display.

See the [Truly documentation and specifications](#) for more details on the LCD panel, as well as the [Solomon documentation](#) for programming information.

**TOUCH**

The SIM102 LCD panel has an integrated 4-wire touch layer connected to the Analog-to-Digital Converter of the microcontroller:

Signal	Description	J2 Pin	MCU Pin	MCU Name
TOUCH0	X+	1	34	AN10/RB10
TOUCH1	Y-	2	35	AN11/RB11
TOUCH2	X-	3	41	AN12/RB12
TOUCH3	Y+	4	42	AN13/RB13

The resistive touch layer returns a proportionate voltage in two dimensions which are fed into the MCU’s analog-to-digital converters and can be translated with a simple algorithm into a pixel hit position. Resistive type touch layers have the significant advantage of being robust and usable with a stylus, finger, or any blunt object. Unlike typical capacitive touch screens, resistive touch screens do not require the bare finger and can be used with gloves on – important for certain medical, industrial, and automotive applications. One challenge with resistive touch layers is power: applying power through the resistive layer is required to sense the change in resistance created when touched. Doing a “wakeup” sense therefore requires continuous or (say) 5x per second application of power to the layer, which can cause measurable power consumption from batteries just to detect a wakeup event – defeating the whole purpose of going to sleep in the hardware to save power. One commonly employed option for the system designer in this scenario is to use an actual wakeup/select switch that is wired to a processor interrupt pin so that the resistive layer can be dormant during sleep. The “select” button on the SIM102 can be easily used for this purpose.

**SELECT SWITCH, LEADS, AND RESET#**

The SIM102 has a single consumer-friendly “select” switch below the LCD panel. The switch is connected to an MCU input that is both a general purpose input and also an interrupt input that can wake the MCU from various sleep modes.

Two bi-color red-green LEDs are placed at the lower left and right corners of the module respectively. A bi-color LED is actually two independent LEDs in one package: the LEDs on the SIM102 have red and green LEDs that when both on have an amber hue. The circuit board accommodates the addition of an off-the-shelf press-fit [plastic light pipe](#) (Premier/Farnel p/n 71C3772, Mentor p/n 1275.1001) to deliver the LEDs’ light out through an enclosure.

Signal	Description	MCU Pin	MCU Name
S2#	Switch Input (active low)	20	RE9/INT2
LEDo	Left Red	25	RB3
LED1	Left Green	24	RB2
LED2	Right Red	23	RB1
LED3	Right Green	22	RBo
MCLR#	Reset (active low)	13	MCLR

Many applications, like an irrigation controller for instance, require a clock/calendar.

### REAL TIME CLOCK/CALENDAR (RTCC) WITH EEPROM AND SERIAL SRAM

Many applications, like an irrigation controller for instance, require a clock/calendar.

The SIM102 contains a unique and useful component: the Microchip [MCP7941x series](#) of Real Time Clock/Calendar (RTCC) chips. The core function of this chip is to ensure a clock/calendar for the module (and potentially the whole system). The RTCC chip is more than just a battery backed up clock, however. It also has 1 Kbits (128 Bytes) of EEPROM as well as 64 bytes of battery back serial SRAM and a built-in unique ID.

The RTCC is connected to the MCU via the I2C2 port of the MCU, a shared connection with the I2C temperature sensor. The MCP7941x uses multiple I2C address spaces for SRAM, EEPROM and register access.

The RTCC chip in the SIM102 has an attached 32.768 KHz crystal, and as such “owns” the system 32.768 KHz clock. The logic-level clock output signal from the RTCC’s **MFP** pin is connected into the MCU’s **SOSCO** clock input so that the MCU has access to this clock without a redundant crystal. The RTCC should be programmed to generate the 32.768 KHz in a divide-by-one configuration.

Signal	Description	RTCC		MCU	
		Pin	Name	Pin	Name
P32_SDA	I2C Serial Data	5	SDA	59	RA3/SDA2
P32_SCL	I2C Serial Clock	6	SCL	58	RA2/SCL2
CLK_32KHZ	Generated 32.768 KHz clock to MCU	7	MFP	74	SOSCO

See the [Microchip documentation and specifications](#) for more details on the RTCC chip.

#### RTCC BATTERY BACKUP



**WARNING: Either the VBAT pin should be powered from the baseboard or a 20mm coin cell can be inserted into the SIM102 but not both: this is not a switched input.**

The RTCC chip has two power inputs: a “main” power input connected to the main module power along with a battery input pin called VBAT. The RTCC is normally powered from the main module power, but when main power fails it automatically switches to battery power. Battery power can be supplied by inserted a standard CR2032 type 20mm coin cell into the module or by supplying external

VBAT power on the Baseboard Connector. With a typical battery, the clock/calendar could run for up to several years without replacement. Consult the Microchip [specifications](#) for battery life expectations.

### RTCC REAL TIME CLOCK TEMPERATURE COMPENSATION

The MCP7941x supports calibration for extended accuracy. When combined with the SIM102's on-module temperature sensor, software could be developed to calibrate the RTCC beyond its basic built-in un-calibrated accuracy, though the out-of-the-box precision is usually sufficient for most applications. In addition, the RTCC supports an alarm feature which allows software to set an alarm, put the MCU and associated circuitry in deep sleep, and have the alarm wake the system up at a future time.

### UNIQUE SERIAL NUMBER

The built-in ID in the RTCC can be used as an Ethernet MAC address, but is also used as the serial number for the module. If the printed serial number on the module circuit board is ever rendered unreadable, the built-in ID from the on-module RTCC contains the actual serial number of the module and it can be fetched by writing a small amount of software.

### SERIAL FLASH

The on-module [SST25VF032B](#) serial FLASH is a 32 megabit (4 megabyte) device with 1024 4KByte erasable blocks. It is connected via a dedicated SPI port to the MCU to optimize data transfers, especially when images need to be retrieved on-demand and delivered directly to the display.

The serial FLASH is directly connected to the SPI3 port of the MCU and is not shared by other peripherals. At 25MHz, a full screen 16-bit-per-pixel image could theoretically be streamed via DMA from the FLASH to the display in less than 50 milliseconds.

Signal Name	Description	FLASH Pin	FLASH Name	MCU Pin	MCU Name
P32_SDI	SPI data input	2	SDO	52	RF2/SDA1A
P32_SDO	SPI data output	5	SDI	53	RF8/SCL1A
P32_SCK	SPI clock	6	SCK	48	RD15/SCK1A
P32_SSN	SPI slave select	1	CS	47	RD14/SS1A#

See the [Microchip documentation and specifications](#) for more details on the serial FLASH chip.

### TEMPERATURE SENSOR

The SIM102 contains a relatively accurate [MCP9801 Temperature Sensor](#). The high level specifications for this device are:

Parameter	Value
Accuracy (°C)	
<b>Typical @ 25°C</b>	±0.5°C
<b>Worst Case @ -10°C to +85°C</b>	±1.0°C
Supply Current (µA)	
<b>Typical</b>	220

<b>Max</b>	400
<b>Shutdown Max</b>	1

The sensor supports 9-12 bit resolution, depending on how long you want to wait for a reading, but even 12-bit temperature read operations can typically be done 4 times per second.

Software can be written to use the temperature to help temperature-compensate the RTCC for extreme clock accuracy. See [Microchip’s application note AN1001](#) for an example of this compensation technique.

The temperature sensor is an I2C device, and shares an I2C connection with the RTCC chip. The temperature sensor A[2:0] address bits are hard coded on the module to 0x0 which results in an I2C address A[6:0] of 0x48 and communicates on port I2C2 of the MCU.

Signal Name	Description	TS Pin	TS Name	MCU Pin	MCU Name
P32_SDA	I2C Serial Data	1	SDA	59	RA3/SDA2
P32_SCL	I2C Serial Clock	2	SCL	58	RA2/SCL2
TEMP_ALERT	Temperature Alert Signal	3	ALERT	18	RE8/INT1

The sensor’s TEMP\_ALERT signal is connected to MCU pin RE8 which also doubles as the INT1 interrupt source, and the TEMP\_ALERT signal can be programmed on the sensor to signal the MCU when a programmed temperature limit has been exceeded.

See the [Microchip documentation and specifications](#) for more details on the temperature sensor chip.

## USB PORT

The PIC32 MCU has an on-chip USB 2.0 Full Speed (12Mbit/s) port. It supports host, device, dual-role, and On-the-Go (OTG) modes.

On the SIM102, the D+/D- device-mode pins are exposed on the standard mini-USB connector. This connector can also provide power into the whole module, assuming the USB source has sufficient power capabilities. Some notebook/netbook USB ports cannot provide sufficient power, especially when the display backlight is turned on, and it is recommended that when powering from the USB port that a powered hub is used. Note that the mini-USB connector does not provide power output, even when the port is placed in host mode. Host modes (including supplying power out to a USB device like a thumb drive for instance) are only accommodated through a user-designed baseboard circuit.

Power is automatically switched between the USB port and the Baseboard Connector +5VDC pins: whichever voltage is higher is used by the board, and power applied to the Baseboard Connector +5VDC pins will not flow to the mini-USB pin.

**WARNING:**  
 **The Vusb pin on the Baseboard Connector is directly connected to the V+ pin on the mini-USB connector. DO NOT connect both to a power supply simultaneously.**

Microchip provides extensive documentation of the PIC32 as well as example software: consult [their website](#). In addition, the [Microchip software libraries](#) include USB host, device, dual-role, and OTG example source code.

## POWER SUPPLIES

### 5V TO 3.3V MAIN POWER REGULATOR

The SIM102's primary internal voltage is 3.3V  $\pm 5\%$  delivered by the TC1262-3.3 low dropout (LDO) regulator. The input to that regulator can be power from either on the V<sub>USB</sub> pin Baseboard Connector or the V+ pin on the mini-USB port or the +5V pins on the Baseboard Connector.

On-module circuitry allows USB power and the +5V pins on the Baseboard connector to both be connected without contention: the higher voltage of the two being automatically used. For example, if the baseboard has a complete power supply supplying power to the SIM102 and a user plugs a laptop into the module via the mini-USB port, both the baseboard and the laptop are delivering power to the module. Whichever source's voltage is higher will be used by the module: a simple pair of diodes prevents the two sources from being connected together.

**WARNING:**

**The V<sub>usb</sub> pin on the Baseboard Connector is directly connected to the V+ pin on the mini-USB connector. DO NOT connect both to a power supply simultaneously.**

### LCD PANEL BACKLIGHT POWER

The other power supply circuit on board drives the LED backlighting on the LCD panel. The LCD panel backlight requires approximately 15.5 volts @ 15mA = 233mW of power: the single largest user of power in the system. The on-module [MCP1650 backlight controller chip](#) boosts the input +5V power directly to the 15.5V required by the LCD panel; there is no need for an additional power supply input – all module power is derived from the +5V input (whether supplied via the USB or Baseboard Connector).

In battery powered systems, software should carefully manage the backlight to be powered on as infrequently and for as short a time as possible.

The backlight is turned on and off simply by toggling MCU port bit RD<sub>3</sub>/OC<sub>4</sub>. This is an active high signal, so setting the port to “1” turns the backlight on. The port bit on the MCU cold-resets to tri-state, and an external pull-down resistor ensures the backlight is off during power up and stays off until the software purposely turns it on.



RD<sub>3</sub>/OC<sub>4</sub> is usable as a pulse-width-modulated output (PWM). The Microchip [MCP1650 Multiple White LED Demo Board User's Guide](#) section 2.3.3 discusses the ability of modulating the MCP1650's SHDN pin to vary LED intensity.

### USB POWER

As mentioned above, the main 3.3V LDO regulator takes power from either the USB input or the +5V pins on the Baseboard Connector. Therefore, the module can be powered from the mini-USB jack from a powered USB source (like a powered USB hub, or a PC USB port that has sufficient power) or from a baseboard with its own power circuit.



Note that the SIM102 does not contain the power supply or connector for a USB host port. For instance, if you want to connect a thumb drive into the SIM102, the thumb drive needs the correct connector to plug into as well as to be supplied +5V to operate. All the signals needed to drive a USB host port are available on the Baseboard Connector, and a simple power supply can be constructed on the baseboard with the correct connector to enable this. An upcoming *Serious* application note will elaborate: check [mySerious.com](http://mySerious.com) or contact Serious technical support on the [mySerious.com](http://mySerious.com) site for more information.

---

## CLOCK/CALENDAR BATTERY POWER

The SIM102 has a 20mm coin cell holder designed to accommodate a common CR2032-type 3V battery. This is not designed to be a rechargeable battery, nor does any circuit on the SIM102 supply power so as to charge this battery. The only purpose and connection of this coin cell is to provide backup power (called “VBAT”) to the MCP794xx RTCC chip to keep the clock/calendar running in the event that the main 5V power supply is removed. Consult the Microchip data sheet for exact specifications, but this battery can potentially keep the RTCC clock keeping time for several years without replacement. The RTCC chip automatically switches to use the coin cell power only when main power is not available, so in a system that normally has main power applied, the coin cell is used infrequently. However, in systems where the main power is supplied by a larger (say) rechargeable battery pack that commonly runs out after a few hours of use (like in a hand held portable device), the coin cell and RTCC chip could provide an excellent supplementary facility for maintaining information. See the Clock/Calendar section for more information.

Note that the Baseboard Connector also has the VBAT pin on it. This pin is **directly connected** to the +ve side of the coin cell holder:



**WARNING: Either the VBAT pin should be powered from the baseboard or a 20mm coin cell can be inserted into the SIM102 but not both: this is not a switched input.**

There are two ways of using the VBAT pin on the Baseboard Connector: as an input or an output of backup power.

As an input, the system designer can ignore the coin cell holder on the SIM102 (and never populate it) and drive the VBAT pin on the Baseboard Connector from a different coin cell or backup power source.

As an output, the system design can populate the coin cell holder and use the VBAT pin on the Baseboard Connector to drive some other device on the baseboard that needs a 3V battery backup supply. Of course, this power adds to the power needed by the RTCC chip and will likely reduce the lifetime of the coin cell.

## TIME KEEPING, CLOCK CIRCUITS AND OSCILLATORS

This discussion can be very confusing without some well-defined terminology:

- Clock:** a square-wave logic-level periodic signal – NOT a clock as in a timekeeping clock of time/date/minutes/hours, etc.
- Oscillator:** a crystal or resonating oscillator circuit that creates a fixed-frequency sine wave used in a specific circuit to create a clock signal

**RTCC:** a real time clock/calendar which keeps track of the correct time/date as set by the end user or some other means.

There are many producers and consumers of stable clock signals (or “clocks”) on the SIM102.

---

## OSCILLATORS

All clocks – including, for instance, the 80MHz CPU core clock, the 12MHz USB clock, and a 9,600baud serial port clock – can be traced back to an originating oscillator source somewhere. There are 5 oscillators in the SIM102:

- 1) The relatively accurate 32.768 KHz crystal oscillator attached to the RTCC chip. This oscillator is the source of all time and date keeping in the system.
- 2) The relatively accurate 8MHz crystal oscillator attached to the MCU, which is multiplied and divided in a variety of ways inside the MCU to generate the 80MHz the MCU runs at as well as all the different peripheral clocks
- 3) The internal 8MHz  $\pm 2\%$  oscillator inside the PIC32 MCU, which can be used in lieu of the external 8MHz crystal oscillator.
- 4) The internal 750KHz oscillator inside the backlight controller chip used to boost the 5V to 15.5V needed by the LCD’s LED backlight circuit
- 5) The internal pixel oscillator/clock inside the LCD module that delivers pixels to the glass at a fixed rate

These last two oscillators are mentioned for completeness only; there oscillators in the module are not normally accessible or used outside their intended function.



The difference between the internal and external 8MHz oscillators on the PIC32 is worth some discussion. The external crystal is rated for operation  $-40^{\circ}\text{C}$  to  $+85^{\circ}\text{C}$ , the same range as the PIC32. Its accuracy is far better than the internal 8MHz  $\pm 2\%$  (non-crystal) free-running oscillator. USB standards require you to use the external crystal oscillator as  $\pm 2\%$  is not strict enough to meet USB requirements. There is no obvious reason on the SIM102 to use the internal free-running oscillator.

---

## RTCC AND TIME KEEPING

Time keeping (i.e. year/month/day/hour/etc.) can be done in two places in the SIM102. The RTCC chip provides the capability of a battery-backed RTCC at extremely low power. As mentioned, the 32.768 KHz oscillator is attached to the RTCC chip. It has the ability to drive a clean 32.768 clock output which is connected to the PIC32’s internal RTCC circuit. These two RTCC capabilities are nearly identical from a software perspective. The difference: the external RTCC is battery-backed, whereas every time the main power is lost the time/date within the PIC32’s RTCC is lost.

The most common way of using these dual RTCC capabilities is to, on cold boot, have software fetch the external battery-backed RTCC and set the PIC32’s internal RTCC based on that value. Then software in the PIC32 can rely on the internal RTCC during normal operation. If the user (or other capability) “sets” the clock, the software can write both the internal and external RTCC.

Note that the RTCC chip must be configured (via software and registers) to deliver the 32.768 KHz clock output to the PIC32 properly, and the PIC32 also must be configured to use that clock input correctly to drive its internal RTCC.

Like all timekeeping devices, the RTCC will drift over time. Few timepieces are perfectly accurate! The drift and resulting inaccuracy are determined by the accuracy of the 32.768 KHz oscillator. Temperature variance is the most common culprit: crystals have slight variation in frequency over temperature. As mentioned in the RTCC section, software can be written to use the temperature sensor and the characteristics of the crystal to partially compensate for this effect resulting in a more accurate timekeeping capability.

## CPU AND PERIPHERAL CLOCKS

The SIM102 uses the external 8MHz crystal oscillator attached to the PIC32’s input clock circuit as the primary source for all non-timekeeping clocks in the system.

The PIC32 MCU, like all modern MCUs, has a sophisticated internal clock management circuitry which takes a few originating clock frequencies and out of those few inputs delivers a plethora of derivative clocks – some higher frequency, some lower. For instance, the PIC32 MCU can take a single 8MHz input clock and create derivative clocks like the core 80MHz MCU CPU clock as well as the clocks needed for various serial ports, like the (typically) 25MHz SPI port to the serial FLASH, a 9600 baud serial port clock, and the 12MHz clock on the USB port. The complexity and capabilities of the PIC32 MCU clock system are beyond the scope of this guide: consult the Microchip documentation for a complete description.

## RS232 CONNECTOR

The venerable RS232 port, despite rumors of its demise, is still alive and well. While the Baseboard Connector has a high speed serial port capability at 3.3V levels, the RS232 connector delivers a full voltage RS232 port. Transmit and Receive signals (Tx, Rx) are complemented by hardware handshaking capability (RTS, CTS). The use of the hardware handshaking is at the discretion of the software that configures the PIC32’s serial port. The MCU utilizes the UART port 3 for the RS323 port.

The header connector is identical to that still found on modern PC motherboards: a standard 10 pin (2x5) 0.1” header (commonly called an “IDC-10” header) that assumes it is the “terminal” (vs. “modem” or “peripheral”) in the RS232 relationship. J3 conforms to the new Intel/AT/Everex standard:

IDC-10 Header Pin	DB9 Male Pin	RS232 Signal Name	RS232 Signal Description	SIM102 Signal	MCU Pin	MCU Pin Name
1	1	DCD	Data Carrier Detect			
2	2	<b>RXD</b>	<b>Receive Data</b>	<b>P32_UART_RX</b>	49	<b>RF4/U3ARX</b>
3	3	<b>TXD</b>	<b>Transmit Data</b>	<b>P32_UART_TX</b>	50	<b>RF5/U3ATX</b>
4	4	DTR	Data Terminal Ready			
5	5	<b>GND</b>	<b>Electrical Ground</b>		<b>GND</b>	
6	6	DSR	Data Set Ready			
7	7	<b>RTS</b>	<b>Request to Send</b>	<b>P32_UART_RTS</b>	39	<b>RF12/U3ARTS#</b>
8	8	<b>CTS</b>	<b>Clear to Send</b>	<b>P32_UART_CTS</b>	40	<b>RF13/U3ACTS#</b>
9	9	RI	Ring Indicator			
10/key	-	-	-			

The SIM102 utilizes this header connector vs. a traditional DB9 primarily because many designs will want that serial port to be a board-to-board connector, with the other end of the RS232 port on the baseboard. A DB9 cannot accommodate this usage model. Also, some systems would prefer a ribbon/header cable for the RS232 between boards. A DB9 cable is more expensive and significantly bulkier than a ribbon/header connector, and could get in the way of some mechanical system designs. Lastly, since many designs will not need the RS232 port and a 0.1" header is cheaper than a DB9, module prices are kept lower. If a DB9 without a cable is essential, either male or female, terminal or modem, the baseboard can accept the RS232 port's header as a board-to-board connector and route the signals appropriately to a baseboard DB9 connector.

An off-the-shelf "new Intel"/AT/Everex IDC-10 to DB9 male cable is inexpensive and easily found: a local [Fry's Electronics](#) had 10 in stock at less than \$4. Online sources include [here](#), [here](#) and [here](#).

**There are two different IDC-10 pin out formats: make sure you get the (more common) new Intel/AT/Everex 1-1, 2-2, 3-3... format, not the old Intel/DTK format.** There has been significant confusion and debate on this difference in formats on the web, especially since Intel switched in the mid-2000's. This simple cable allows direct connection to traditional RS232 peripherals like serial printers.

However because this standard cable delivers an RS232 "terminal" experience via a DB9 male if connected to another "terminal" like a PC serial port or USB-to-Serial-cable, there needs to be a null modem adapter as well as a gender adapter (female-to-female) in between. One of the most common DB9 cables is a DB9-female-to-DB9-female-null-modem-cable; online sources include [here](#), [here](#) and [here](#). Alternatively, since most of the IDC-10 cables have a soldered DB9 male, it is possible to replace it with a little bit of soldering to a rewired DB9 female (crossing RX/TX, CTS/RTS, etc) and creating a complete all-in-one null modem cable.



Note that the RS232 header is exactly in-line with the Baseboard Connector, with a 0.2" gap in between. This allows for a single long female header connector on the baseboard to accept both the Baseboard Connector as well as the RS232 port. Alternatively, the 0.2" gap allows for separate ribbon cable header connectors to be used without mechanical conflict.

## BASEBOARD CONNECTOR

Much has been discussed already about the Baseboard Connector. In many systems, there will be extensive circuitry on some other board (called here the "baseboard"). The Baseboard Connector is the primary vehicle for making the SIM102 connected to another system, whether used as a board-to-board connector or with a ribbon/header cable. The Baseboard Connector is quite flexible. It can support the I2C, SPI, high speed serial, USB (OTG, Host, Device, and dual-role) as well as GPIO, battery backup power, system reset, and more.



A careful examination of the PIC32 documentation yields the ability to reconfigure many of these pins to other modes, including GPIO. The 4 pin SPI port, for instance, can be reconfigured as 2 I2C ports (for 3 total on the connector) or 1 I2C + 1 Serial (yielding 2 I2C and 2 Serial on the connector).

<b>Signal Name</b>	<b>Description</b>	<b>J6 Pin</b>	<b>MCU Pin</b>	<b>MCU Name</b>
GND	Module Ground	1	-	-
GND	Module Ground	2	-	-
HOST_SSN/RX	Host SPI 2A Slave Select or UART 2B Receive Data RX or UART 2A Clear to Send CTS#	3	14	SPI: SS2A# UART:U2BRX UART:U2ACTS# RG9/CN11
VBAT	VBAT battery backup power to RTCC if coin cell not inserted VBAT battery backup power from coin cell if inserted	4	-	-
HOST_SDI/SDA	Host SPI 2A Data In or I2C 2A Serial Data or UART 2A Receive Data RX	5	11	SPI:SDI2A I2C:SDA2A UART:U2ARX RG7/CN9
HOST_SDO/SCL	Host SPI 2A Data Output or I2C 2A Serial Clock or UART 2A Transmit Data TX	6	12	SPI:SDO2A I2C:SCL2A UART:U2ATX RG8/CN10
USBID	USB ID	7	51	RF3/USBID
HOST_SCK/TX	Host SPI 2A Clock or UART 2B Transmit Data TX or UART 2A Ready To Send RTS#	8	10	SPI:SCK2A UART:U2BTX UART:U2ARTS# RG6/CN8
D+	USB data positive signal	9	57	D+/RG2
D-	USB data negative signal	10	56	D-/RG3
HOST_GPIO1	I2C 1 Clock or Host programmable General Purpose I/O	11	66	SCL1/INT3/RA14
HOST_GPIO2	I2C 1 Data or Host programmable General Purpose I/O	12	67	SDA1/INT4/RA15
+5V_USB	USB +5V signal	13	54	VBUS
P32_MCLR	MCU reset signal, active low	14	13	MCLR
HOST_VDD	+3.3V from Host	15	-	-
HOST_VDD	+3.3V from Host	16	-	-

### ICSP DEBUG CONNECTOR

The Microchip standard ICSP debug connector allows simple connection to various Microchip debuggers and programmers, including the very inexpensive Microchip [PICKit3](#), flexible and powerful [ICD3](#), as well as the full featured [RealICE](#) when used with the [RJ11 to ICSP Adapter](#).

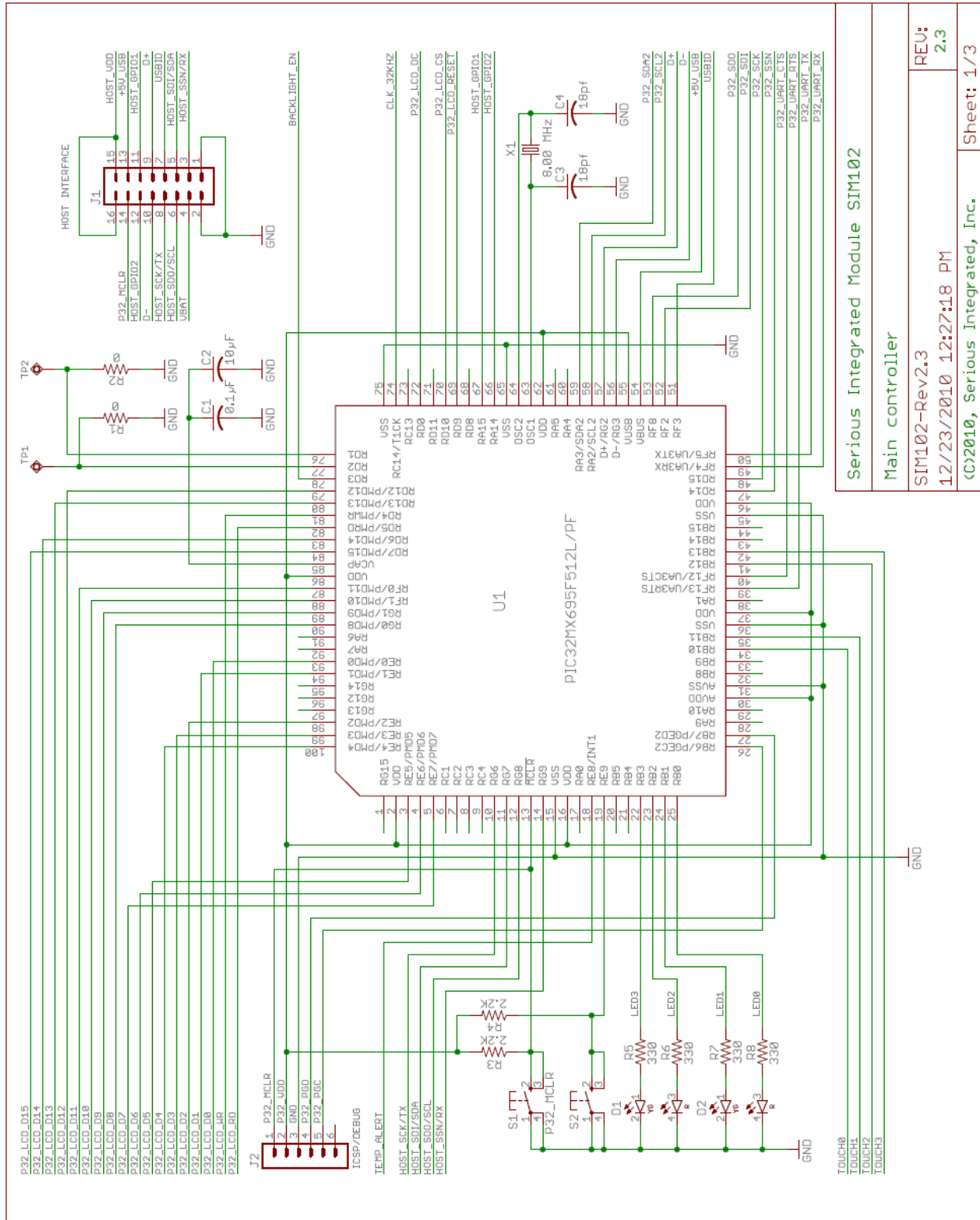
<b>Signal Name</b>	<b>Description</b>	<b>J1 Pin</b>	<b>MCU Pin</b>	<b>MCU Name</b>
P32_MCLR	Master Clear (Reset)	1	13	MCLR#
P32_VDD	+3.3V of the MCU/system	2	-	-

GND	Ground of the MCU/system	3	-	-
P32_PGD	MCU Program Data	4	27	PGED2/RB7
P32_PGC	MCU Program Control	5	26	PGEC2/RB6

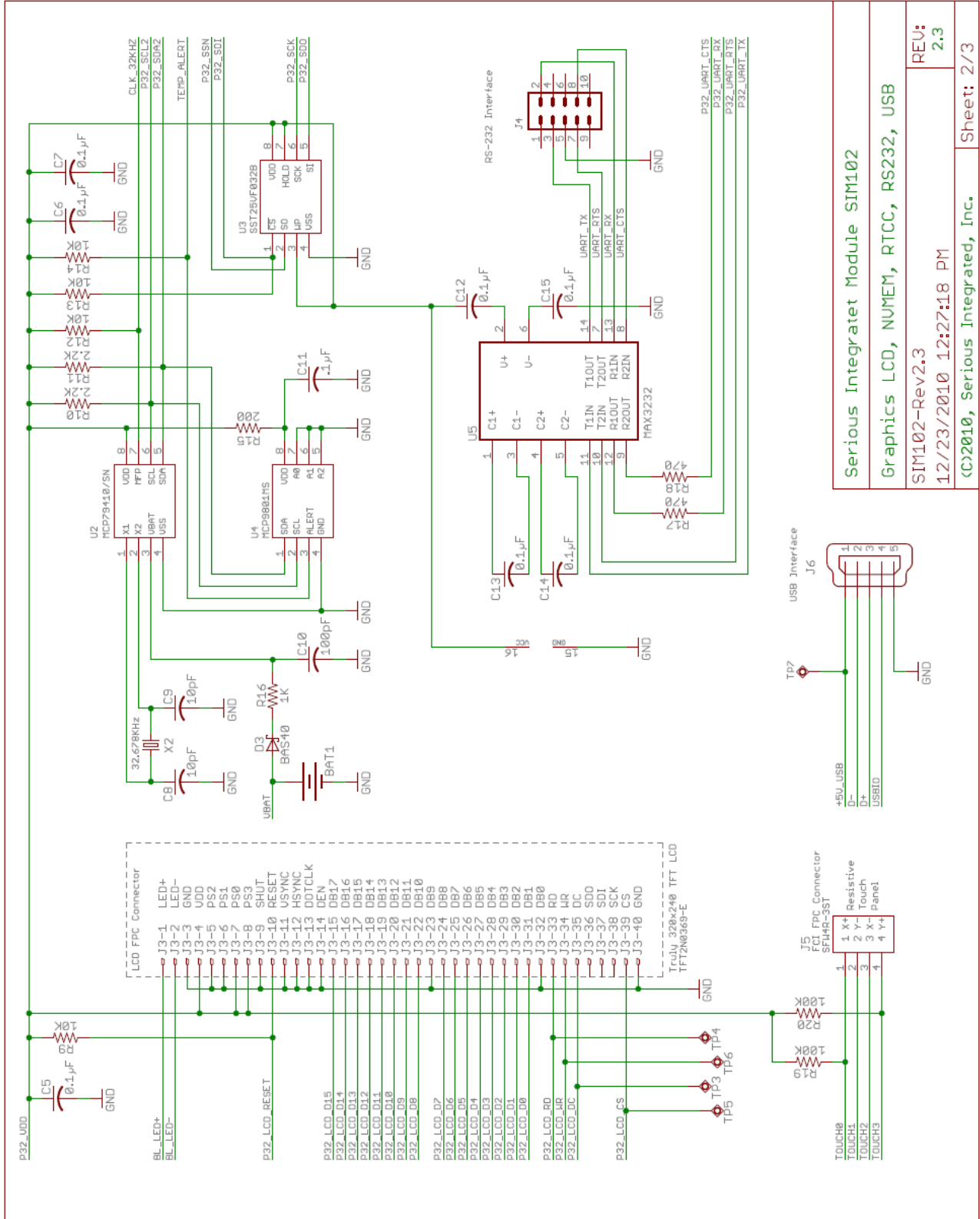


This connector is purposely at a right angle to allow easy access to the various programmer/debuggers. For prototyping you could replace (at your own risk!) this right angle with a straight connector and it would conform to the in-line board-to-board mechanical philosophy of the RS232 port and Baseboard Connector, allowing you to do a board-to-board arrangement and (optionally) putting an RJ11 adapter on the baseboard for simple connectivity to the [RealICE](#) system.

SCHEMATICS

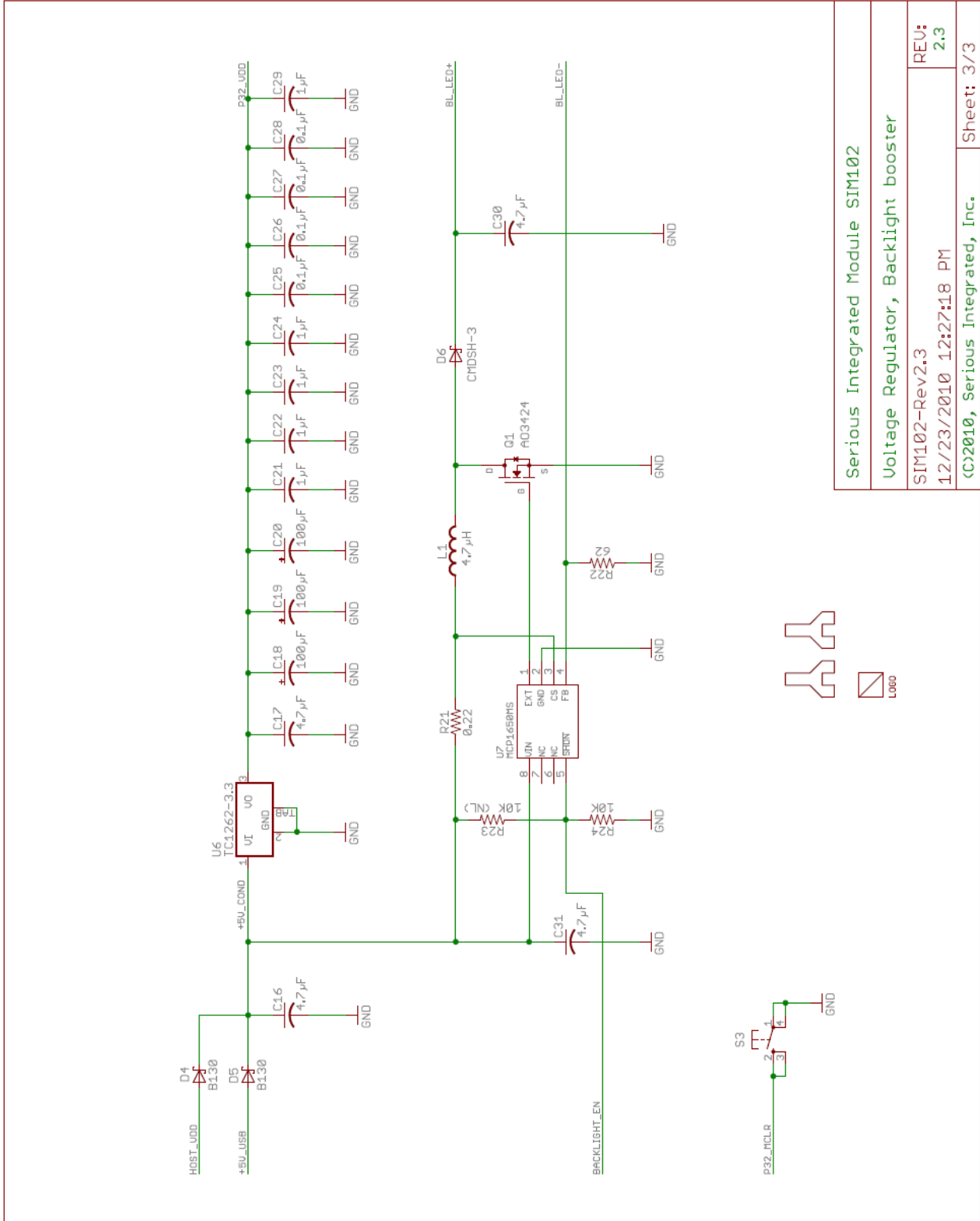


Serious Integrated Module SIM102	
Main controller	
SIM102-Rev2.3	REV: 2.3
12/23/2010 12:27:18 PM	
(C)2010, Serious Integrated, Inc.	Sheet: 1/3



Serious Integrated Module SIM102	
Graphics LCD, NUMEM, RTCC, RS232, USB	
SIM102-Rev2.3	
12/23/2010 12:27:18 PM	
REV:	2.3
(C)2010, Serious Integrated, Inc.	
Sheet:	2/3





Serious Integrated Module SIM102	
Voltage Regulator, Backlight booster	
SIM102-Rev2.3	REV: 2.3
12/23/2010 12:27:18 PM	
(C)2010, Serious Integrated, Inc.	Sheet: 3/3