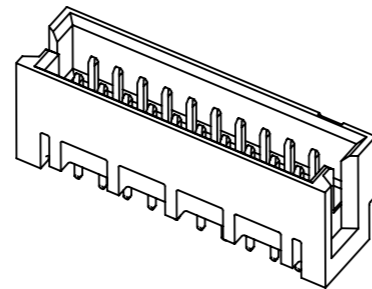
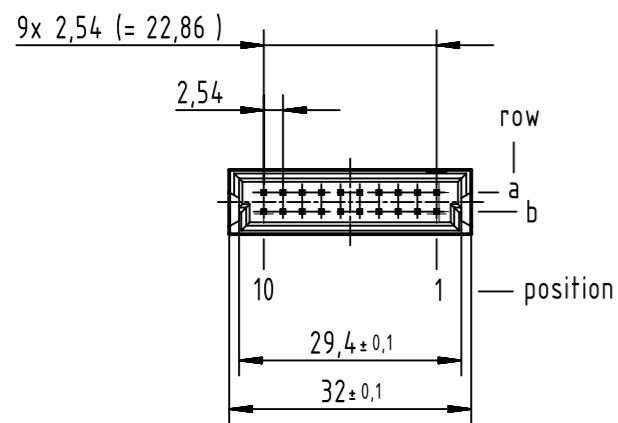
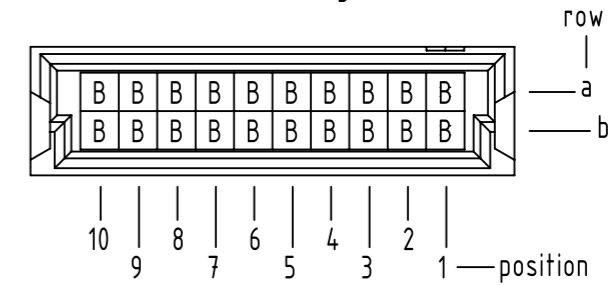


**B (2:1)**  
contact loading



1 further information see: DS 09731100001

09751206592	2
part no.	performance level 1

	All rights reserved	Created by	Inspected by	Standardisation	Date	State	
	Department EC PD - DE	HASELOH	JASCHKE	HOFFMANN	2013-11-22	Final Release	
HARTING Electronics GmbH		Title				Doc-Key / ECM-Nr.	
D-32339 Espelkamp		DIN Signal type 3Q male solder 2.5mm 20-pole				100223825/UGD/006/A 50000068802	
Type	TB	Number	0975120X592			Rev.	Page
						A	1/1