

LOC		DIST		REVISIONS			
GP	00	P	LTR	DESCRIPTION	DATE	DWN	APVD
		A1		REVISED PER ECO-09-021480	08OCT2009	CR	DG

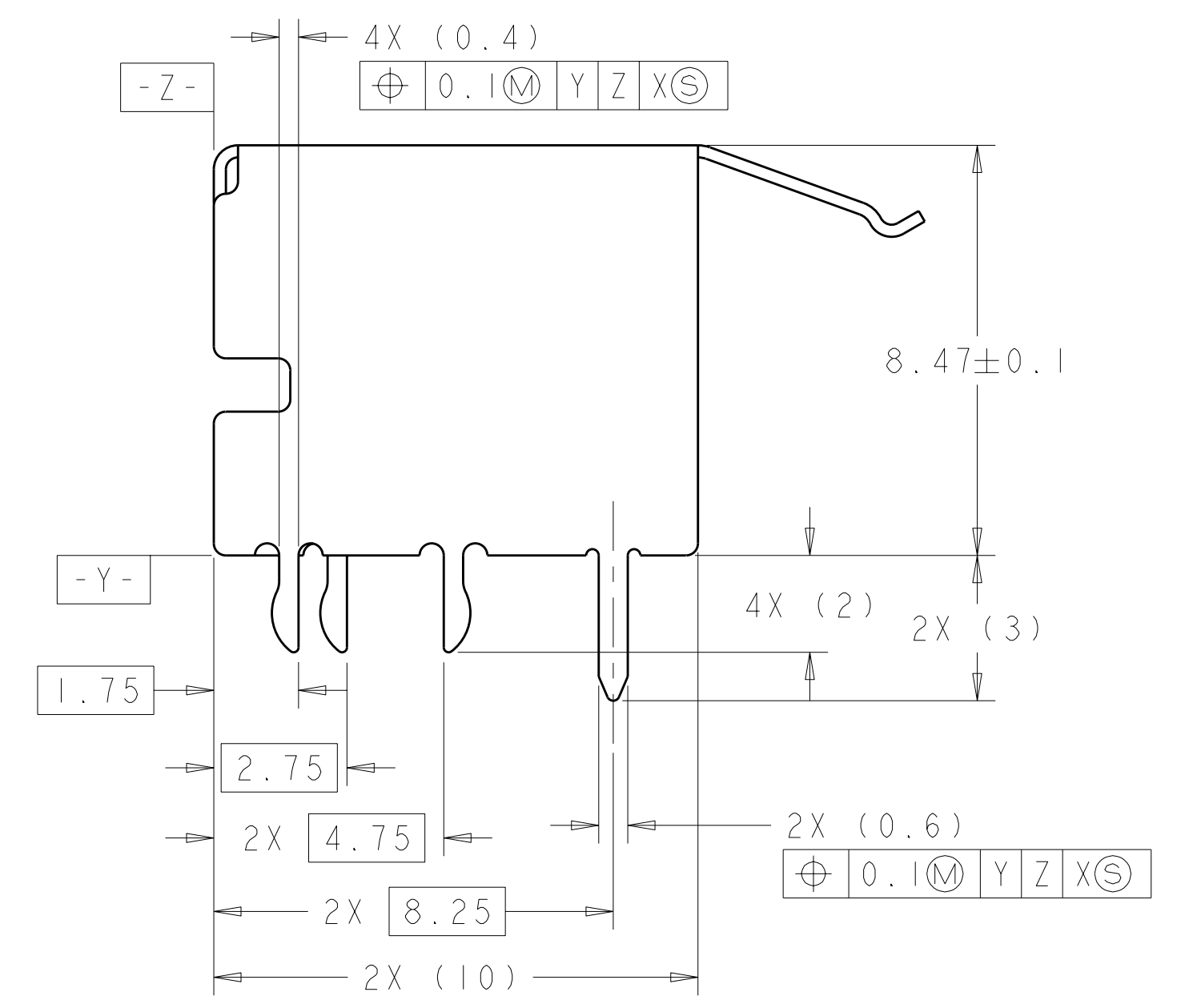
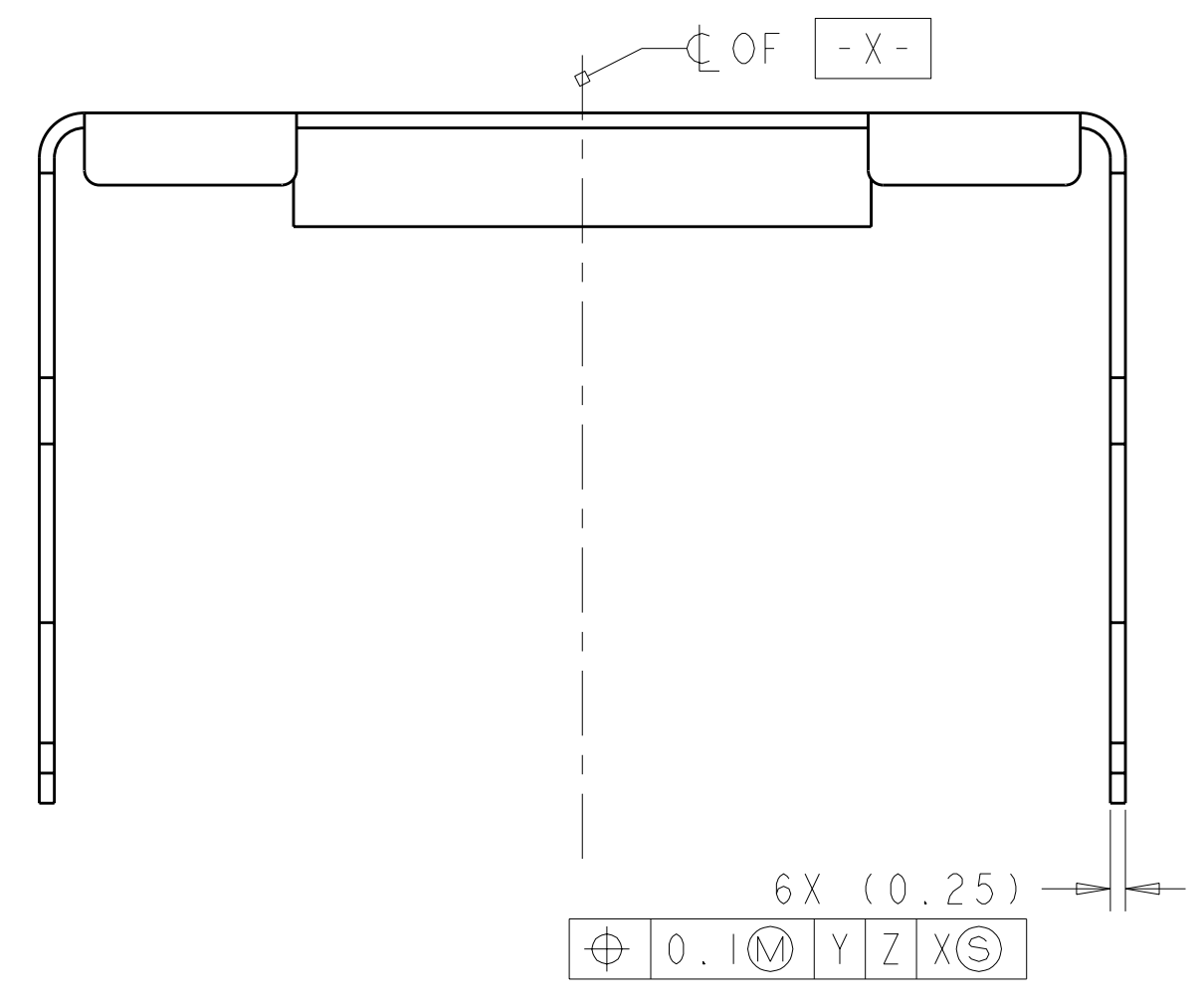
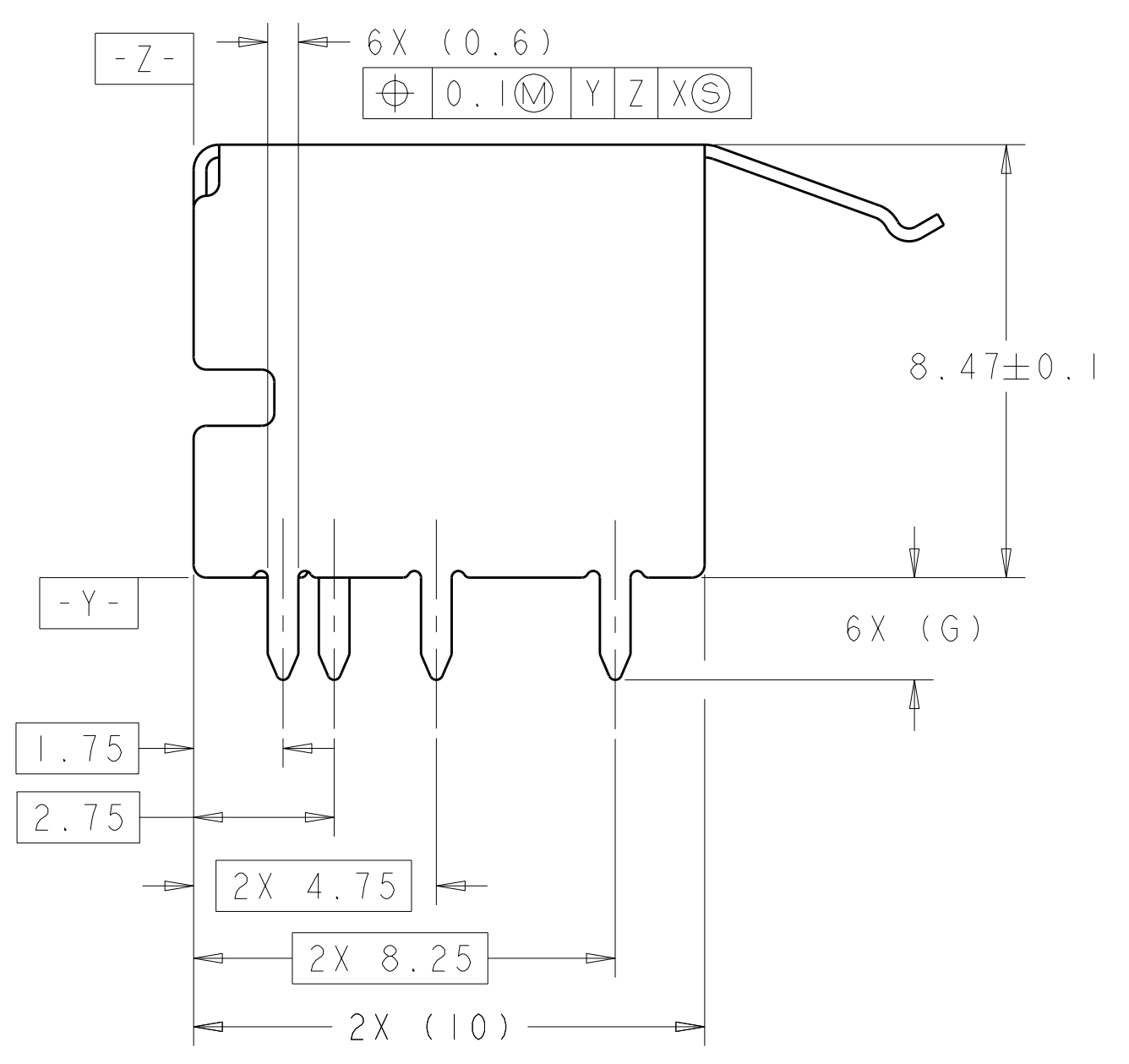
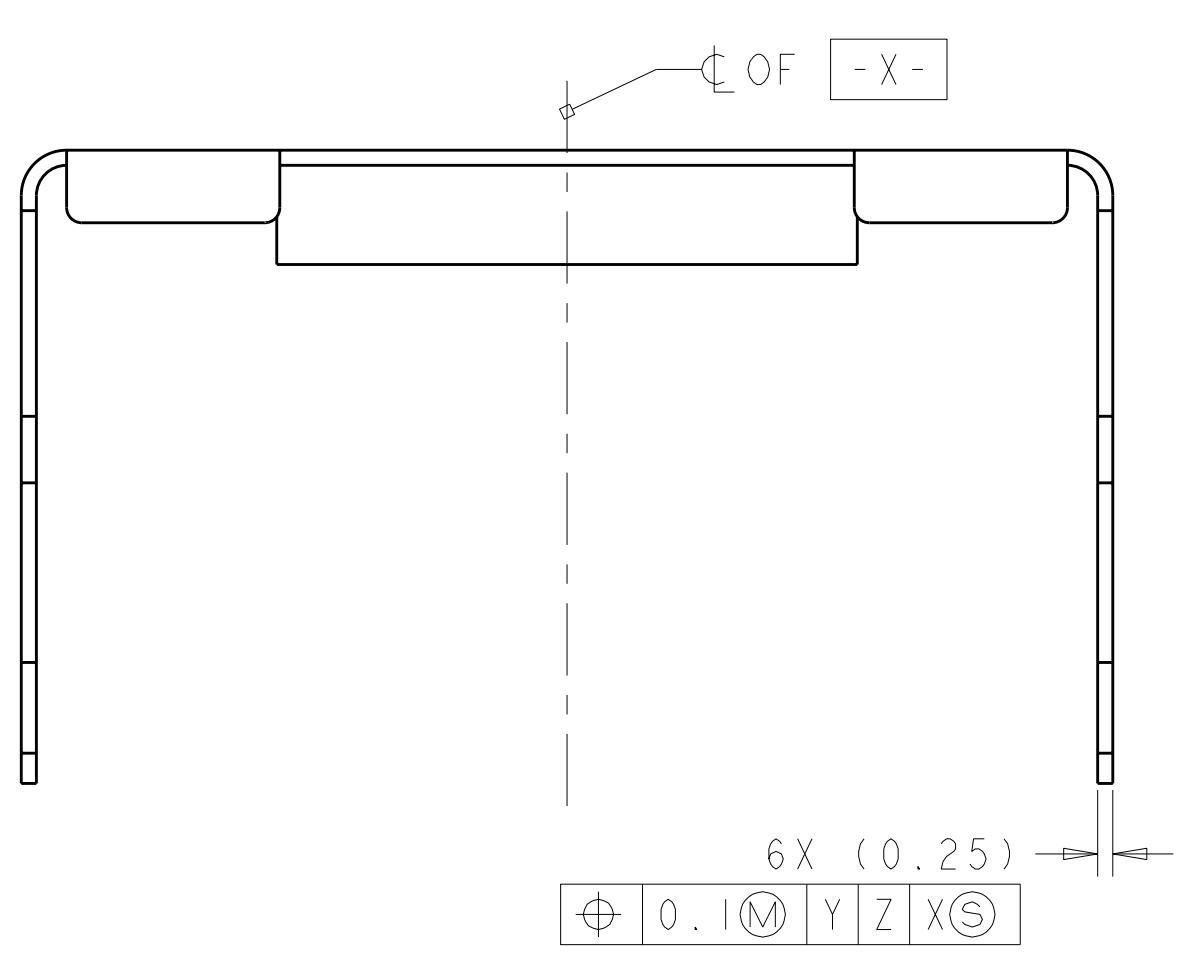
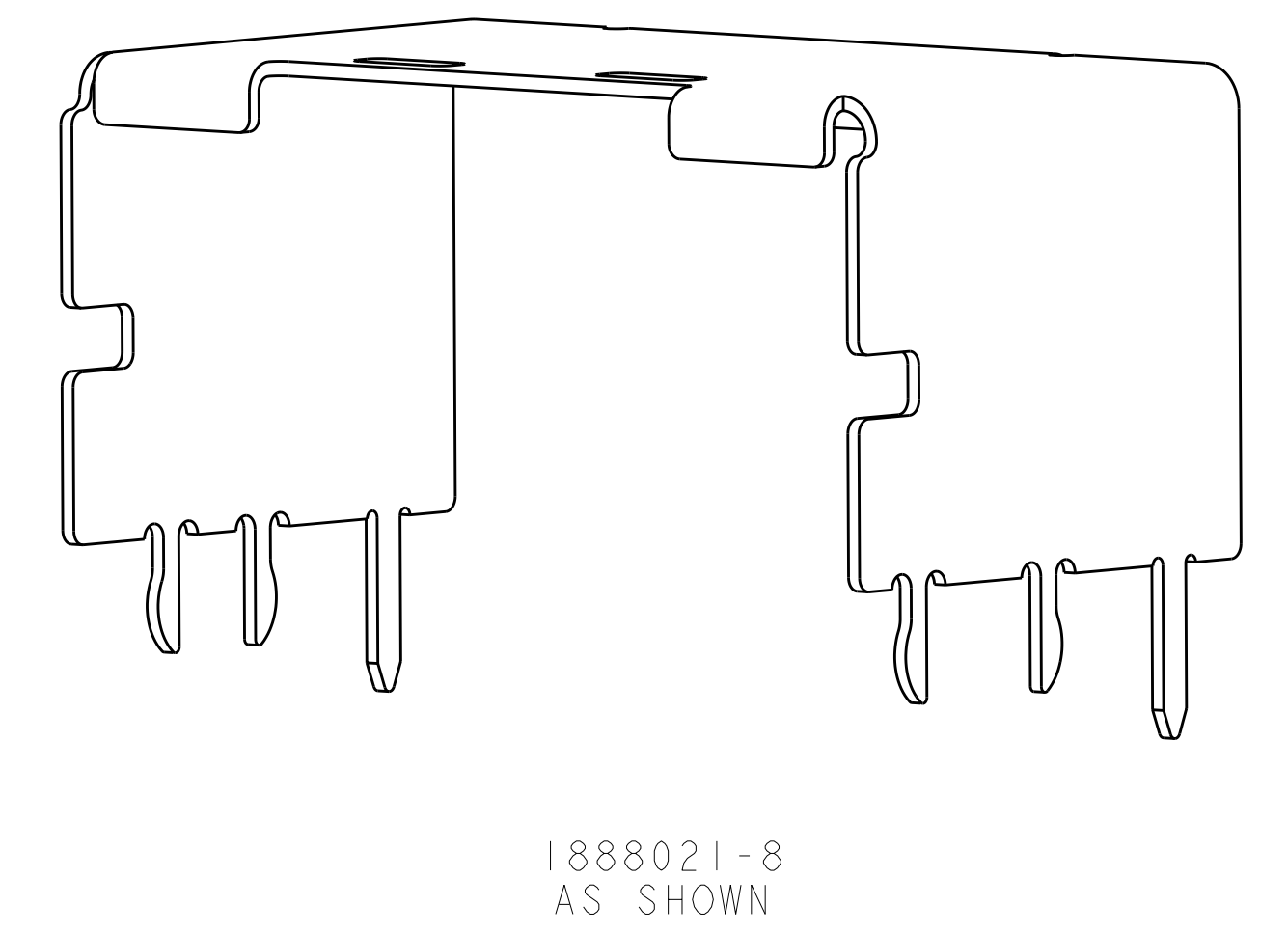
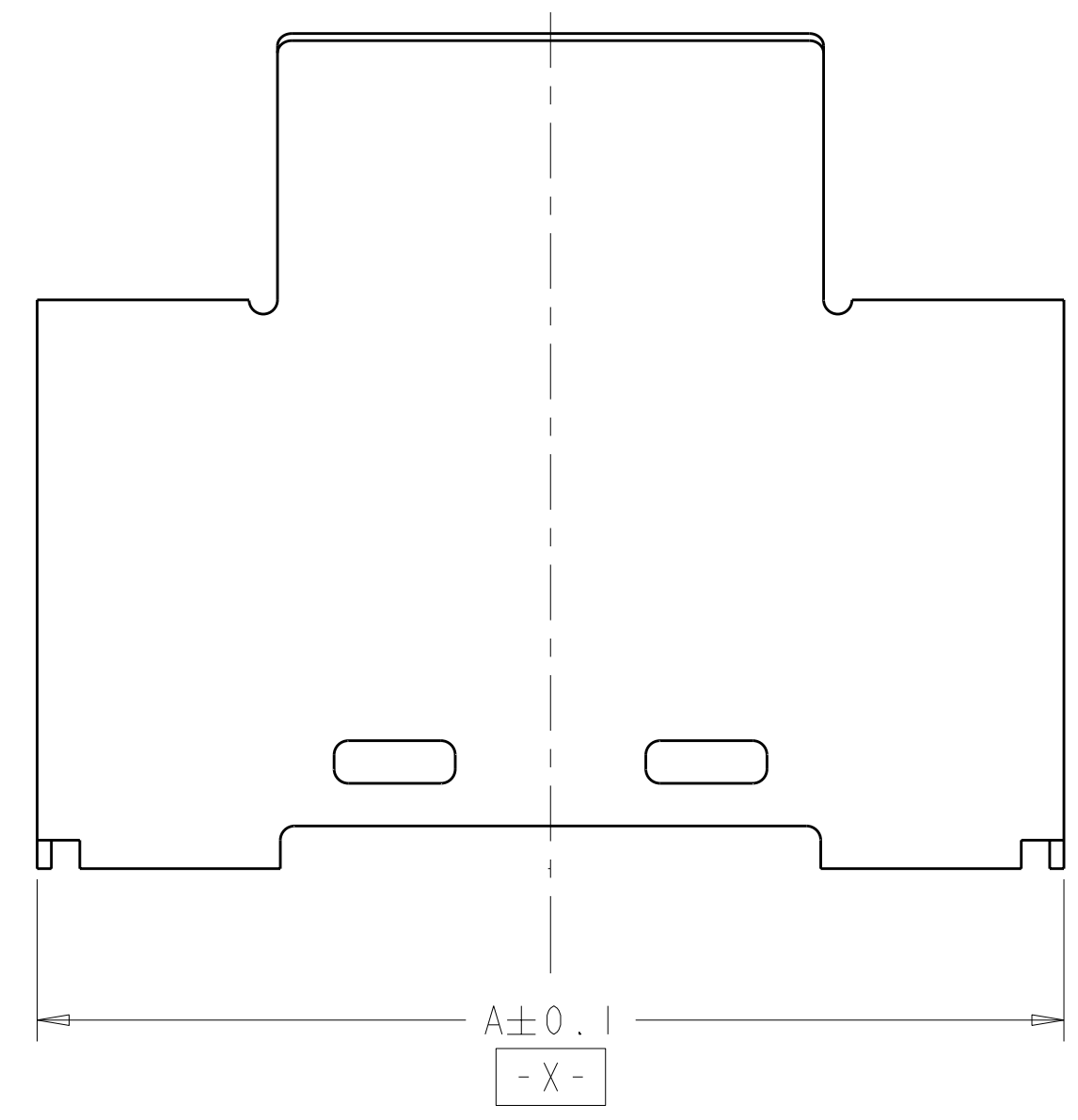
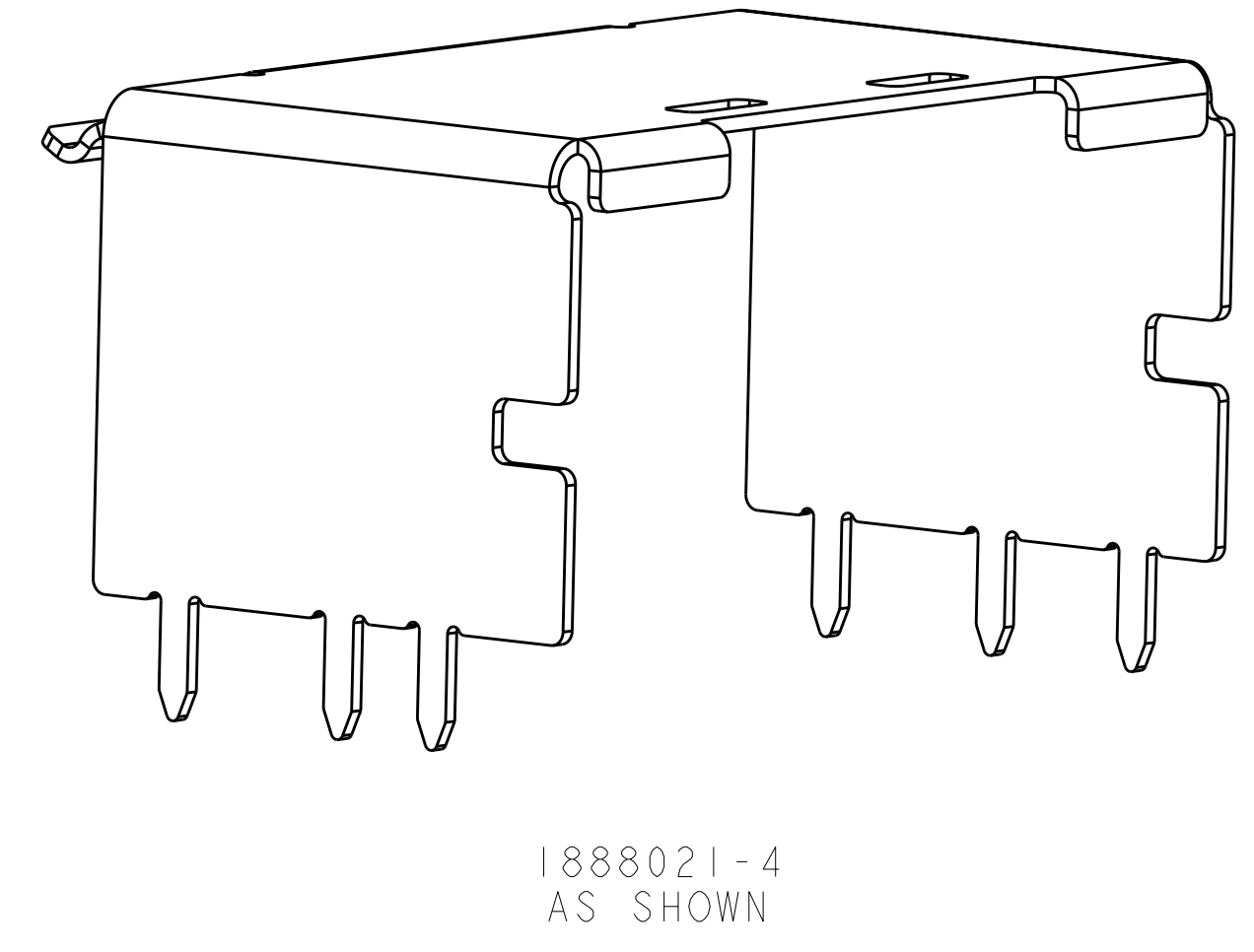
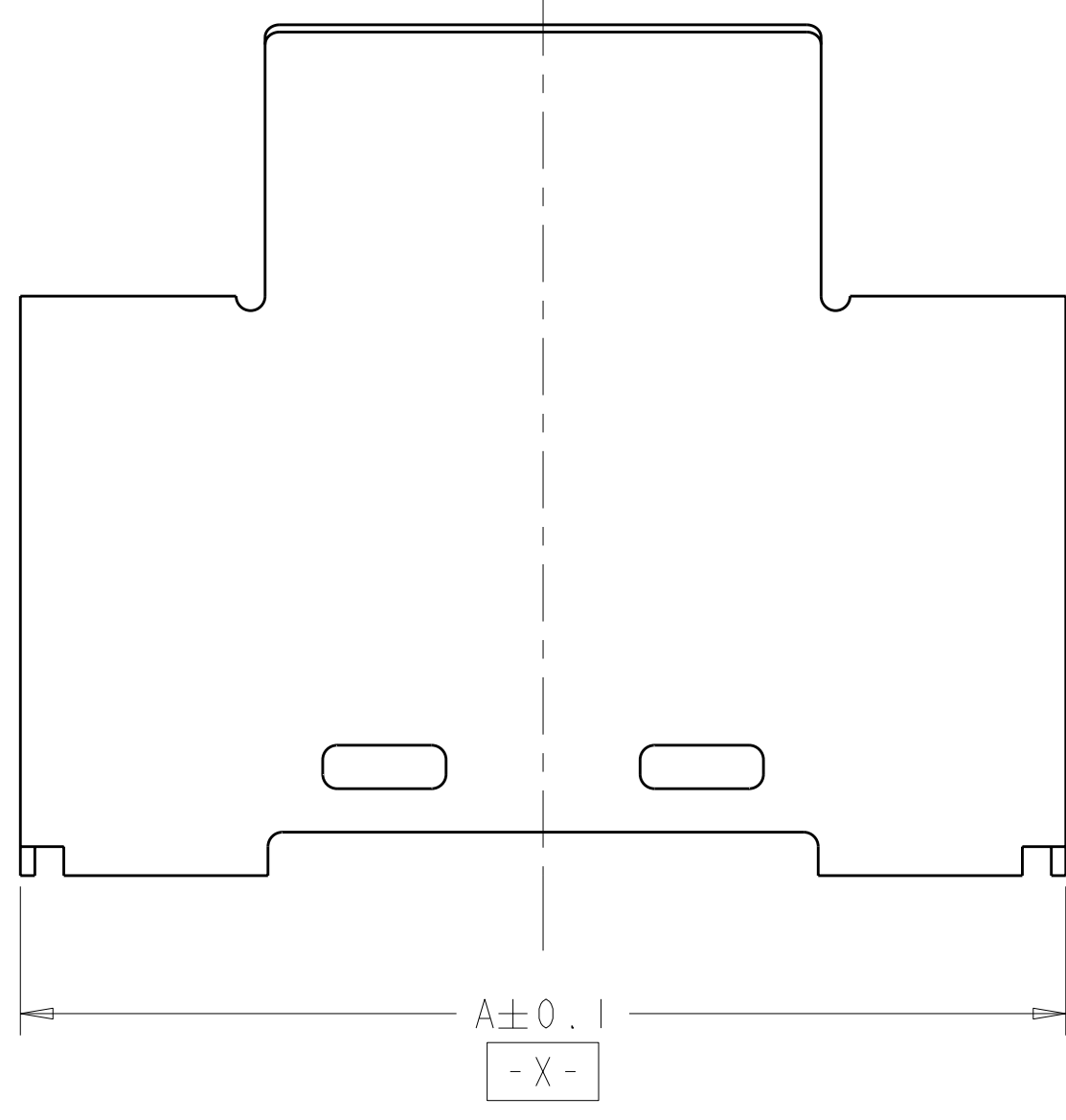


FIGURE M

FIGURE N

- 1 MATERIAL: NICKEL-SILVER PER ASTM B 122.
- 2. SHELL TO BE USED WITH THE SURFACE MOUNT RECEPTACLE CONNECTOR PART NUMBER REFERENCED IN TABLE
- 3 DATUM AND BASIC DIMENSION ESTABLISHED BY CUSTOMER

FIGURE	CONNECTOR PART NUMBER	G	F	E	D	A	POSN	PART NUMBER
M	1761987-2	3.5	36	17.8	16	18.05	36	1-1888021-6
M	1761987-2	2.8	36	17.8	16	18.05	36	1-1888021-2
N	1761987-2	-	36	17.8	16	18.05	36	1888021-8
M	1761987-2	2	36	17.8	16	18.05	36	1888021-4

DIMENSIONS: mm 9 PLC ± 1 PLC ±0.1 5 PLC ± 4 PLC ± ANGLES ± FINISH -		TOLERANCES UNLESS OTHERWISE SPECIFIED: 9 PLC ± 1 PLC ±0.1 5 PLC ± 4 PLC ± ANGLES ± FINISH -		DWN Z.M. REAM 14MAY2008 CHK D.L. GORENC 14MAY2008 APVD P.H. WERTZ 14MAY2008		Tyco Electronics Harrisburg, PA 17105-3608	
MATERIAL: NICKEL-SILVER PER ASTM B 122		PRODUCT SPEC: 108-2234 APPLICATION SPEC:		NAME: EVERCLEAR Mini-SAS DUAL KEYED INTERNAL SHELL, RIGHT ANGLE, RECEPTACLE		SIZE: CAGE CODE: DRAWING NO: A100779C=1888021	
CUSTOMER DRAWING		WEIGHT:		SCALE: 8:1		SHEET 1 OF 2 REV A1	

