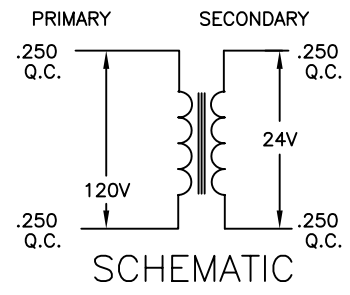
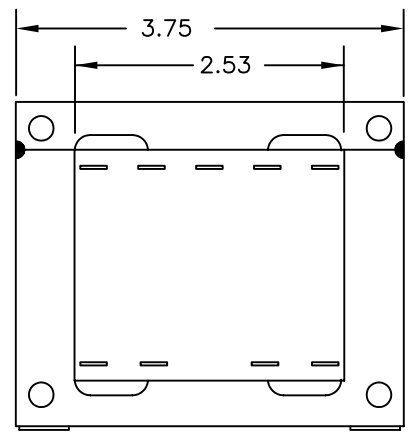
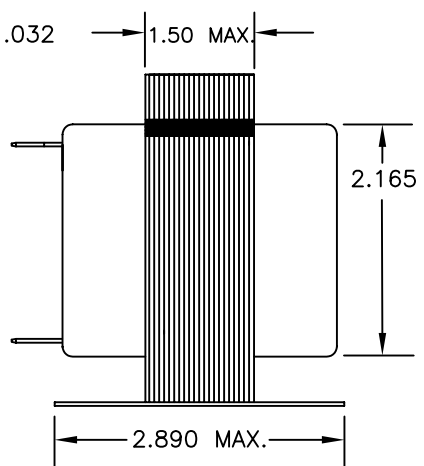
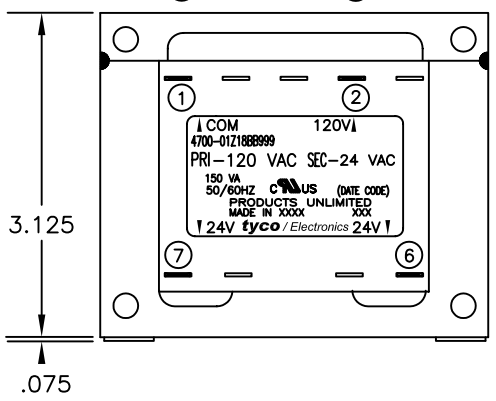


PRIMARY						SECONDARY				
TERM NO.	1	2	3	4	5	TERM NO.	6	7	8	9
VOLTAGE	COM	120				VOLTAGE	24	VAC		
TERMINAL WIDTH	.250	.250				TERMINAL WIDTH	.250	.250		
TERMINAL THICKNESS	.032	.032				TERMINAL THICKNESS	.032	.032		

NOTES:
 1. DIMENSIONS FOR REFERENCE ONLY.
 2. WINDING PROTECTION-INHERENTLY LIMITING

CERTIFICATION:UL/CUL FILE NO E102980



TYCO PART NUMBER
 5-1672104-0

THIS DRAWING IS A CONTROLLED DOCUMENT.		DWN: K.H.	24JUN03	Tyco Electronics Corporation Harrisburg, PA 17105-3608	
DIMENSIONS: INCHES		CHK: -	APVD: DH	NAME: TRANSFORMER OUTLINE P.U.STOCK	
TOLERANCES UNLESS OTHERWISE SPECIFIED: 0 PLC ± - 1 PLC ± - 2 PLC ± - 3 PLC ± - 4 PLC ± - ANGLES ± -		PRODUCT SPEC: -	APPLICATION SPEC: -	SIZE: A3	RESTRICTED TO: -
MATERIAL: -	FINISH: -	WEIGHT: -	CAGE CODE: 00779	DRAWING NO: C=4700-01Z18BB999	SCALE: NTS
CUSTOMER DRAWING			SHEET: 1 OF 1	REV: 0	