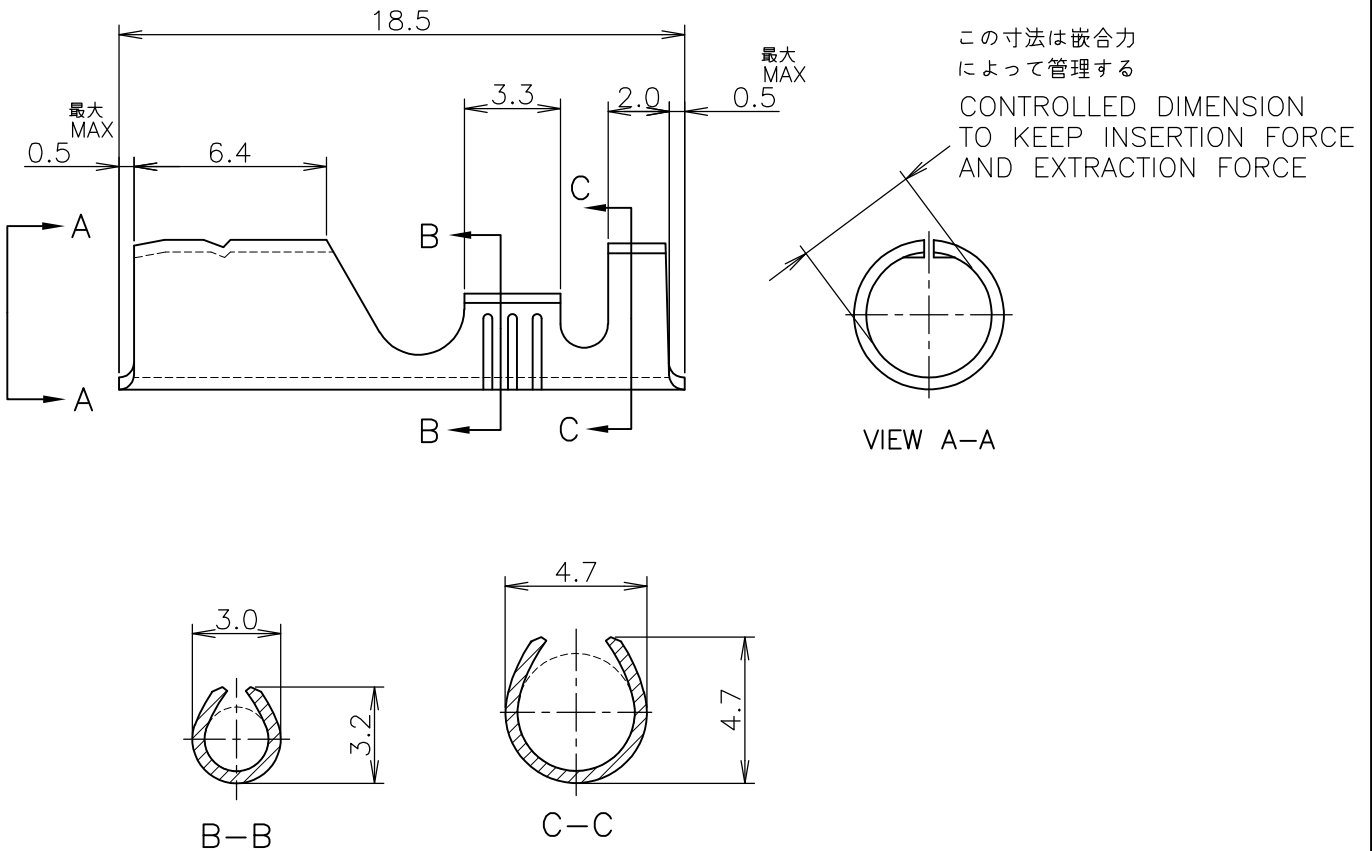


LOC J	DIST /	REVISIONS 変更			DATE	DWN	APVD
		P	LTR	DESCRIPTION			
			B	REDRAWN ECR-11-012298	15JUN2011	T.T	T.M

-*; AS SHOWN



JAN 1, 1974.

RELEASED FOR PUBLICATION

ALL RIGHTS RESERVED.


COPYRIGHT 1974 By Tyco Electronics Japan C.K.

THIS DRAWING IS UNPUBLISHED.

0.50~2.27 (AWG#20~#14)	108-5003	ø5	170020-3	—H—	黄銅 板厚0.40 (BRASS) 0.40t	170021-3
0.50~2.27 (AWG#20~#14)	108-5003	ø5	170020-2	ELECTRIC TIN PLATED 電気錫めっき	黄銅 板厚0.40 (BRASS) 0.40t	170021-2
0.50~1.42 (AWG#20~#16)	108-5004	ø4	170020-1	ELECTRIC TIN PLATED 電気錫めっき	黄銅 板厚0.32 (BRASS) 0.32t	170021-1

WIRE RANGE 適用電線範囲	PRODUCT SPEC NO. 製品規格番号	CLASS 分類	MATE PART NO. 嵌合相手型番	FINISH 仕上	MATERIAL 材料	PART NO. 端子型番
----------------------	----------------------------	-------------	-------------------------	--------------	----------------	------------------

CLASS 分類	SEE TABLE 表参照	TOOL NO. 適用工具型番	2088544-1	WIRE RANGE 包含電線断面積	表参照 SEE TABLE	INSULATION DIA 被覆外径	2.2~3.1	mm ²	mm ϕ
-------------	------------------	--------------------	-----------	-----------------------	------------------	------------------------	---------	-----------------	-----------

DIMENSIONS: 単位: 耗 mm	DWN T.TSUZAKI	15JUN2011	MATERIAL 材料	表参照 SEE TABLE	FINISH 仕上	表参照 SEE TABLE
	CHK T.MASUDA	15JUN2011	 TE Connectivity			
TOLERANCES UNLESS OTHERWISE SPECIFIED: 一般公差	APVD T.MASUDA	15JUN2011				
0 PLC ±	PRODUCT SPEC 製品規格		NAME 名称			
1 PLC ± ±0.4	SEE TABLE		SHUR PLUG RECEPTACLE			
2 PLC ±	APPLICATION SPEC 取付適用規格		SIZE	CAGE CODE	DRAWING NO 番号	RESTRICTED TO
3 PLC ±			A4	00779	C-170021	/
4 PLC ±						
ANGLES ± 1°	WEIGHT					
CUSTOMER DRAWING			SCALE 尺度	4:1	SHEET 1 OF 1	REV B