

CABLE MOUNT
**DC POWER
JACKS**



Switchcraft[®]
CONXALL[®]

HARSH ENVIRONMENT CONNECTIVITY SOLUTIONS



NEW CF SERIES

SWITCHCRAFT QUALITY JACKS IN A RUGGED HOUSING The most trusted jacks are now available in an in-line, cable end option. These jacks are designed for easy field installation and built to withstand challenging applications (not IP rated). Available in a variety of pin and bushing sizes, Switchcraft jacks are compatible with industry standard Switchcraft plugs.



TRUE FLEX RELIEF

Flexible rubber eliminates harsh bends and protects your cable from damage.
(see chart below)



CHUCK-STYLE STRAIN RELIEF

Easy to install, sturdy plastic strain relief protects critical solder connections.
(excludes ST10UC/ ST10UCF)



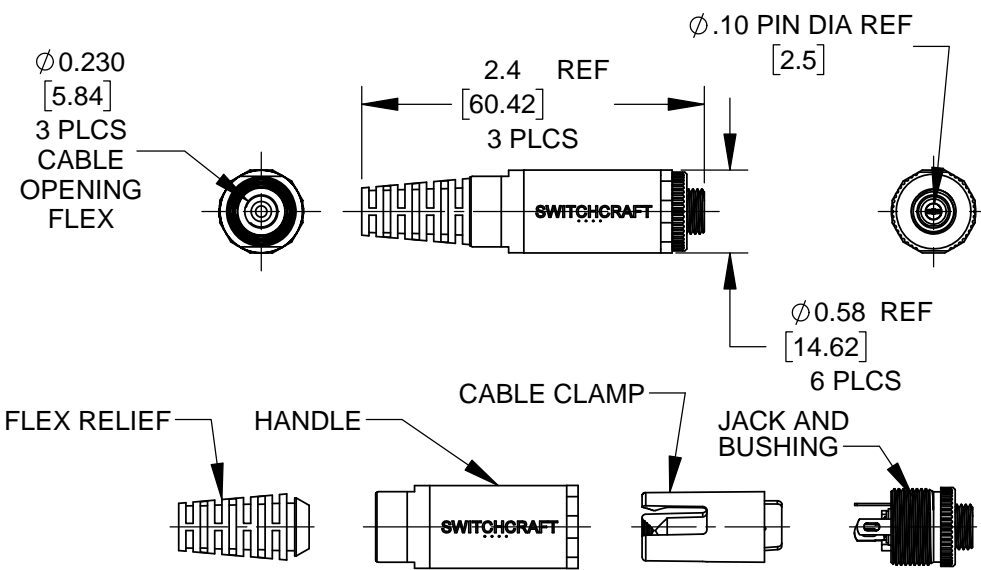
EXTENDED BUSHING FOR LOCKING PLUGS

Compatible with Switchcraft's locking plugs for an extremely reliable connection.
(also compatible with non-locking plugs)

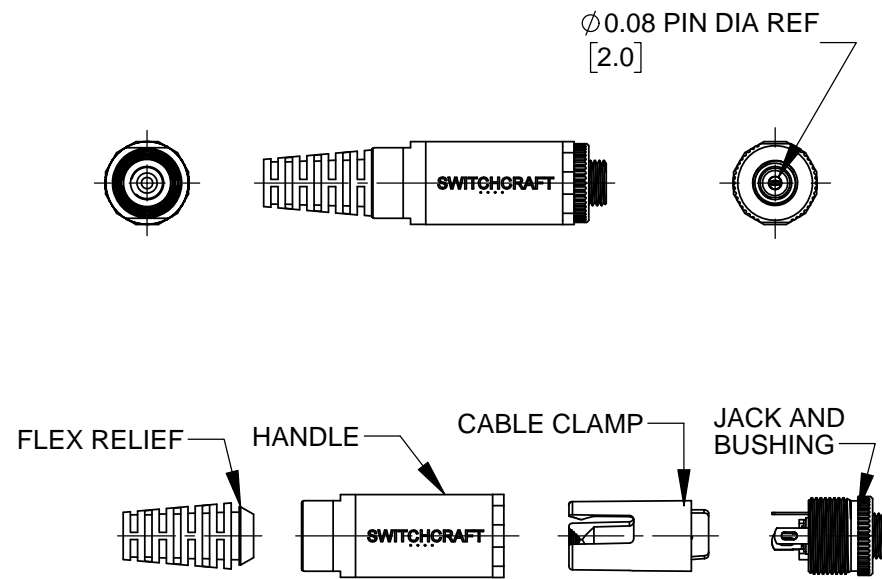
SPECIFICATIONS

Lifecycles: 5,000 cycles min
Current: 5A or 11A (see list)
Cable range: 5.6mm to 6.4mm
(Without flex, max cable 8.1mm)
Split pin design for firm mate
Current carry only
See factory for overmolded cable options

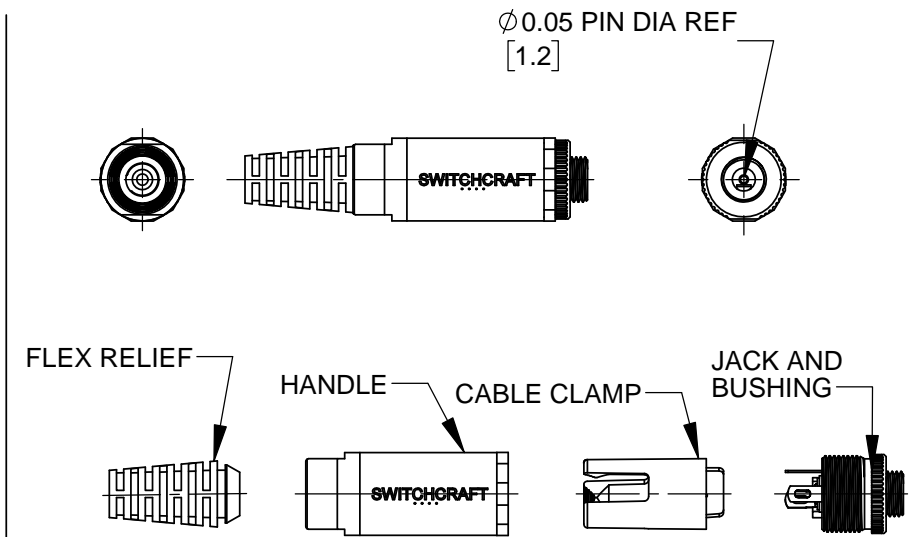
PART NUMBER	PIN DIAMETER	BUSHING LENGTH	CURRENT RATING	FLEX RELIEF?	MATING PLUG
722ACF	2.0mm	5.5mm	5A	Yes	S760/ S760K
722AC	2.0mm	5.5mm	5A	No	S760/ S760K
712ACF	2.5mm	5.5mm	5A	Yes	760/ 760K
712AC	2.5mm	5.5mm	5A	No	760/ 760K
L722ACF	2.0mm	8.1mm	5A	Yes	S761/ S761K
L722AC	2.0mm	8.1mm	5A	No	S761/ S761K
L712ACF	2.5mm	8.1mm	5A	Yes	761/ 761K
L712AC	2.5mm	8.1mm	5A	No	761/ 761K
ST10UCF	1.9mm	8.3mm	11A	Yes	S10/ S10KS
ST10UC	1.9mm	8.3mm	11A	No	S10/ S10KS



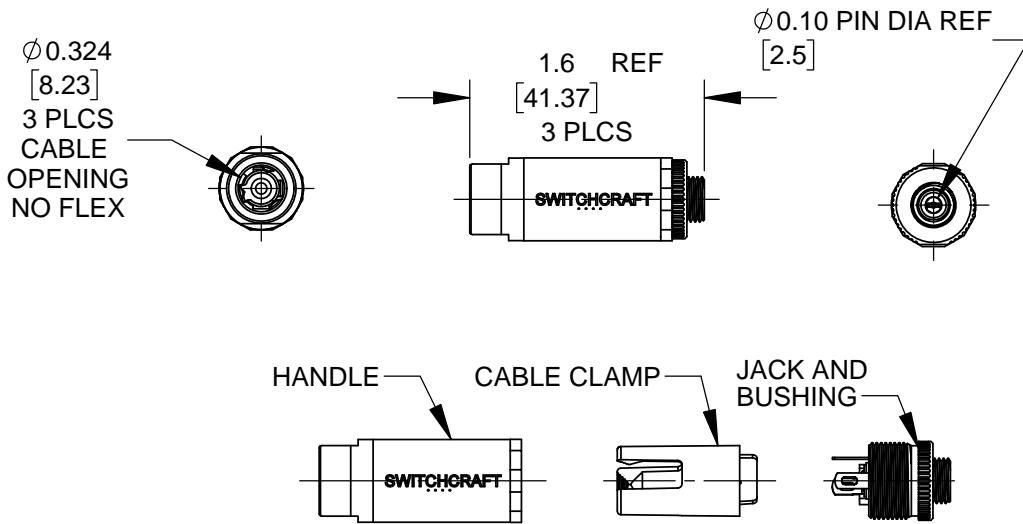
712ACFL



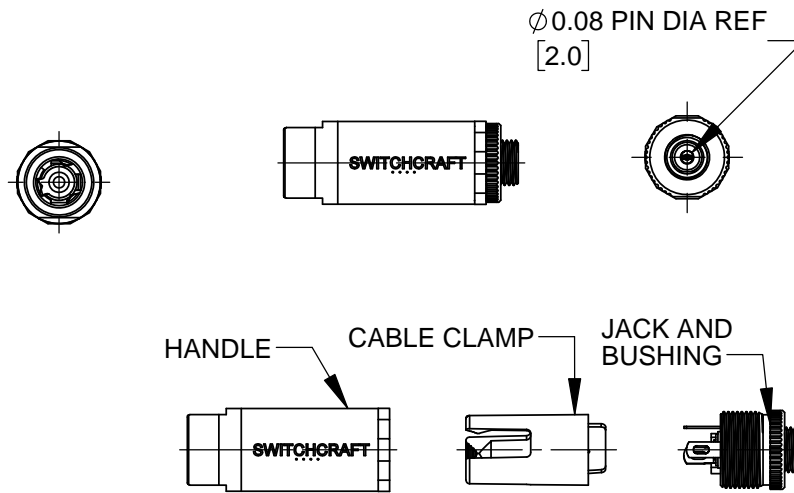
722ACFL



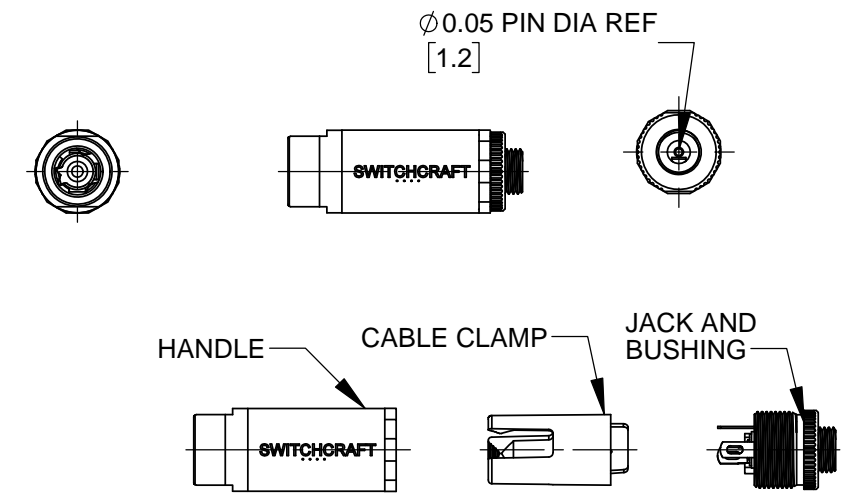
732ACFL



712AC



722AC



732AC

1. MATERIALS:

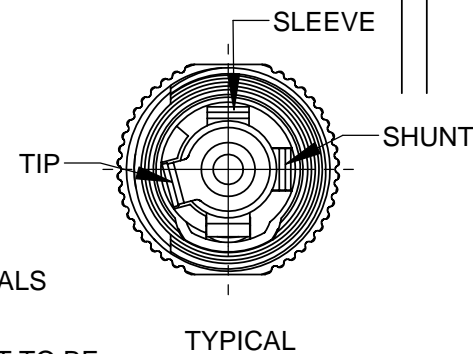
- HANDLE BLACK THERMOPLASTIC
- CABLE CLAMP THERMOPLASTIC
- FLEX RELIEF THERMOPLASTIC ELASTOMER
- BUSHING BLACK THERMOPLASTIC
- POWER JACK SEE POWER JACK FOR MATERIALS AND SPECIFICATIONS

2. THESE PARTS ARE CURRENT CARRY ONLY NOT TO BE USED FOR CONNECT OR DISCONNECT UNDER LOAD.

3. SHIPPED UNASSEMBLED

4. CABLE RANGE FOR FLEX: 0.220-0.250 DIAMETER

5. THESE PARTS ARE RoHS COMPLIANT



REV	ECO NUMBER	DATE	BY	APVD
A	ECO 27926	8-17-17	SRC	TJK
REVISIONS				

STAR SYMBOL DENOTES CRITICAL DIMENSION

UNLESS OTHERWISE SPECIFIED

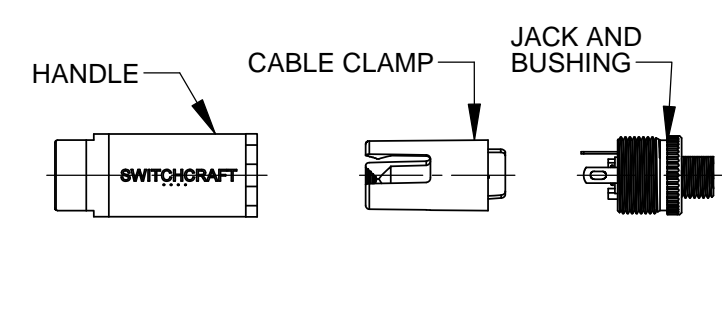
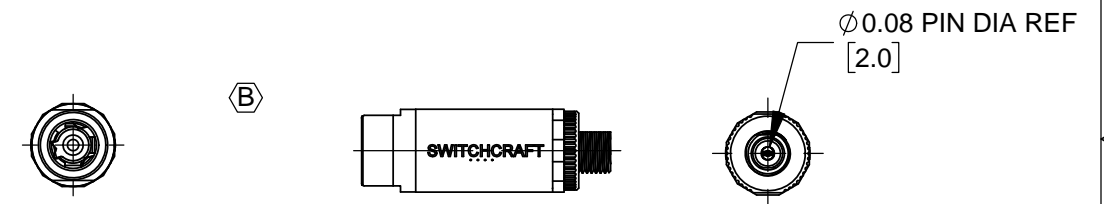
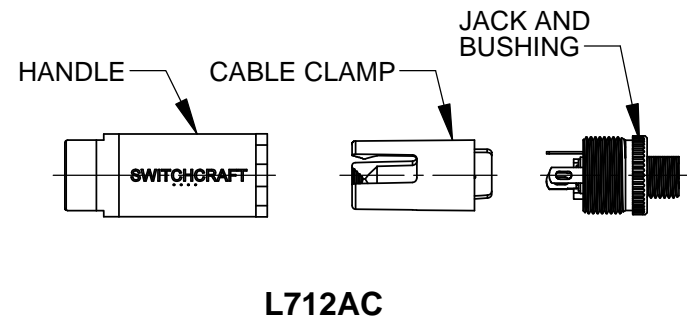
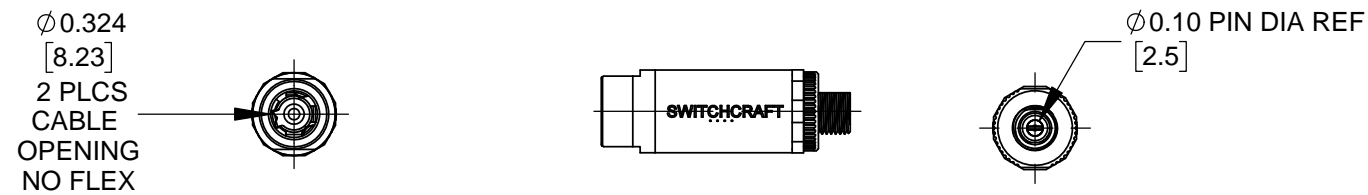
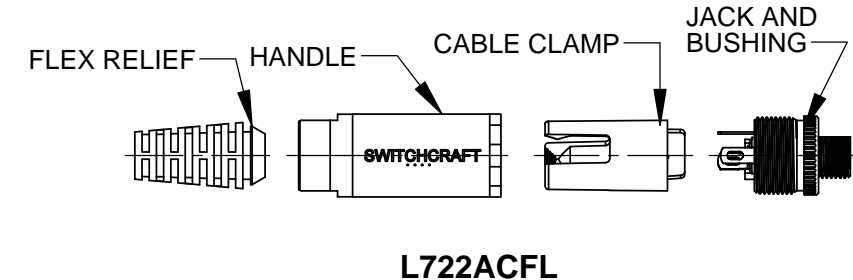
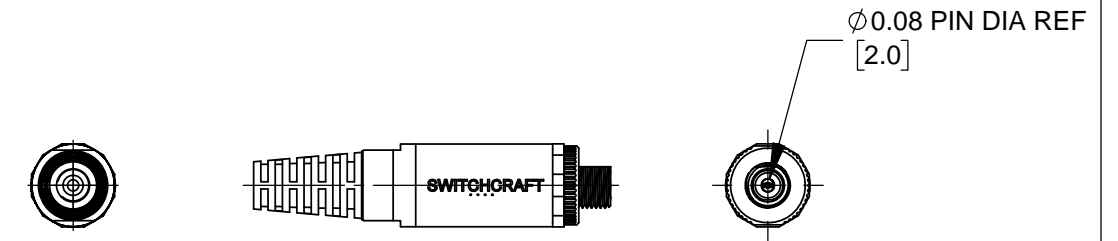
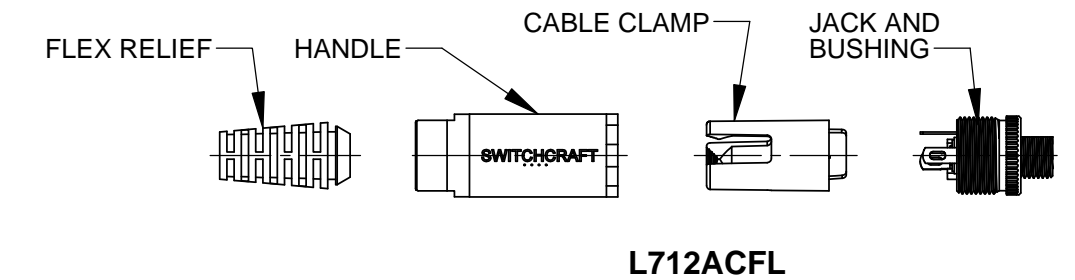
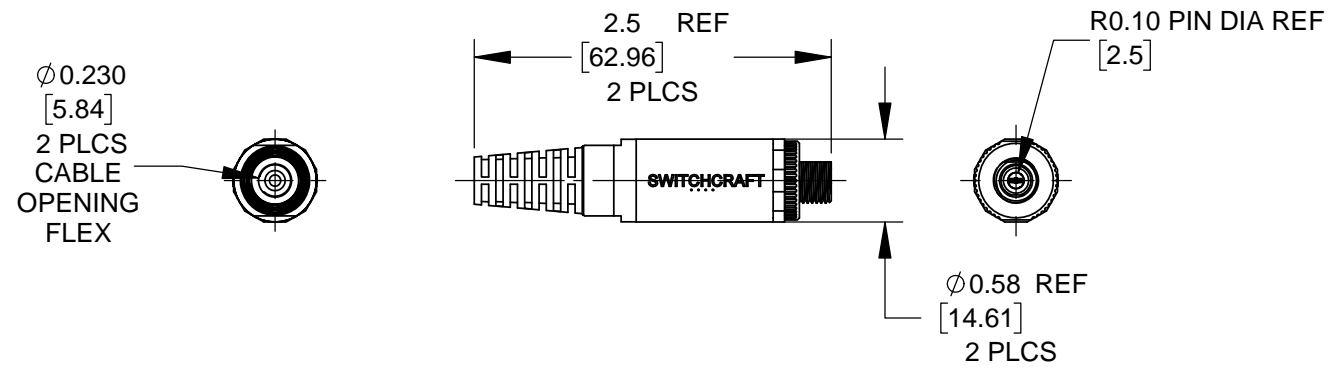
- 1. ALL DIMENSIONS IN INCHES [mm]
- TWO PLACE DECIMALS ±0.02 [0.5]
- THREE PLACE DECIMALS ±0.005 [0.13]

DO NOT SCALE DRAWING

THIS DRAWING DESCRIBES A DESIGN CONSIDERED PROPRIETARY IN NATURE, DEVELOPED AND MANUFACTURED BY SWITCHCRAFT INC. AND IS RELEASED ON A CONFIDENTIAL BASIS FOR IDENTIFICATION PURPOSES ONLY.

SIZE *	WIDTH *	MULT *	LBS/M *	TEMPER *
FINISH *		MATERIAL *		
SPEC No. *		SPEC No. *		
FIRST USED ON *		SCALE 3:4		
DATE DRAWN	BY	CHKD	APVD	Switchcraft [®]
12-28-16	SRC	SRC	TJK	
		8-10-17	8-17-17	SHEET 1 OF 1
NAME			PART No.	REV
CABLE POWER JACKS			712AC-732AC 712ACFL-732ACFL	A

CUSTOMER DRAWING



1. MATERIALS:

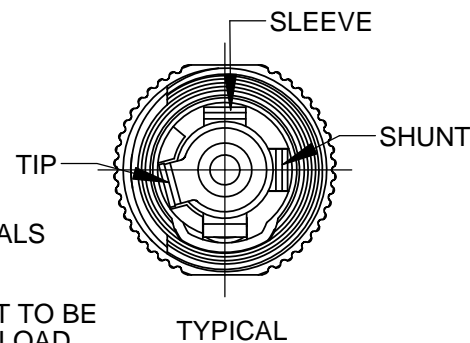
- HANDLE BLACK THERMOPLASTIC
- CABLE CLAMP THERMOPLASTIC
- FLEX RELIEF THERMOPLASTIC ELASTOMER
- BUSHING BLACK THERMOPLASTIC
- POWER JACK SEE POWER JACK FOR MATERIALS AND SPECIFICATIONS

2. THESE PARTS ARE CURRENT CARRY ONLY NOT TO BE USED FOR CONNECT OR DISCONNECT UNDER LOAD.

3. SHIPPED UNASSEMBLED

4. CABLE RANGE FOR FLEX: 0.220 TO 0.250 DIAMETER

5. THESE PARTS ARE RoHS COMPLIANT

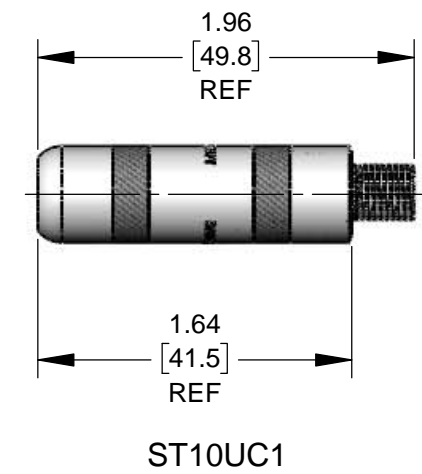
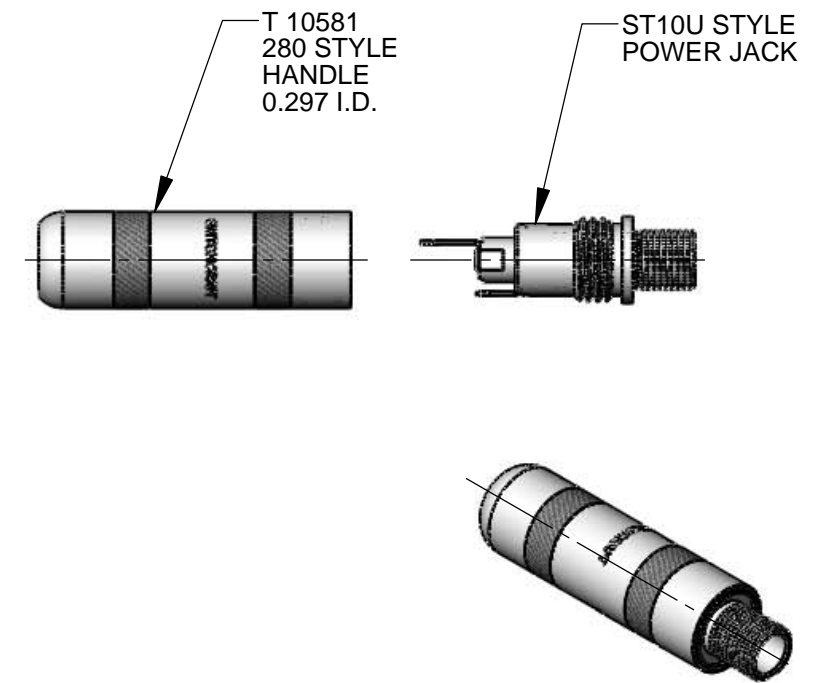
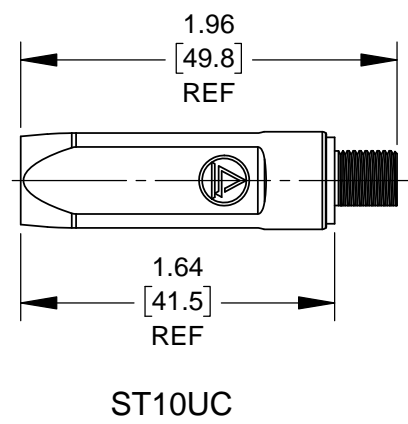
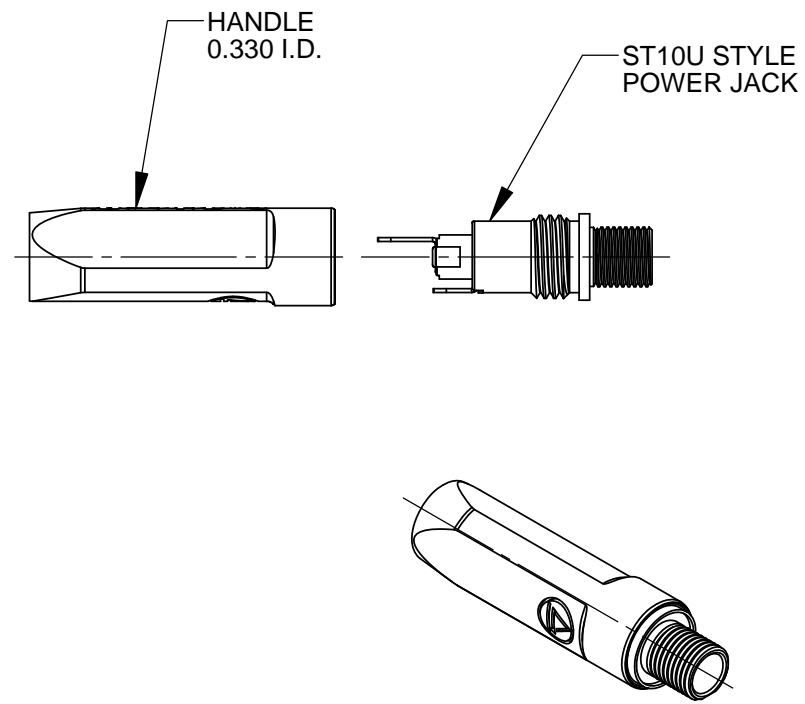
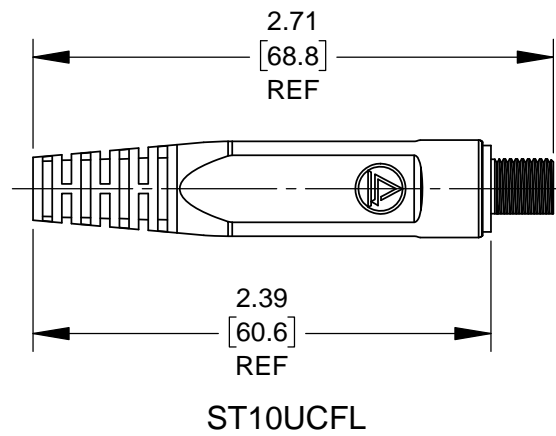
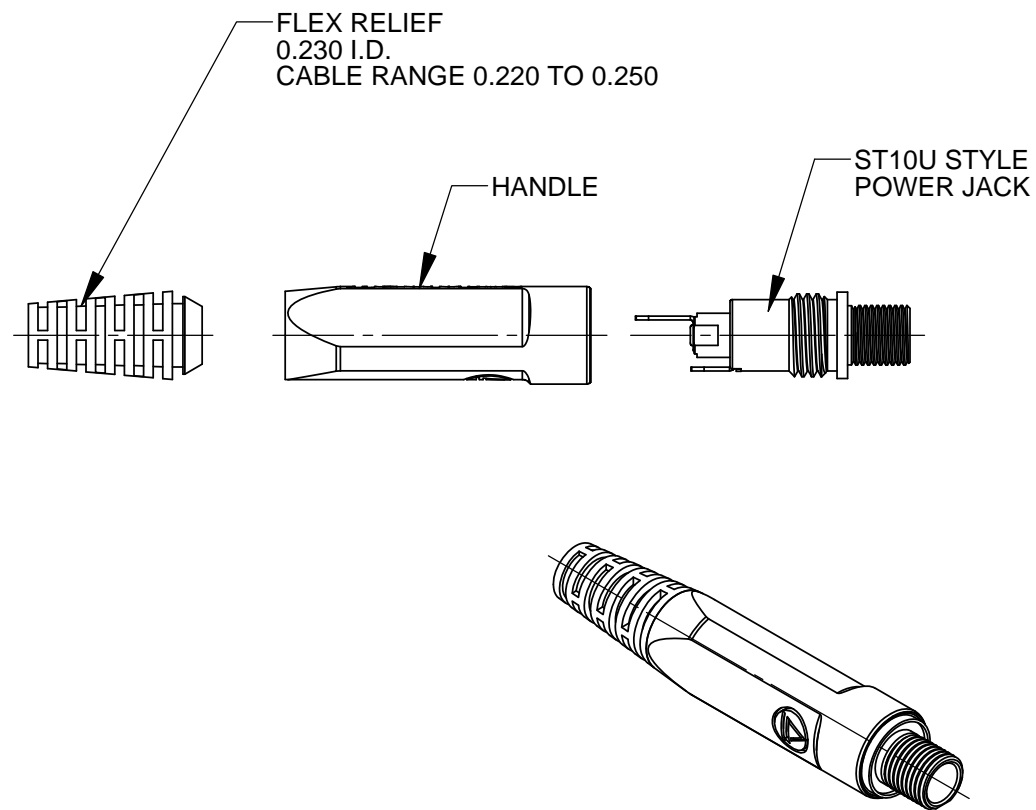


REV	ECO NUMBER	DATE	BY	APVD
B	ECO 27932	8-28-17	SRC	TJK
A	ECO 27926	8-17-17	SRC	TJK
REVISIONS				

UNLESS OTHERWISE SPECIFIED				
1. ALL DIMENSIONS IN INCHES [mm]				
- TWO PLACE DECIMALS ±0.02 [0.5]				
- THREE PLACE DECIMALS ±0.005 [0.13]				
DO NOT SCALE DRAWING				

THIS DRAWING DESCRIBES A DESIGN CONSIDERED PROPRIETARY IN NATURE, DEVELOPED AND MANUFACTURED BY SWITCHCRAFT INC. AND IS RELEASED ON A CONFIDENTIAL BASIS FOR IDENTIFICATION PURPOSES ONLY.									
SIZE *	WIDTH *	MULT *	LBS/M *	TEMPER *					
FINISH *					MATERIAL *				
SPEC No. *					SPEC No. *				
FIRST USED ON *			SCALE 3:4						
DATE DRAWN	BY	CHKD	APVD						
12-28-16	SRC	SRC	TJK	8-10-17	8-17-17	SHEET 1 OF 1			
NAME CABLE POWER JACKS					PART No. L712AC-L722AC L712ACFL-L722ACFL			REV B	

CUSTOMER DRAWING



CUSTOMER DRAWING

1. PARTS ARE SHIPPED UNASSEMBLED
2. THESE ASSEMBLIES ARE ROHS COMPLIANT
3. SEE SHEET 2 FOR SPECIFICATIONS

REV	ECO NUMBER	DATE	BY	APVD
A	ECO 27926	8-17-17	SRC	TJK
REVISIONS				

UNLESS OTHERWISE SPECIFIED

1. ALL DIMENSIONS IN INCHES [mm]

- TWO PLACE DECIMALS ±0.02 [0.5]

- THREE PLACE DECIMALS ±0.005 [0.13]

DO NOT SCALE DRAWING

THIS DRAWING DESCRIBES A DESIGN CONSIDERED PROPRIETARY IN NATURE, DEVELOPED AND MANUFACTURED BY SWITCHCRAFT INC. AND IS RELEASED ON A CONFIDENTIAL BASIS FOR IDENTIFICATION PURPOSES ONLY.									
SIZE *	WIDTH *	MULT *	LBS/M *	TEMPER *					
FINISH *					MATERIAL *				
SPEC No. *					SPEC No. *				
FIRST USED ON *			SCALE 1:1						
DATE DRAWN	BY	CHKD	APVD						
12-21-16	SRC	SRC	TJK		SHEET 1 OF 2				
NAME					PART No.		REV		
CABLE POWER JACK					ST10UC SERIES		A		

Mechanical Specifications

Life: Mechanical only
 Vibration: 5000 cycles minimum using S10 style plugs
 Operating Forces: Mil-Std 202G Method 201A (jack or when mated with locking plug)
 3 lb maximum insertion. 0.2 lb minimum withdrawal when using S10 type plug

Electrical Specifications

Voltage Rating: 24 V AC/DC
 Current Rating: Refer to current rating table below
 Insulation Resistance: 1000MΩ min. initial
 Contact Resistance (initial): 10 mΩ max

Environmental Specifications

Operating Temperature Rating: -40 °C to +105 °C (-40°F to +221°F)
 Insulation Resistance: MIL-STD 202G Method 302 Condition B Only
 Thermal Shock: MIL-STD 202G Method 107G (jack or when mated with sealed locking plug)


Material Specifications

Handle, Housing, Flex relief: Copper alloy, nickel plated
 Insulator: Thermoplastic elastomer
 Center Pin: Thermoplastic, black
 Center & Shunt Terminals: Copper Alloy, Gold over Silver Plated
 Sleeve Spring Contact: Copper Alloy, Matte Tin Plated
 Copper Alloy, Gold over Silver Plated

CURRENT CARRY WHEN MATED TO A S10 STYLE PLUG

Wire (awg)	Current Rating (Amps) at Operating Temperature (° C)			
	90° C max	95° C max	100° C max	105° C max
16	13	12	11	10
18	12	11	10	9
20	11	10	9	8

Note: AC/DC Power Plugs & Jacks are for current carry only. Do not connect or disconnect under load. The circuitry on-off switch should be off before connecting or disconnecting the Power Plug to Jack.

SCALE 1:1		
DATE DRAWN 12-21-16		
DRAWN BY SRC	PART No. ST10UC SERIES_CD	REV A