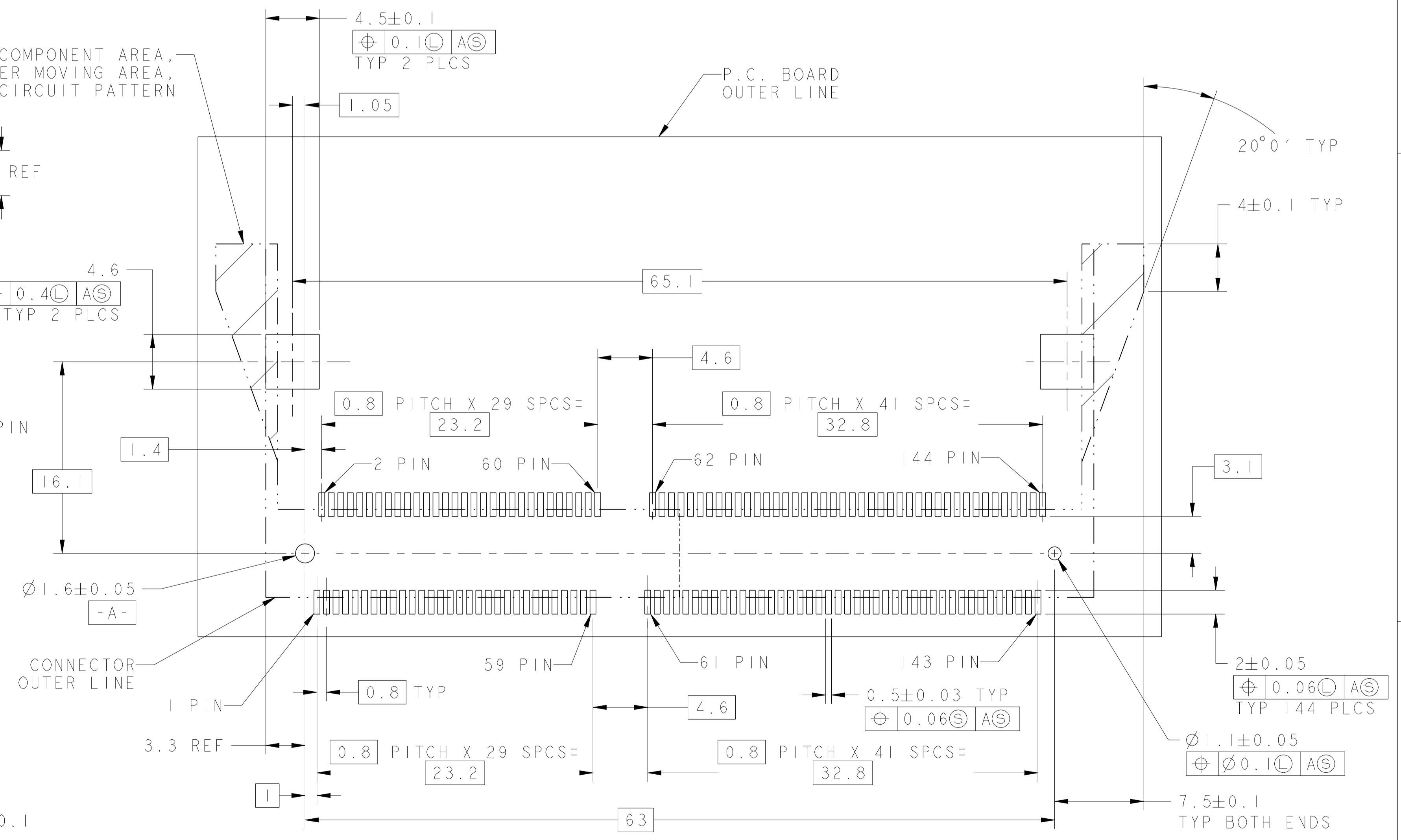
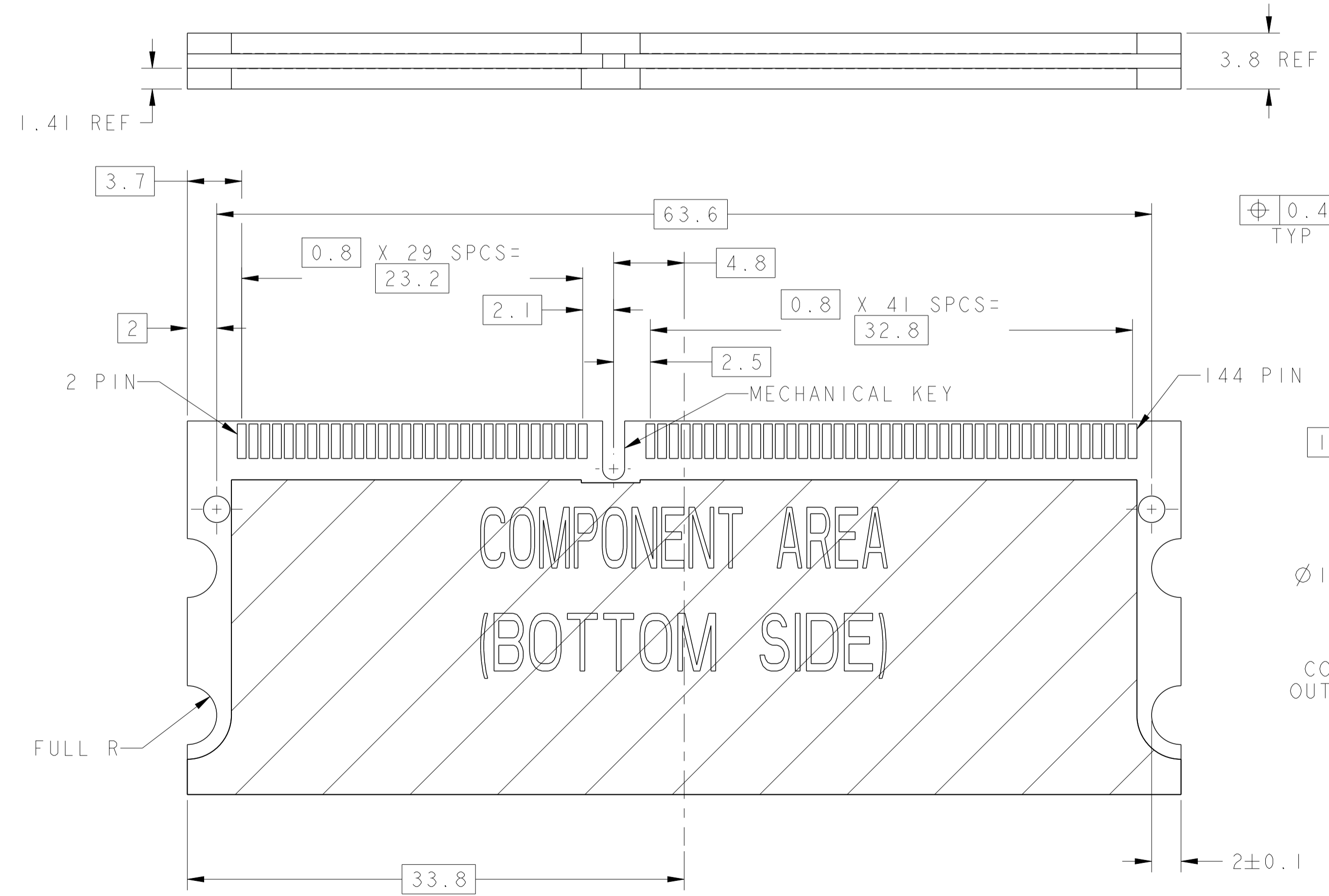
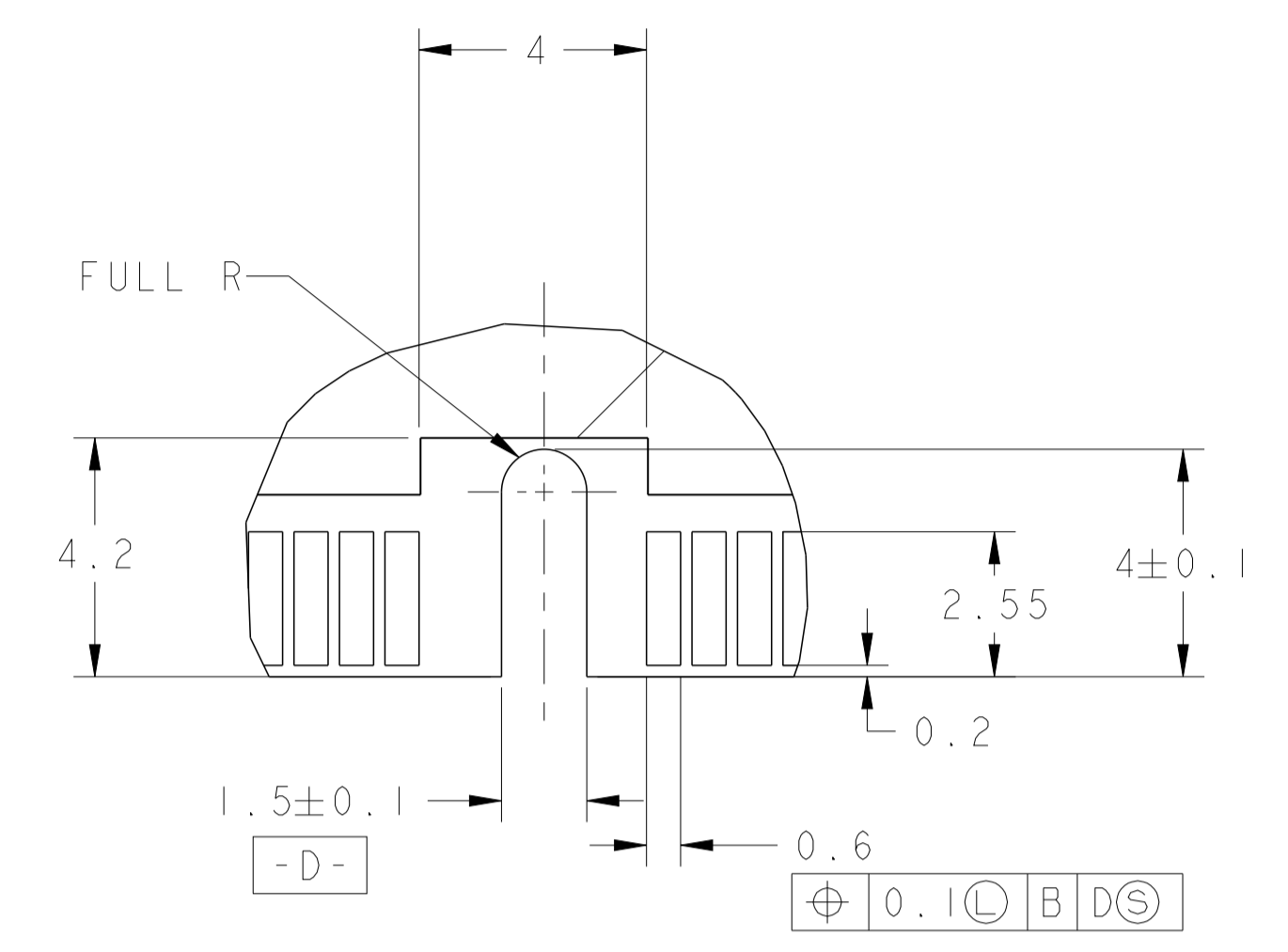
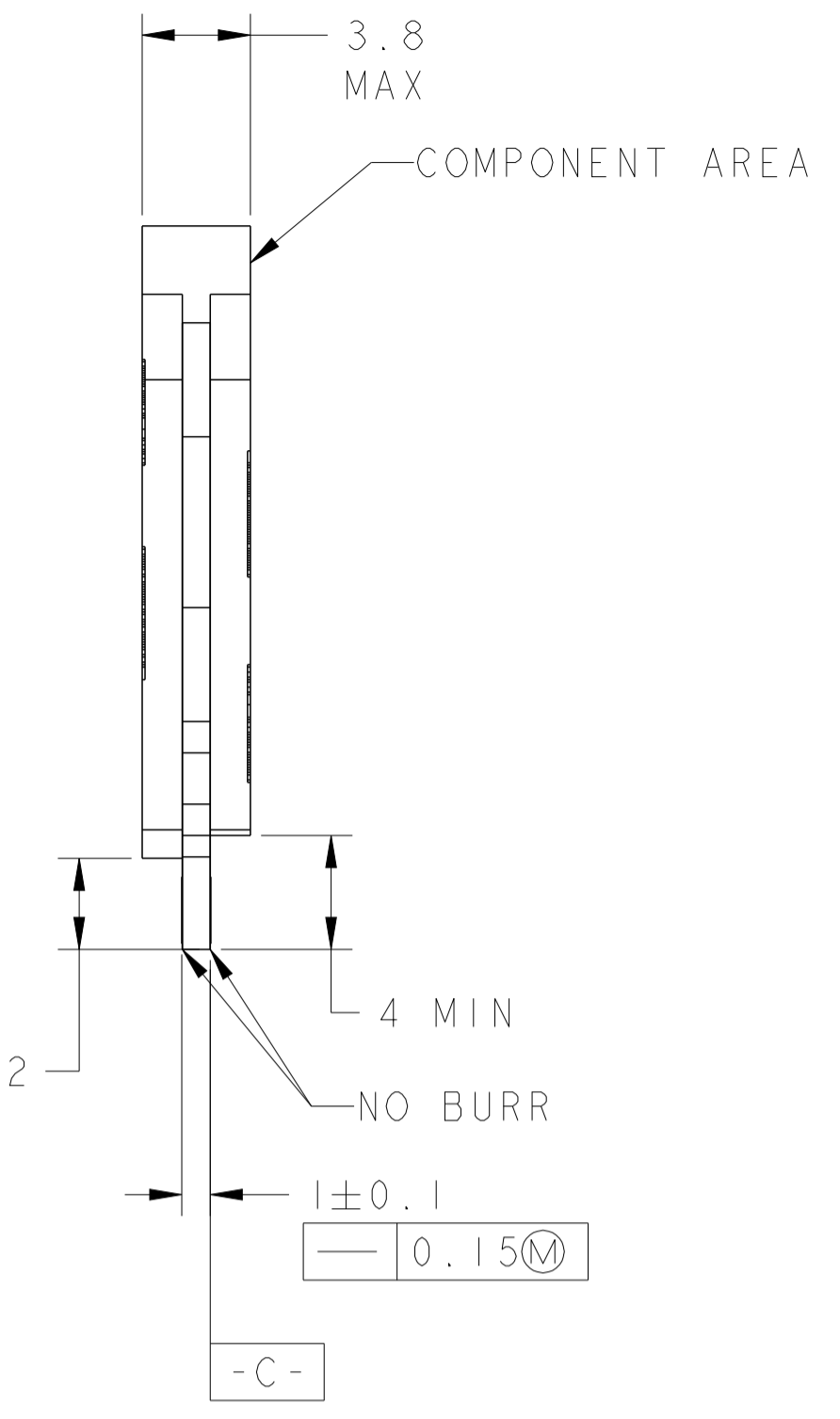
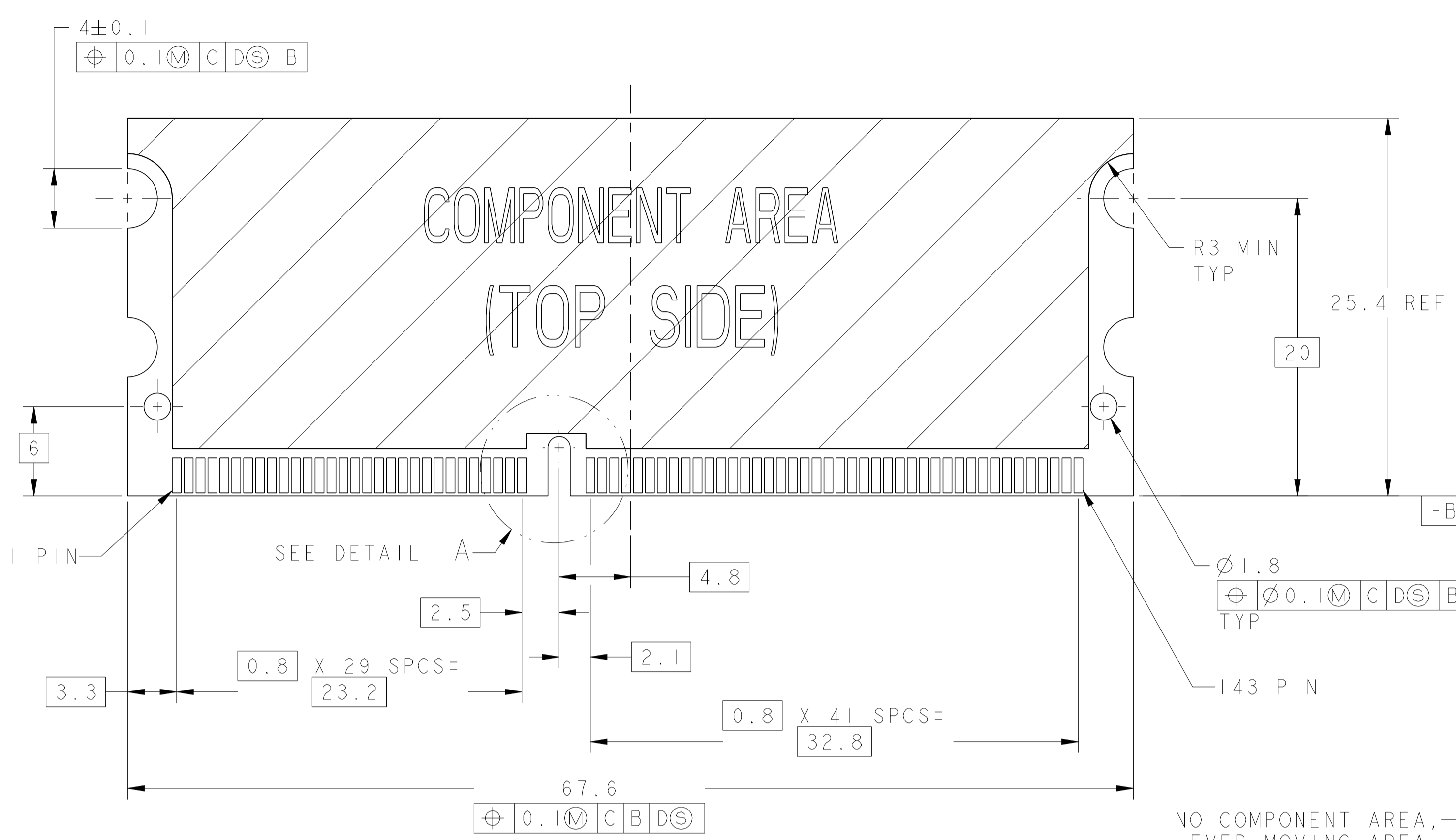


- 1 MATERIAL, HOUSING, HIGH TEMPERATURE PLASTIC, UL94V-0, NAT. CONTACT: COPPER ALLOY LATCH: STAINLESS STEEL, TIN PLATING.
- 2 FINISH; CONTACT AREA: 0.00025 MIN GOLD PLATING ON 0.001 MIN ALL OVER NICKEL SOLDERING AREA: 0.00005 MIN TO 0.00030 MAX GOLD PLATING.
- 3. TOLERANCES NON-ACCUMULATIVE.
- 4 FINISH; CONTACT AREA: 0.00025 MIN GOLD PLATING ON 0.001 MIN ALL OVER NICKEL SOLDERING AREA: BRIGHT TIN LEAD PLATING.
- 5 PACKAGED 12 PIECES PER HARD TRAY.
- 6 PART PACKED PER EIA IS-704 STANDARD. REEL DIAMETER SHALL BE 330mm. TAPE WIDTH SHALL BE 88mm AND TAPE PITCH SHALL BE 36mm.
- 7 DATE CODE (4-DIGITS), LOCATED AS SHOWN. TO BE INTERPRETED AS FOLLOWS:
 DIGIT # 1 - LAST DIGIT OF YEAR.
 DIGITS # 2 AND # 3 - CALENDAR WEEK.
 DIGIT # 4 - DAY OF THE WEEK (WITH SUNDAYS AS DAY 1).

NIL	AVAILABLE	2	DRAM 3.3V	144	6-390114-1	6
NIL	AVAILABLE	2	DRAM 3.3V	144	3-390114-1	5
390114-1	NOT AVAILABLE	4	DRAM 3.3V	144	390114-4	
NIL	AVAILABLE	2	DRAM 3.3V	144	390114-1	
SUPERSEDED BY	REMARKS	FINISH	POWER SUPPLY	POS	PART NUMBER	

DIMENSIONS: mm		TOLERANCES UNLESS OTHERWISE SPECIFIED:		DRAWN: W. SORAH 6-20-97		CHK: B. TALLEY 6-20-97		APPROVED: SE. LEONG		NAME: S.O. DIMM SOCKET ASSEMBLY, 0.8 mm, 3.3V 144 POSITION, LOW PROFILE FOR SDRAM TYPE MODULE	
MATERIAL: 1		FINISH: SEE TABLE		WEIGHT: -		CAGE CODE: 114-1114		DRAWING NO: 00779		RESTRICTED TO: -	
CUSTOMER DRAWING				SCALE: 4:1		SHEET: 1 OF 2		REV: K1		STE TE Connectivity	



RECOMMENDED P.C. BOARD PATTERN LAYOUT (CONNECTOR MOUNTING SIDE)

DIMENSIONS: mm		TOLERANCES UNLESS OTHERWISE SPECIFIED:		DRN: W. SORAH 6-20-97	CHK: B. TALLEY 6-20-97	NAME: S.O. DIMM SOCKET ASSEMBLY, 0.8 mm, 3.3V	
0 PLC	±0.2	1 PLC	±0.2	APD: SE LEONG	PROD: 108-1739	144 POSITION, LOW PROFILE FOR SDRAM TYPE MODULE	
2 PLC	±0.2	3 PLC	±0.2	APP: 114-1114	SIZE: A1	CAGE CODE: 00779	DRAWING NO: 390114
4 PLC	±0.2	ANGLES	±0.1	WEIGHT: -	SCALE: 4:1	SHEET: 2	REV: K1
MATERIAL: SEE TABLE	FINISH: SEE TABLE	CUSTOMER DRAWING		RESTRICTED TO			