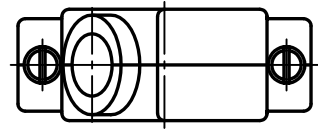
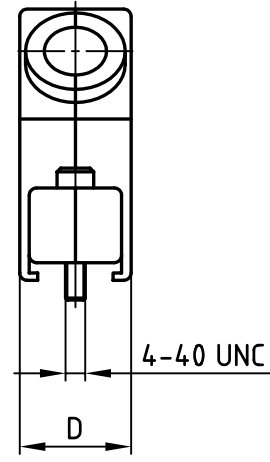
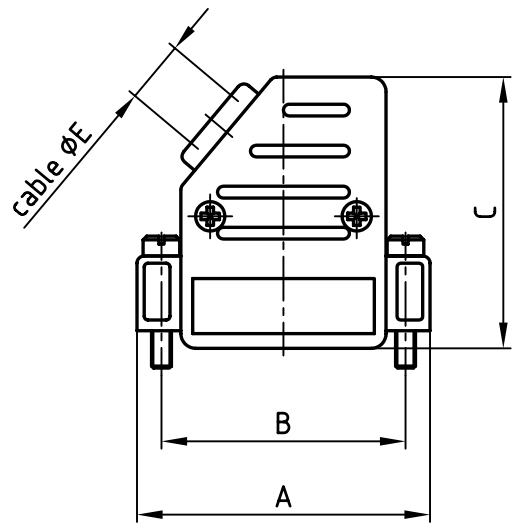


used for: D-SUB



| No. of pos. | A | B | C | D | ϕE | Part No. |
|-------------|------|------|------|------|----------|------------|
| 9 | 31.5 | 25.0 | 37.0 | 15.2 | 8.5 | 600X54009X |
| 15 | 40.0 | 33.3 | 37.0 | 15.2 | 8.5 | 600X54015X |
| 25 | 53.5 | 47.0 | 41.0 | 15.2 | 11.0 | 600X54025X |
| 37 | 70.0 | 63.5 | 41.0 | 15.2 | 11.0 | 600X54037X |
| 50 | 67.8 | 61.1 | 41.0 | 18.2 | 12.0 | 600X54050X |

Directive 2002/95/EC
"RoHS"
Compliant

APPROVAL # FREIGABE # DEBLOCAGE # AUTORIZACION # APPROVAL

CUSTOMER APPROVAL DATE:

NAME: TITLE:

COMPANY NAME:

APPROVAL # FREIGABE # DEBLOCAGE # AUTORIZACION # APPROVAL

NOTES:
1. HOOD: ABS UL 94 V-0; BLACK
2. SCREWS: BRASS; NICKEL PLATED

THIS DRAWING MAY NOT BE COPIED OR REPRODUCED IN ANY WAY, AND MAY NOT BE PASSED ON TO A THIRD PARTY WITHOUT WRITTEN PERMISSION.
OWNERSHIP AND COPYRIGHT OF CONEC GmbH
DO NOT ALTER CAD DRAWING BY HAND

| tolerance | | dim. in mm | |
|-----------|-------------|--------------|------|
| 2005 | date | name | |
| drawn | 23.09. | Lehmenkühler | |
| appd. | 23.09. | Mickenbecker | |
| norm | | | |
| d-old | | | |
| rev. | description | date | name |



| | |
|-----------|---|
| scale: | 1:1 |
| material: | SEE NOTES |
| title: | PLASTIC HOOD 9-50pos. WITH SIDE CABLE EXIT with short screws |
| dwg no: | AutoCAD 2004 |
| part no: | 16K1A1503 |
| | SEE TABLE |

DIN-A
4
sh: 1/1