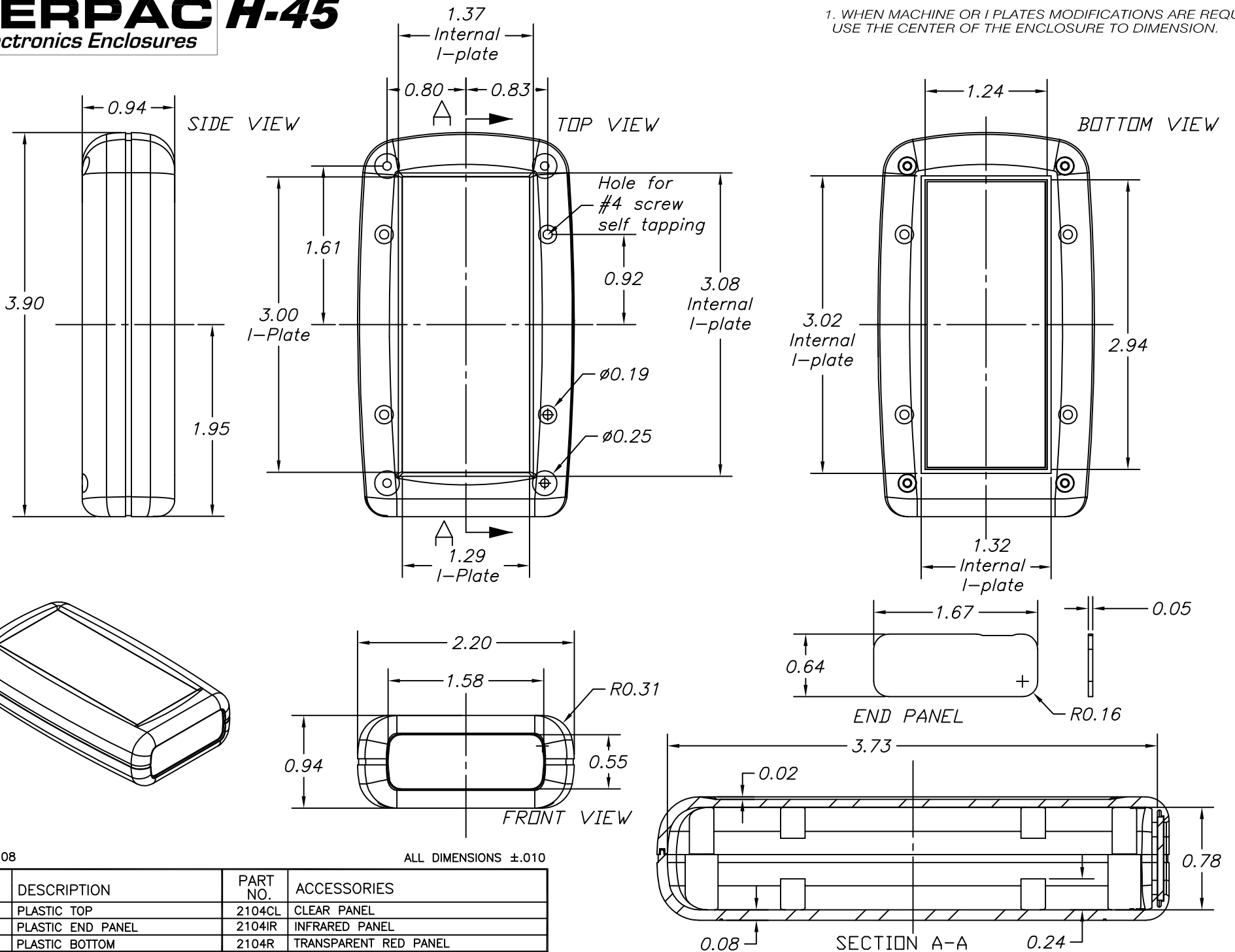


# SERPAC H-45

Electronics Enclosures

NOTES:

1. WHEN MACHINE OR I PLATES MODIFICATIONS ARE REQUIRED, USE THE CENTER OF THE ENCLOSURE TO DIMENSION.



11-24-08

ALL DIMENSIONS  $\pm 0.10$

PART NO.	DESCRIPTION	PART NO.	ACCESSORIES
1201	PLASTIC TOP	2104CL	CLEAR PANEL
2104	PLASTIC END PANEL	2104IR	INFRARED PANEL
1202	PLASTIC BOTTOM	2104R	TRANSPARENT RED PANEL
6003	SCREW		
71	BATTERY CONTACT		
72	BATTERY CONTACT		