

Model No: D27TG05-06
 Product Line: Tymphany

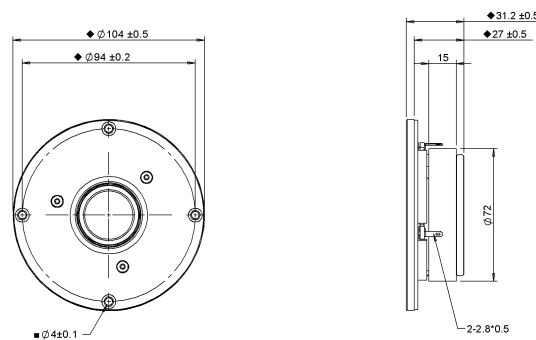
Rev: 1
 Last Update: 2017-04-21 12:39:42

Product Description

This D family tweeter features an 6 ohm 25 mm voice coil, a treated silk dome, and ferrofluid in the gap of the ferrite motor. The large ferrite motor allow for robust power handling capacity. The tweeter comes with a plastic faceplate with recessed mounting holes, for easy installation into the desired application. Is designed to be a high performance transducer.



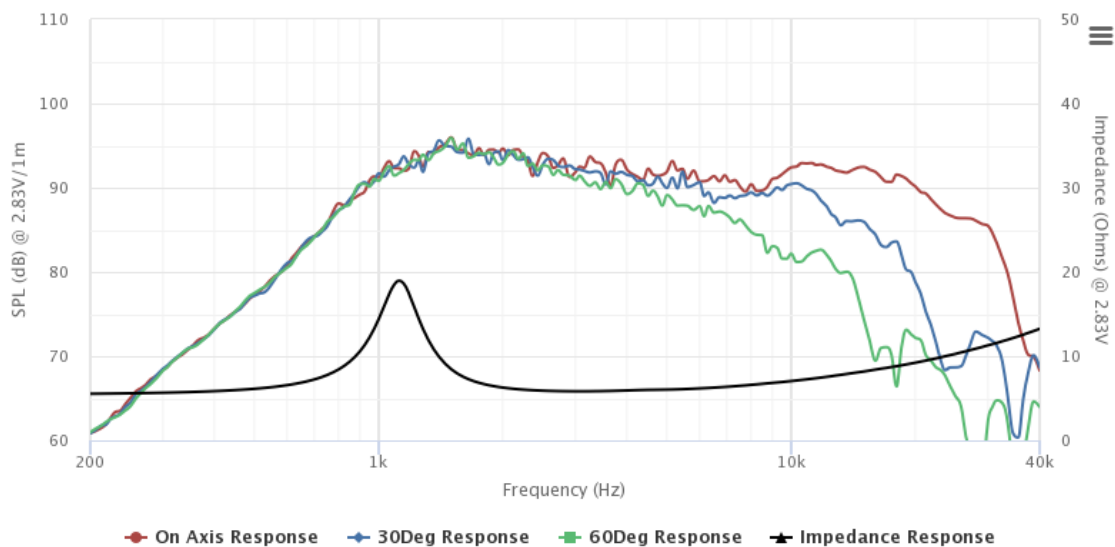
Mechanical Drawing



Specifications

DC Resistance	Revc	Ohms	4.9	5.0%	Energy Bandwidth Product	EBP	(1/Qes)*fs
Minimum Impedance	Zmin	Ohms	5.83	7.5%	Moving Mass	Mms	g
Voice Coil Inductance	Le	mH	0.04		Suspension Compliance	Cms	um/N
Resonant Frequency	Fs	Hz	1120	15%	Effective Cone diameter	D	cm
Mechanical Q Factor	Qms		3.9		Effective Piston Area	Sd	cm ²
Electrical Q Factor	Qes		1.59		Effective Volume	Vas	L
Total Q Factor	Qts		1.12		Motor Force Factor	BL	Tm
Ratio Fs/Qts	F	Fs/Qts	1000		Motor Efficiency Factor	β	(T*M ²)/Ohms
Half Space Sensitivity @2.83V	db@2.83V/1M	dB	92.29	+/- 1.0db	Voice coil former Material	VCfm	ASV
Half Space Sensitivity @1W/1M	db@1W/1M	dB	90.9	+/- 1.0db	Voice coil inner diameter	VCd	mm
Gap Height	Gh	mm	2.5		Rated Noise Power	P	W
Maximum Linear Excursion	Xmax	mm	0.4		Test Spectrum Bandwidth		2.5K-30K
Ferrofluid Type	FF		APGL11		Driver Size	Inch	25 mm
Driver Mass	Kg		0.5				

Frequency and Impedance Response



Highcharts.com