



# **XPress-Pro SW 92000**

## **User Guide**

## Copyright & Trademark

© 2005, Lantronix. All rights reserved. No part of the contents of this book may be transmitted or reproduced in any form or by any means without the written permission of Lantronix. Printed in the United States of America.

Ethernet is a trademark of XEROX Corporation. UNIX is a registered trademark of The Open Group. Windows 95, Windows 98, Windows 2000, and Windows NT are trademarks of Microsoft Corp. Netscape is a trademark of Netscape Communications Corporation.

## Contacts

### **Lantronix Corporate Headquarters**

15353 Barranca Parkway  
Irvine, CA 92618, USA  
Phone: 949-453-3990  
Fax: 949-453-3995

### **Technical Support**

Online: [www.lantronix.com/support](http://www.lantronix.com/support)

### **Sales Offices**

For a current list of our domestic and international sales offices, go to the Lantronix web site at [www.lantronix.com/about/contact](http://www.lantronix.com/about/contact) .

# Contents

<b>1: Preface</b>	<b>4</b>
Plug-and-Play Solution _____	4
<b>2: Product Overview</b>	<b>5</b>
Hardened Compact Switch _____	5
Package Contents _____	5
Product Highlights _____	5
Front Panel Display _____	6
Physical Ports _____	7
Connectivity _____	7
<b>3: Installation</b>	<b>8</b>
Selecting a Site for the Switch _____	8
DIN Rail Mounting _____	8
Connecting to Power _____	9
12VDC DC Jack _____	9
Redundant DC Terminal Block Power Inputs _____	9
Alarms for Power and Port Failure _____	10
Connecting to Your Network _____	11
Cable Type & Length _____	11
Cabling _____	11
<b>A: Specifications</b>	<b>12</b>
<b>B: Connector Pinouts</b>	<b>13</b>

# 1: Preface

A member of the growing family of rugged switches, this switch addresses a need for a smaller switch. This switch provides an affordable solution for rugged and outdoor environment, transportation road-side cabinet, industrial floor shop, multitenant dwellings or Fiber To The Home (FTTH) applications. Capable of operating at temperature extremes of -34°C to +74°C, this is the switch of choice for harsh environments constrained by space.

## Plug-and-Play Solution

The switch is a plug-and-play Fast Ethernet Switch in compact size. It doesn't have any complicated software to set up.

This manual describes how to install and use the hardened compact Ethernet Switch. This switch integrates full wire speed switching technology. This switch brings the answer to complicated hardened networking environments.

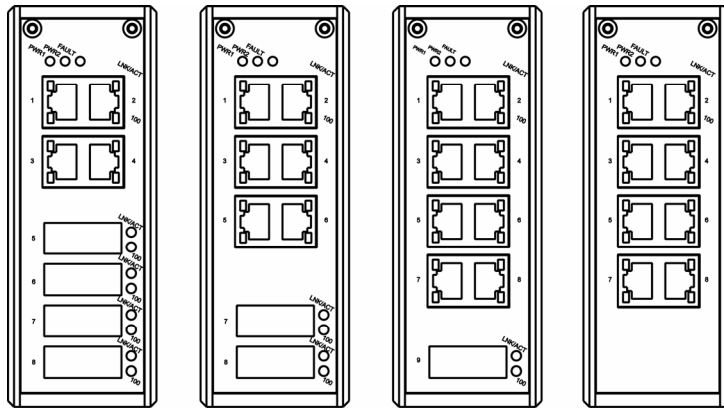
To get the most out of this manual, you should have an understanding of Ethernet networking concepts.

In this manual, you will find:

- ◆ Features on the switch
- ◆ Illustrative LED functions
- ◆ Installation instructions
- ◆ Specifications

## 2: Product Overview

### Hardened Compact Switch



### Package Contents

When you unpack the product package, you shall find the items listed below. Please inspect the contents, and report any apparent damage or missing items immediately to your authorized reseller.

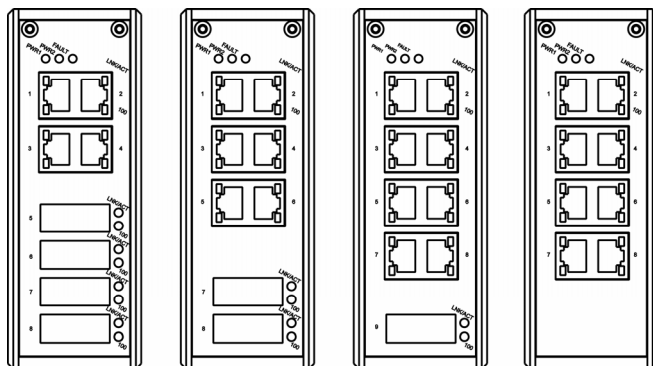
- ◆ This Switch
- ◆ User's Manual
- ◆ External power adapter & Power Cord (Optional)

### Product Highlights

- ◆ Meets NEMA TS2 Environmental requirements such as temperature, shock, and vibration for traffic control equipment.
- ◆ Meets IEC61000-6-2 EMC Generic Standard Immunity for industrial environment.
- ◆ Support 802.3/802.3u/802.3X.
- ◆ Auto-negotiation: 10/100Mbps, Full/half-duplex; Auto MDI/MDIX.
- ◆ Support 2K MAC addresses.
- ◆ Provides 96K bytes memory buffer.

- ◆ Alarms for power and port failure by relay output.
- ◆ Operating voltage and Max. current consumption: 12VDC @ 0.99A, 24VDC @ 0.55A, 48VDC @ 0.39A. Power consumption: 18.72W Max.
- ◆ Power Supply: Redundant DC Terminal Block power inputs or 12VDC DC JACK with 124-240VAC external power supply.
- ◆ Supports Din-rail mounting installation.

## Front Panel Display



LED	State	Indication
<b>POWER</b>		
PWR1 PWR2 (Green)	Steady	Switch is properly connected to power and turned on.
	Off	Switch is not connected to power and is turned off.
<b>FAULT</b>		
FAULT (Red)	Steady	Power failure occurred. Port failure occurred (when port fault alarm dip switch is enabled).
	Off	Power failure is not occurred. Port failure is not occurred (when port fault alarm dip switch is enabled). 3. Port fault alarm dip switch is disabled.
<b>10/100TX or 100FX</b>		
LNK/ACT (Green)	Steady	A valid network connection established. LNK stands for LINK.
	Flashing	Transmitting or receiving data. ACT stands for ACTIVITY.
100 (Yellow)	Steady	Light solid yellow for a port transferring at 100Mbps.
	Off	The port is transferring at 10Mbps If this LED is dark.

## Physical Ports

This switch provides:

- ◆ Eight 10/100BaseTX ports
- ◆ Eight 10/100BaseTX ports + one 100BaseFX port
- ◆ Six 10/100BaseTX ports + two 100BaseFX ports
- ◆ Four 10/100BaseTX ports + four 100BaseFX ports

## Connectivity

- ◆ RJ-45 connectors
- ◆ SC, ST, VF-45 or MT-RJ connector on 100BaseFX fiber port.

## 3: Installation

This chapter gives step-by-step instructions about how to install the switch:

### Selecting a Site for the Switch

As with any electric device, you should place the switch where it will not be subjected to extreme temperatures, humidity, or electromagnetic interference. Specifically, the site you select should meet the following requirements:

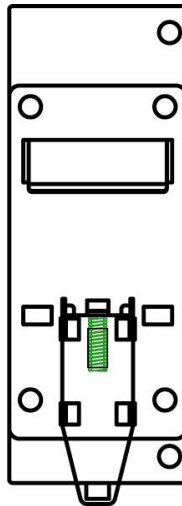
- ◆ The ambient temperature should be between -34 to 74 degrees Celsius.
- ◆ The relative humidity should be less than 95 percent, non-condensing.
- ◆ Surrounding electrical devices should not exceed the electromagnetic field (RFC) standards.
- ◆ Make sure that the switch receives adequate ventilation. Do not block the ventilation holes on each side of the switch
- ◆ The power outlet should be within 1.8 meters of the switch.

### DIN Rail Mounting

Fix the DIN rail attachment plate to the back panel of the switch.

Installation: Place the switch on the DIN rail from above using the slot. Push the front of the switch toward the mounting surface until it audibly snaps into place.

Removal: Pull out the lower edge and then remove the switch from the DIN rail.



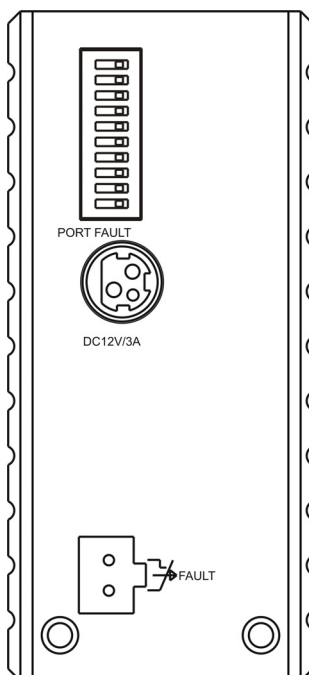


## Connecting to Power

Redundant DC Terminal Block Power Inputs or 12VDC DC Jack:

### 12VDC DC Jack

1. Connect the supplied AC to DC power adapter to the receptacle on the topside of the switch.
2. Connect the power cord to the AC to DC power adapter and attach the plug into a standard AC outlet with the appropriate AC voltage.

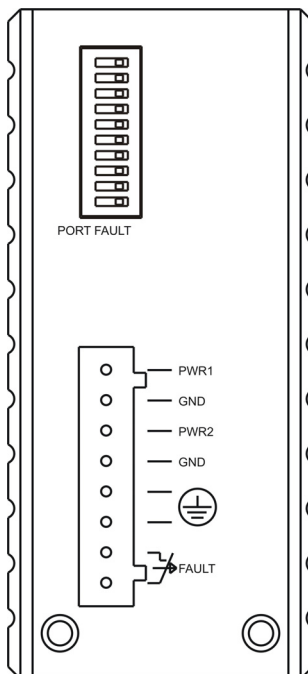


### Redundant DC Terminal Block Power Inputs

There are two pairs of power inputs can be used to power up this device. You only need to have one power input connected to run the switch.


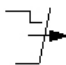
Connect the DC power cord to the plug-able terminal block on the switch, and then plug it into a standard DC outlet.

Disconnect the power cord if you want to shut down the switch.



### Alarms for Power and Port Failure

1. There are two pins on the terminal block are used for power failure detection. It provides the normally closed output when the power source is active. Use this as a dry contact application to send a signal for power failure detection.

Terminal Assignment	
PWR1	Power Input 1 (10 ~ 48VDC)
GND	Power Ground
PWR2	Power Input 2 (10 ~ 48VDC)
GND	Power Ground
	Earth Ground
 FAULT	1. The relay opens if PWR1 or PWR2 fails 2. The relay opens if the Port Link is broken (When Link Down Detection is Enabled)

ON	DIP	ON: Enable Port Fault Alarm
<input type="checkbox"/>	<input type="checkbox"/>	OFF: Disable Port Fault Alarm
1	2	PIN 10: N/A
3	4	
5	6	
7	8	
9	10	

**Note:** The relay output is normal open position when there is no power to the switch. Please do not connect any power source to this terminal to prevent the shortage to your power supply.

## Connecting to Your Network

### Cable Type & Length

It is necessary to follow the cable specifications below when connecting the switch to your network. Use appropriate cables that meet your speed and cabling requirements.

Speed	Connector	Port Speed Half/Full Duplex	Cable	Max. Distance
10BaseT	RJ-45	10/20 Mbps	2-pair UTP/STP Cat. 3, 4, 5	100 m
100BaseTX	RJ-45	100/200 Mbps	2-pair UTP/STP Cat. 5	100 m
100BaseFX	SC, ST, VF-45, MT-RJ	100/200 Mbps	MMF (50 or 62.5µm)	2 km
100BaseFX	SC	100/200 Mbps	SMF (9 or 10µm)	15, 40, or 75 km

### Cabling

1. First, ensure the power of the switch and end devices is turned off.
2. **Note:** Always ensure that the power is off before any installation.
3. Prepare cable with corresponding connectors for each type of port in use.
4. **Note:** To connect two regular RJ-45 ports between switches or hubs, you need a cross-over cable.
5. Consult the previous section for cabling requirements based on connectors and speed.
6. Connect one end of the cable to the switch and the other end to a desired device.
7. Once the connections between two end devices are made successfully, turn on the power and the switch is operational.

## A: Specifications

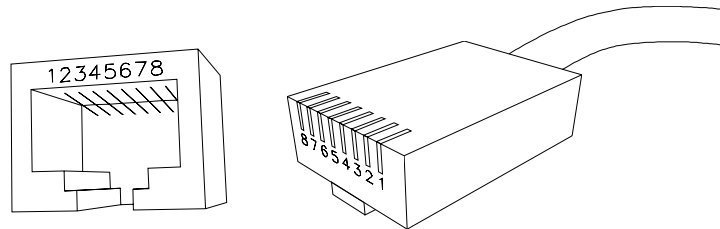
Specification	Description
Hardened Compact Switch	10/100BaseT/TX auto-negotiating ports with RJ-45 connectors, 100BaseFX fiber ports
Applicable Standards	IEEE 802.3 10BaseT IEEE 802.3u 100BaseTX/FX
Switching Method	Store-and-Forward
Forwarding Rate	
10BaseT:	10 / 20Mbps half / full-duplex
100BaseTX/FX:	100 / 200Mbps half / full-duplex
Performance	148,80pps for 10Mbps 148,800pps for 100Mbps
Cable	
10BaseT:	2-pair UTP/STP Cat. 3, 4, 5
100BaseTX:	2-pair UTP/STP Cat. 5 Up to 100m (328ft)
100BaseFX:	MMF (50 or 62.5µm), SMF (9 or 10µm)
LED Indicators	Per unit – Power status (PWR1, PWR2) Per port – LNK/ACT – (Green) 10/100TX or 100FX 100 – (Yellow) 10/100TX or 100FX
Dimensions	W50mm × D110mm × H136mm Compact Size
Net Weight	0.8kg approx.
Power	DC Jack: 12VDC, External AC/DC required Terminal Block: 10-48VDC
Operating Voltage & Max. Current Consumption	12VDC @ 0.99A, 24VDC @ 0.55A, 48VDC @ 0.39A
Power Consumption	18.72W Max.
Operating Temperature	-34°C to 74° C
Storage Temperature	-45°C to 93°C
Humidity	10%-95% non-condensing
Safety	UL/CUL 60950, EN60950, IEC 60950, IEC 61000-6-2
Emissions	FCC, CE

### Standards

ESD Standard (IEC 61000-4-2)
Radiated FRI Standards (IEC 61000-4-3)
Burst Standards (IEC 61000-4-4)
Surge Standards (IEC 61000-4-5)
Induced (Conducted) RFE Standards (IEC 61000-4-6)
Magnetic Field Standards (IEC 61000-4-8)
Voltage Dips Standards (IEC 61000-4-11)
Environmental Test Compliance:
Vibration Resistance (IEC 60068-2-6)
Shock (IEC 60068-2-27)
Free Fall (IEC 60068-2-32)

## B: Connector Pinouts

Pin arrangement of RJ-45 connectors



The following table lists the pinout of 10/100BaseT/TX ports.

Pin	Regular Ports	Uplink port
1	Input Receive Data +	Output Transmit Data +
2	Input Receive Data -	Output Transmit Data -
3	Output Transmit Data +	Input Receive Data +
4	NC	NC
5	NC	NC
6	Output Transmit Data -	Input Receive Data -
7	NC	NC
8	NC	NC