

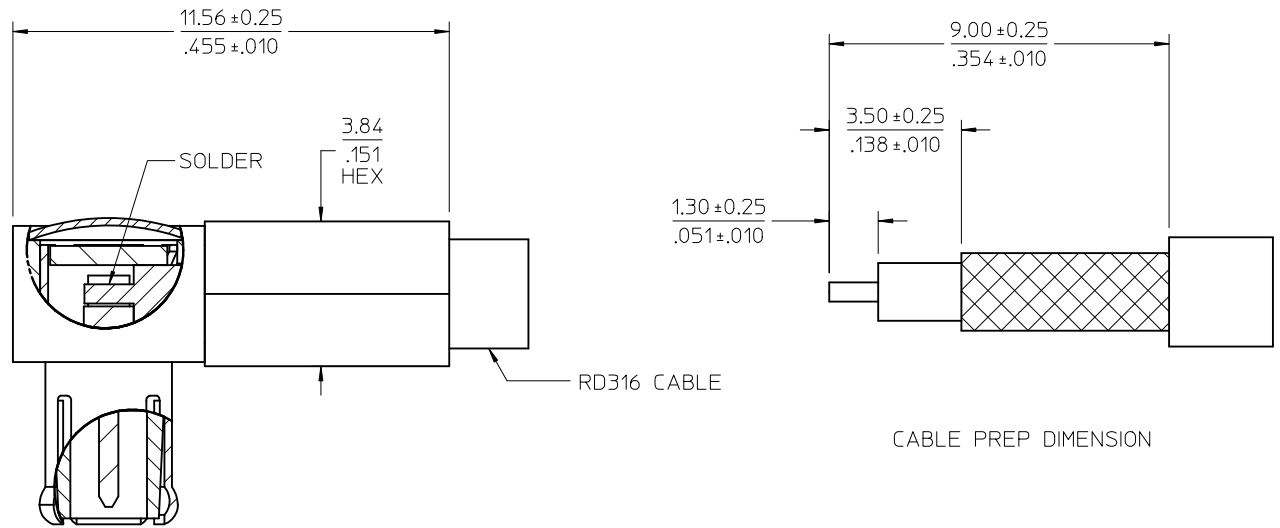
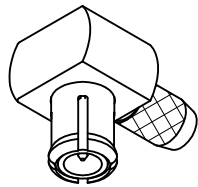
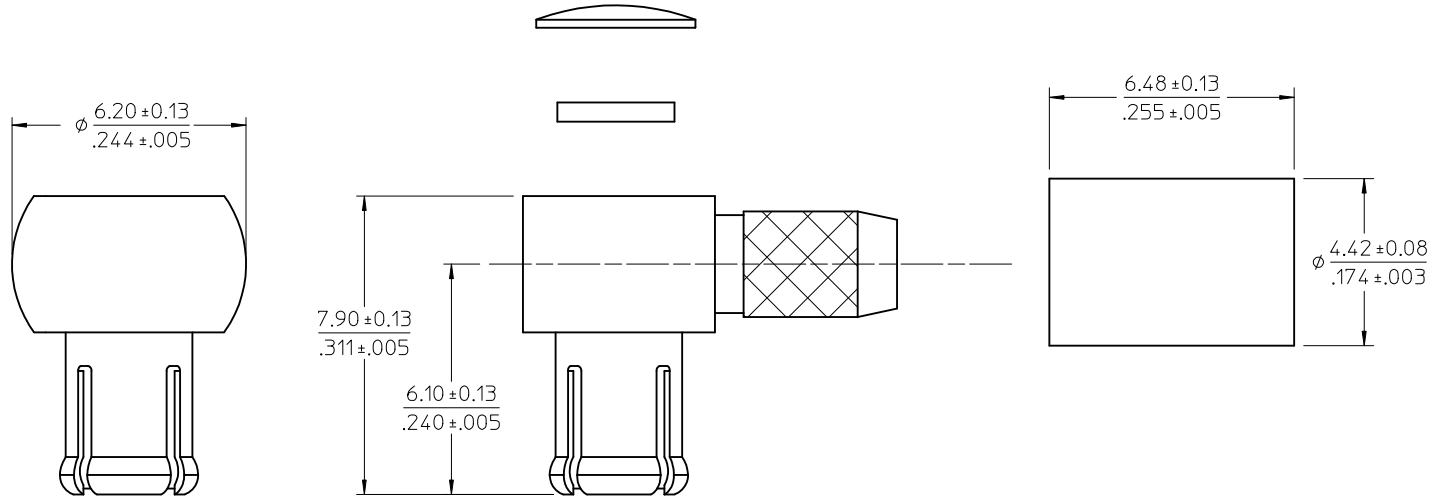
MATERIALS AND FINISHES

BODY, CRIMP TUBE, CAP: BRASS
PLATED: SEE TABLE

OUTER CONTACT: COPPER ALLOY
PLATED: SEE TABLE

CONTACT: BRASS
GOLD PLATED

INSULATORS: TEFLON



NOTE: CRIMP TUBE NOT INCLUDED FOR 73415-2231

| | | | |
|------------|------------|-------------|------------|
| 73415-2235 | NICKEL | GOLD (30u") | NICKEL |
| 73415-2234 | GOLD | GOLD (10u") | NICKEL |
| 73415-2233 | GOLD | GOLD (10u") | GOLD |
| 73415-2232 | NICKEL | NICKEL | NICKEL |
| 73415-2231 | NICKEL | NICKEL | N/A |
| 73415-2230 | NICKEL | NICKEL | NICKEL |
| PART NO. | PLATING | PLATING | PLATING |
| | BODY & CAP | OUTER CONT. | CRIMP TUBE |

| CHG: UPDATED STRIPS FOR IPC COMPLIANCE. EC NO: URF2012-0703 DRWN: ROBERTSON 2012/05/23 CHKD: SSS 2012/05/23 APPR: WIENER 2012/05/24 A7 | QUALITY SYMBOLS ▽=0 ▽=0 | GENERAL TOLERANCES (UNLESS SPECIFIED) <table border="1"> <tr> <th></th> <th>mm</th> <th>INCH</th> </tr> <tr> <td>4 PLACES</td> <td>± .005</td> <td>± .0002</td> </tr> <tr> <td>3 PLACES</td> <td>± .005</td> <td>± .0002</td> </tr> <tr> <td>2 PLACES</td> <td>± .005</td> <td>± .0002</td> </tr> <tr> <td>1 PLACE</td> <td>± .005</td> <td>± .0002</td> </tr> </table> ANGULAR ± 2° | | mm | INCH | 4 PLACES | ± .005 | ± .0002 | 3 PLACES | ± .005 | ± .0002 | 2 PLACES | ± .005 | ± .0002 | 1 PLACE | ± .005 | ± .0002 | DIMENSION STYLE MM/IN | SCALE DESIGN UNITS METRIC | THIRD ANGLE PROJECTION |
|---|-------------------------------|---|--------------------|---|------------------------------|----------|--------|---------|----------|--------|---------|----------|--------|---------|---------|--------|---------|--------------------------|---------------------------------|------------------------|
| | | mm | INCH | | | | | | | | | | | | | | | | | |
| | 4 PLACES | ± .005 | ± .0002 | | | | | | | | | | | | | | | | | |
| | 3 PLACES | ± .005 | ± .0002 | | | | | | | | | | | | | | | | | |
| 2 PLACES | ± .005 | ± .0002 | | | | | | | | | | | | | | | | | | |
| 1 PLACE | ± .005 | ± .0002 | | | | | | | | | | | | | | | | | | |
| | | DRAWN BY GMH | DATE 2000/06/09 | TITLE MCX PLUG RA RD316 CABLE 50 OHM EWR-3900, MCX-PC/RA | | | | | | | | | | | | | | | | |
| | | CHECKED BY SSS | DATE 2000/06/09 | MOLEX INCORPORATED | | | | | | | | | | | | | | | | |
| | | APPROVED BY XXX | DATE 0000/00/00 | MATERIAL NO. SEE TABLE | DOCUMENT NO. SD-73415-223 | | | | | | | | | | | | | | | |

DRAFT WHERE APPLICABLE MUST REMAIN WITHIN DIMENSIONS

THIS DRAWING CONTAINS INFORMATION THAT IS PROPRIETARY TO MOLEX INCORPORATED AND SHOULD NOT BE USED WITHOUT WRITTEN PERMISSION

SHEET NO. 1 OF 1