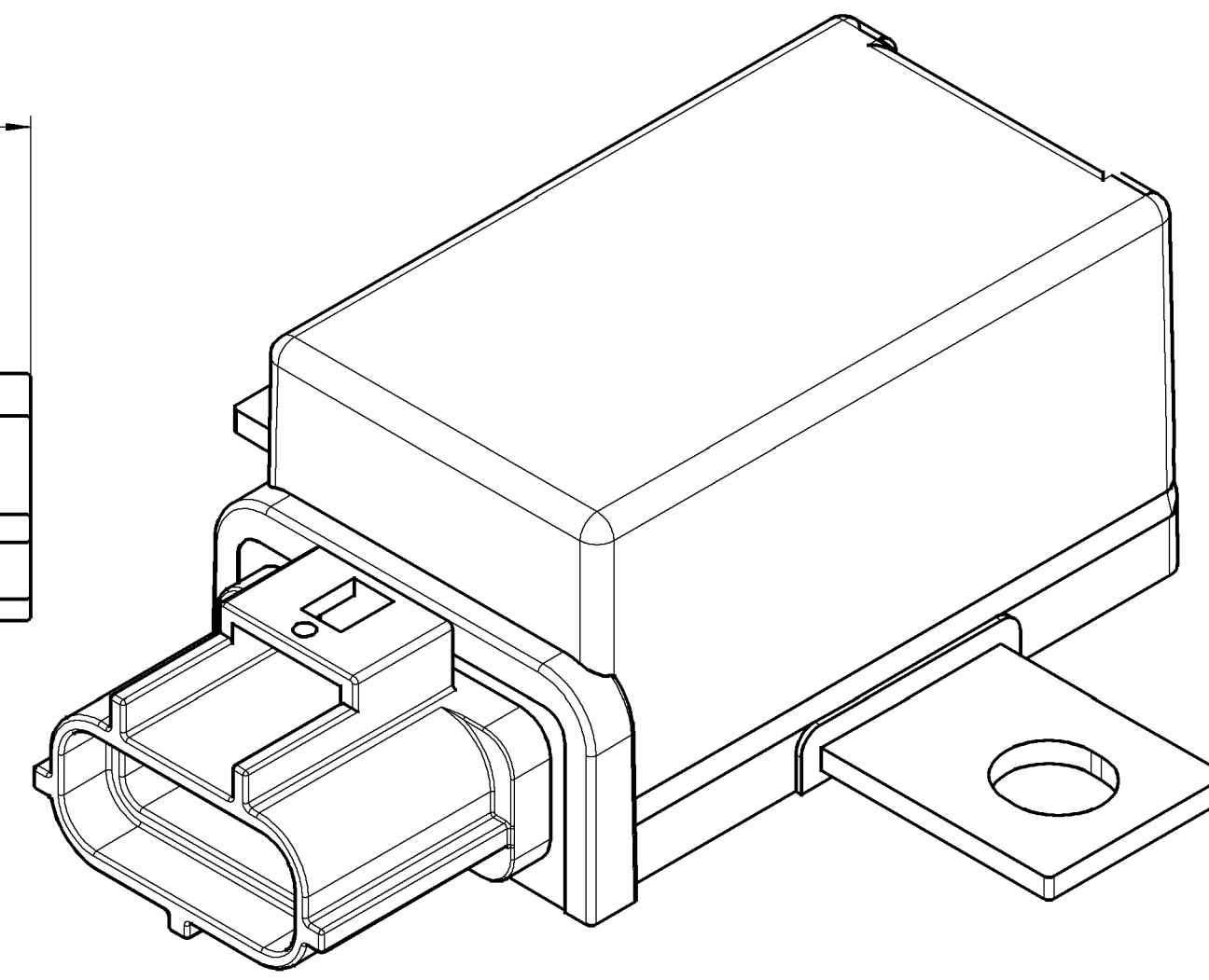
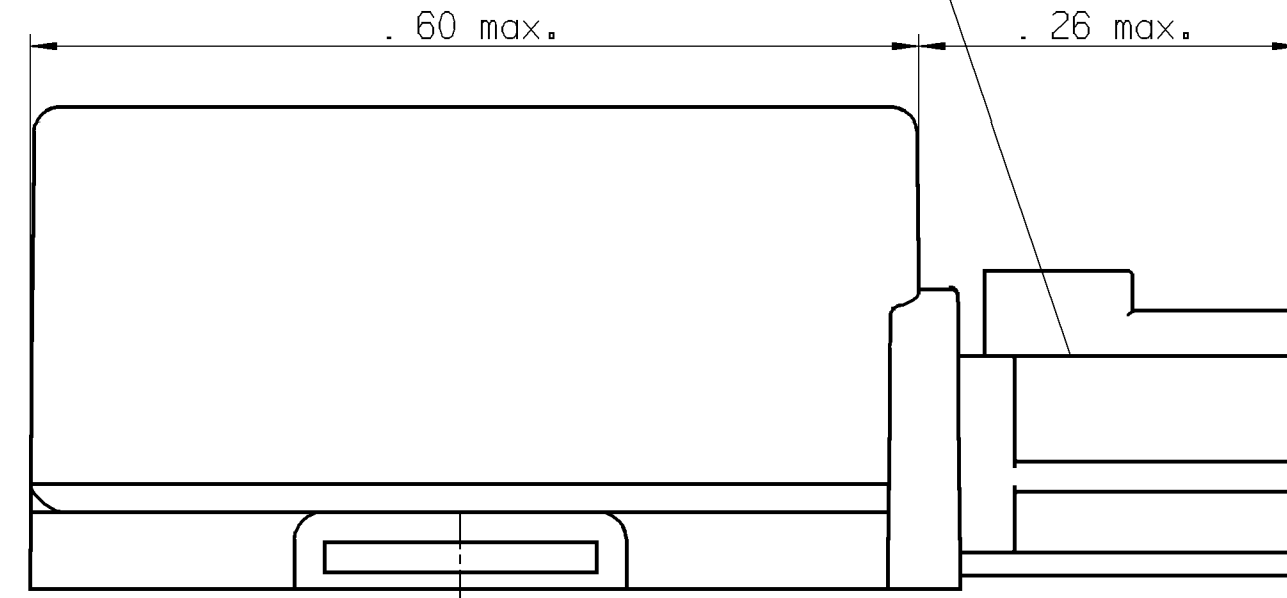
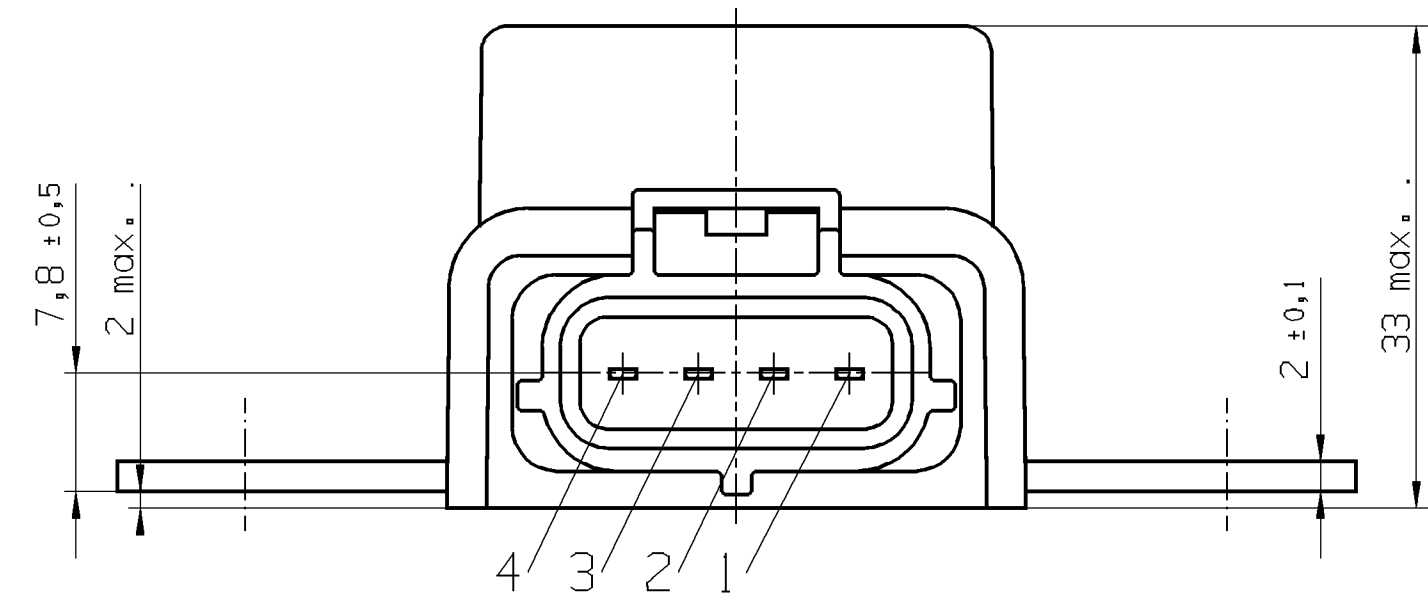
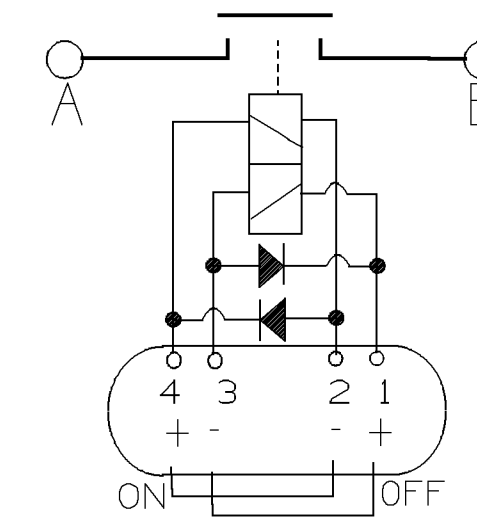


AMP Sensor Connector 4-Position 0.070 Series,
appropriate for AMP part no. 184046-1



3D-VIEW

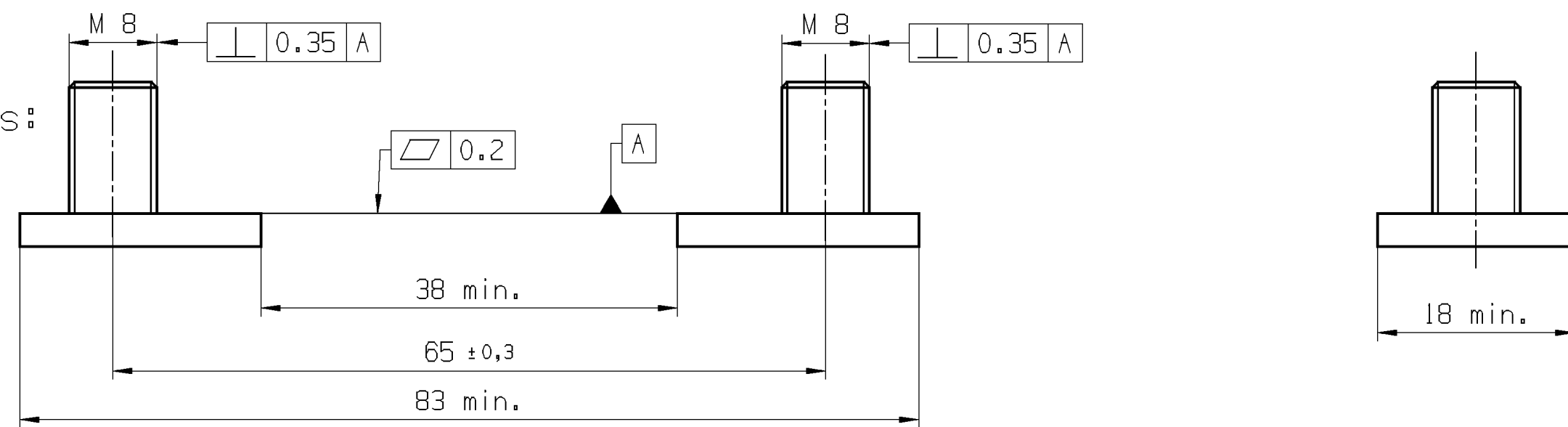
Pin Assignment



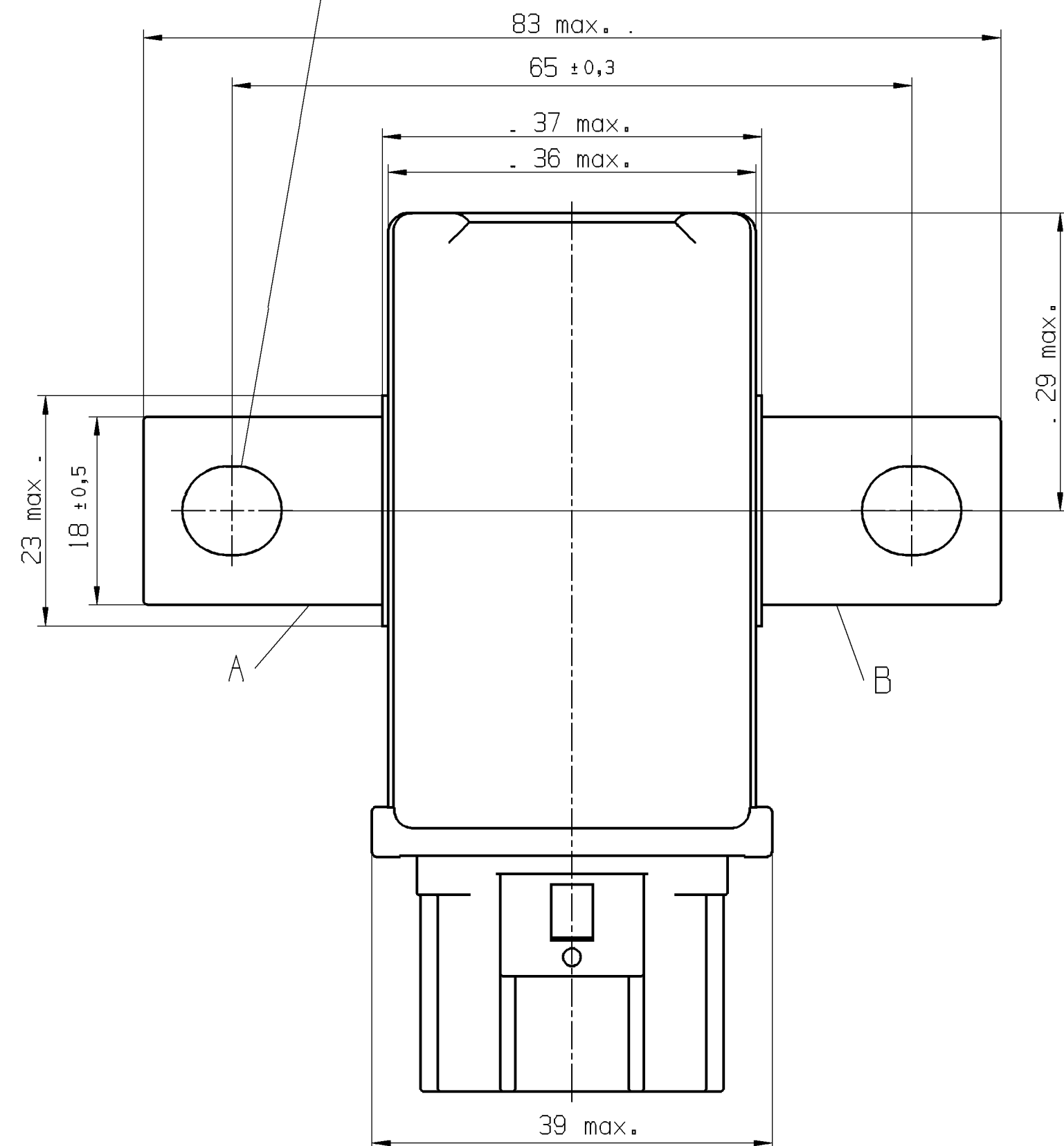
Terminal	Function
4	Set Coil (+)
3	Reset Coil (-)
2	Set Coil (-)
1	Reset Coil (+)
A	Load Terminal
B	Load Terminal

Set = A and B get connected

Mounting Conditions:



Permitted Screwing Torque: 13Nm max.
This screwing torque will not cause any defect on the relay



Tyco Electronics Part Number
1-1414939-4

PROPRIETARY <small>THE REPRODUCTION, TRANSMISSION OR USE OF THIS DOCUMENT OR IT'S CONTENTS IS NOT PERMITTED WITHOUT EXPRESSED WRITTEN AUTHORITY. OFFENDERS WILL BE LIABLE FOR ALL DAMAGES. ALL RIGHTS, INCLUDING RIGHTS CREATED BY REGISTERED PATENTS ARE GRANTED FOR A UTILITY MODEL OR DESIGN, ARE RESERVED.</small>		CHANGES TO THIS DRAWING MUST BE DONE ONLY IN CAD	PAPER SIZE A1
APPLICABLE SPEC. :		FINISH	
DIMENSIONS UNLESS SPECIFIED OTHERWISE ISO 2768-CL		DIMENSIONS IN MM DATE: 28.02.2002 NAME: Th. Hoehnel	DIMENSIONS APPLY SCALE: 2:1 PLATING WEIGHT
MATERIAL		MATERIAL	
PART NAME BDS-A 14V Latching		PART NO. V23130-C2021-A412-CD	
Tyco Electronics		PART NO. V23130-C2021-A412-CD	
REV. A Initial CHANGE ORDER	DATE 2007-09-18 APP. Thash	SHT. 1 OF 1	APP.