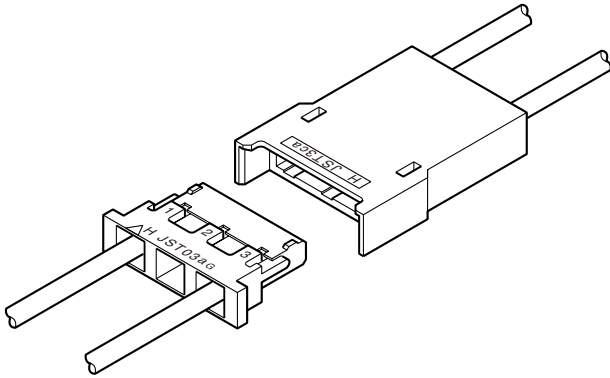


BHM CONNECTOR

4.0/8.0mm pitch/Disconnectable Crimp style Wire-to-wire connectors





Wire-to-wire version connectors, designed for liquid crystal display back light lamps.

- **Contact lances**
- **Box shaped housing**

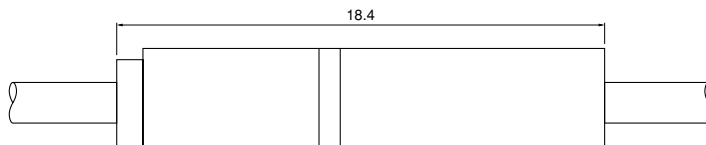
Specifications

- Current rating: 1.0A AC, DC max.
 - Voltage rating: 600V AC, DC max.
 - Temperature range: -25°C to +85°C
(including temperature rise in applying electrical current)
 - Contact resistance: Initial value/10m Ω max.
After environmental testing/20m Ω max.
 - Insulation resistance: 1,000M Ω min.
 - Withstanding voltage: 1,800V AC/minute
 - Applicable wire: AWG #28 to #22
0.08 to 0.33mm²
- * Compliant with RoHS.
* Refer to "General Instruction and Notice when using Terminals and Connectors" at the end of this catalog.
* Contact JST for details.

Standards

-  Recognized E60389
-  Certified LR20812

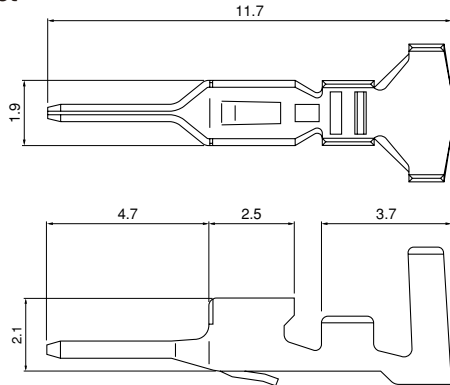
Assembly layout



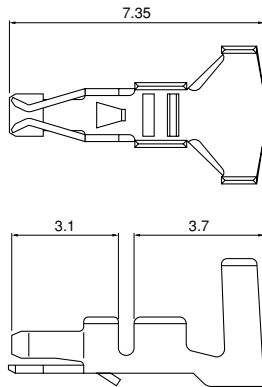
BHM CONNECTOR

Contact

Pin contact



Socket contact



Model No.		Applicable wire		Insulation O.D. (mm)	Q'ty / reel
Pin contact	Socket contact	mm ²	AWG #		
SBHM-001T-P0.5	SBH-001T-P0.5	0.08~0.33	28~22	1.6~2.4	4,000

Material and Finish

Phosphor bronze, tin-plated (reflow treatment)

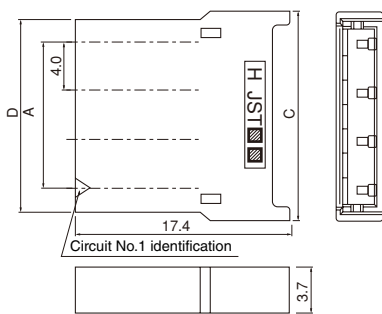
RoHS compliance

Contact	Crimping machine	Applicator		
		Crimp applicator	Dies	Crimp applicator with dies
SBHM-001T-P0.5	AP-K2N	MKS-L	MK/SBH/M-001-05	APLMK SBH/M001-05
		*MKS-SC1-1	SC/SBH/M-001-05	APLSC SBH/M001-05
SBH-001T-P0.5	AP-K2N	MKS-L	MK/SBH/M-001-05	APLMK SBH/M001-05
		*MKS-SC1-1	SC/SBH/M-001-05	APLSC SBH/M001-05

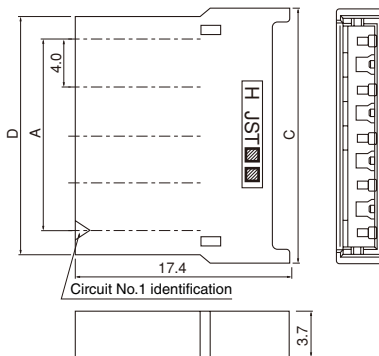
Note: *Strip-crimp applicator

Housing

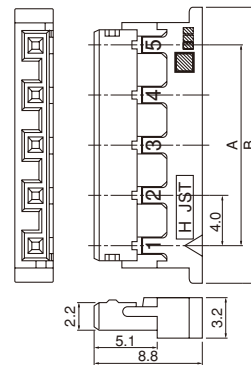
Receptacle housing (for pin contact) (2 to 4 circuits)



(5 circuits)



Socket housing (for socket contact)



Circuits	Model No.		Dimensions (mm)				Q'ty / bag
	Receptacle housing	Socket housing	A	B	C	D	
2	BHMR-02V	BHR-02VS-1	4.0	9.8	9.1	7.8	1,000
3	BHMR-03V	BHR-03VS-1	8.0	13.8	13.1	11.8	1,000
4	BHMR-04V	BHR-04VS-1	12.0	17.8	17.1	15.8	1,000
5	BHMR-05V-R	BHR-05VS-1	16.0	21.8	21.1	19.8	1,000

Material

PA 66, UL94V-0, natural (white)

RoHS compliance

Note: BHMR-05V-R and BHR-05VS-1 have ribs against prying.