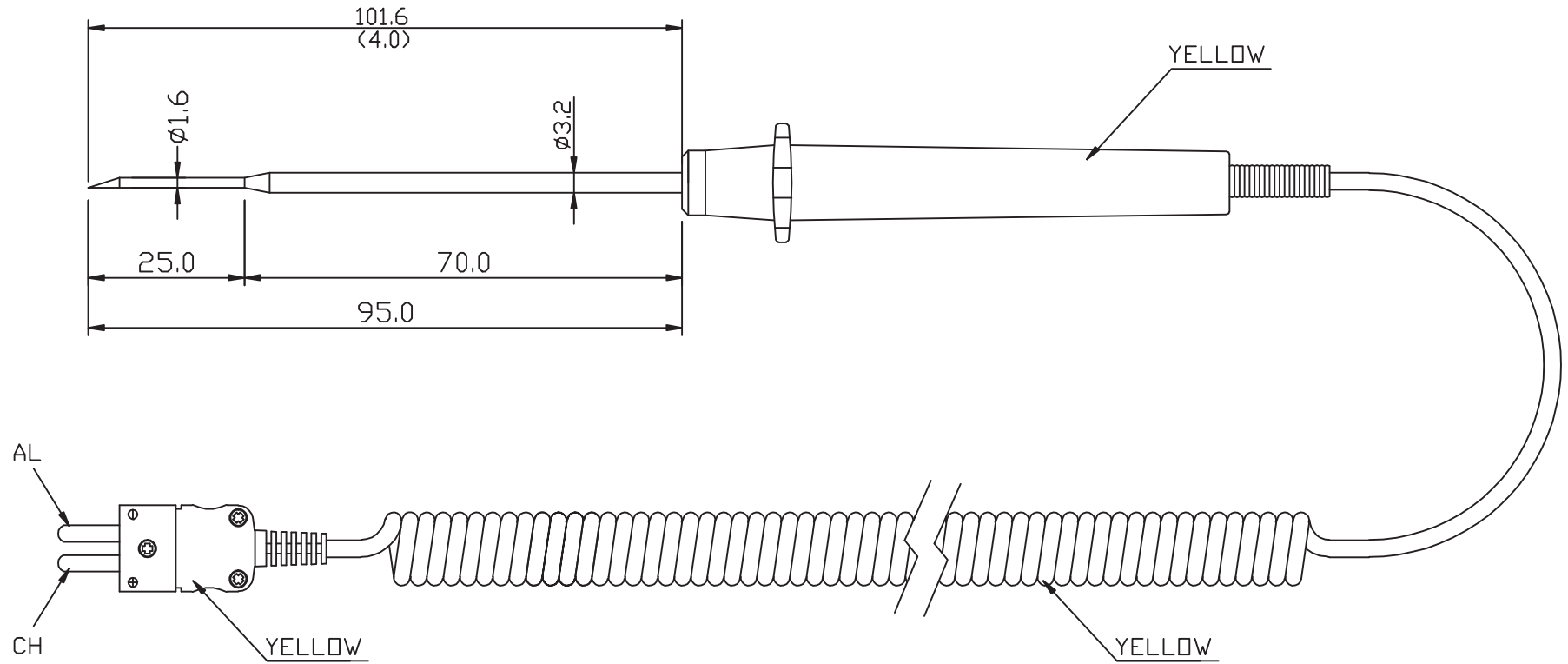


TYPE	SENSOR	CONNECTOR	RANGE	STEM LENGTH	DIAMETER	LEAD LENGTH	MATERIAL
Food(Chisel)	K-TYPE	SUB-MINI	-50°C TO 250°C	3.74 95.0	1.6/3.2 m/m	1 meter	CH(+), AL(-)



mm
(inch)

Copyright © 2007 Test Products International, Inc.

Part Number: FK21M
Date: 10/03/07