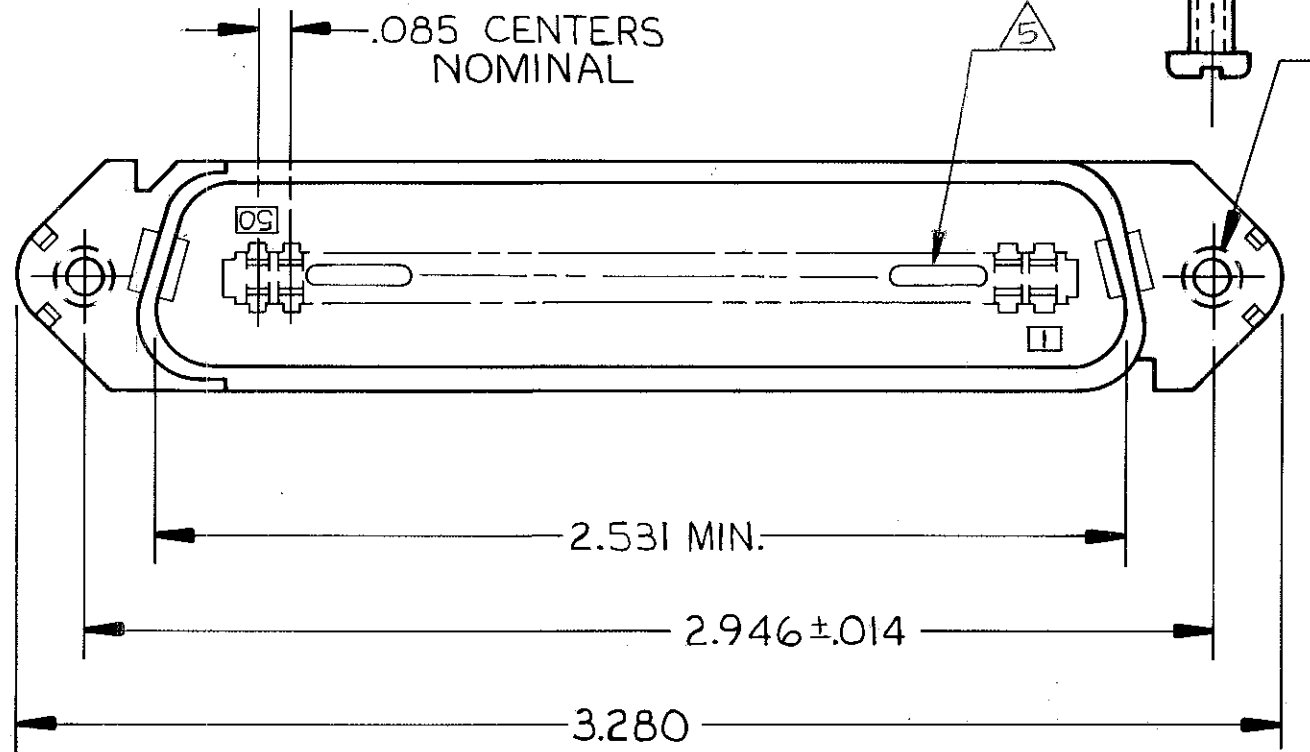
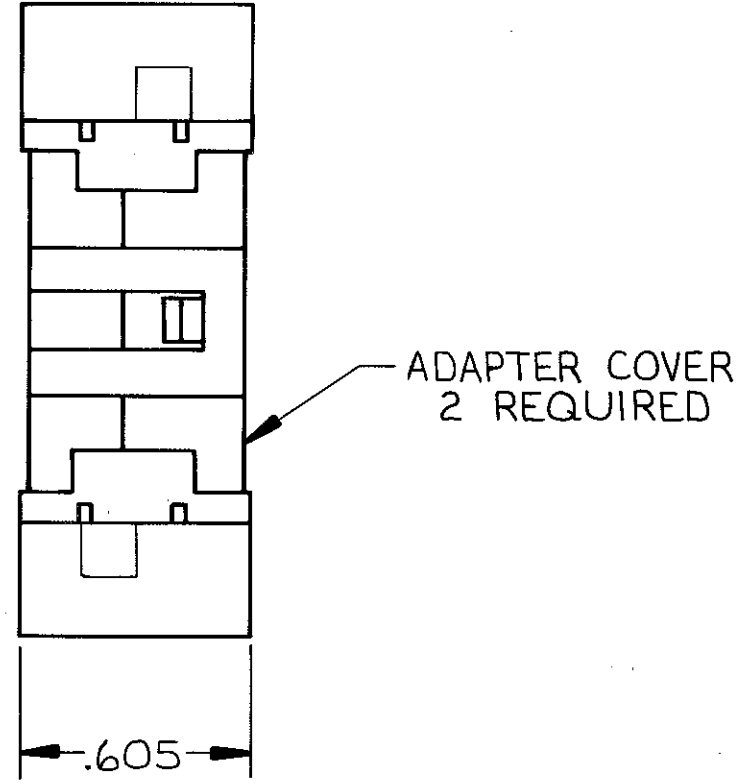
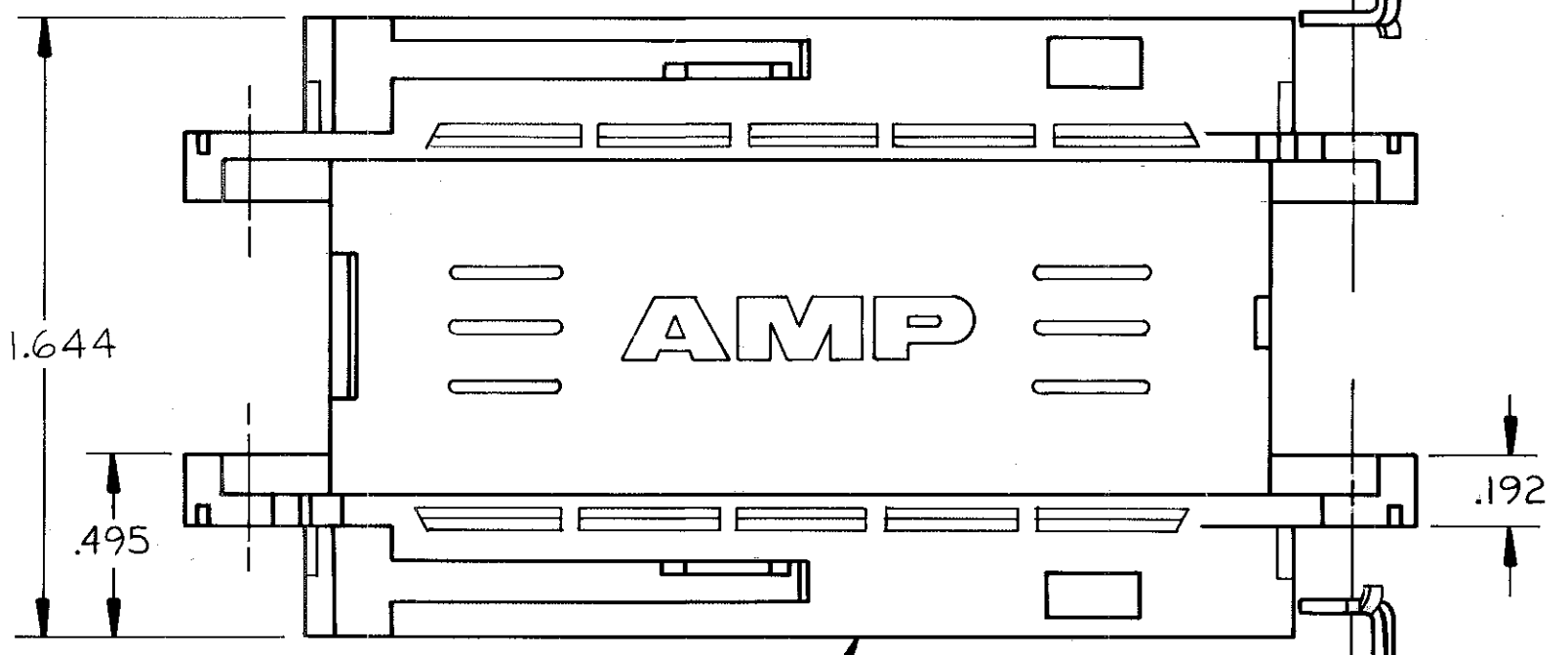
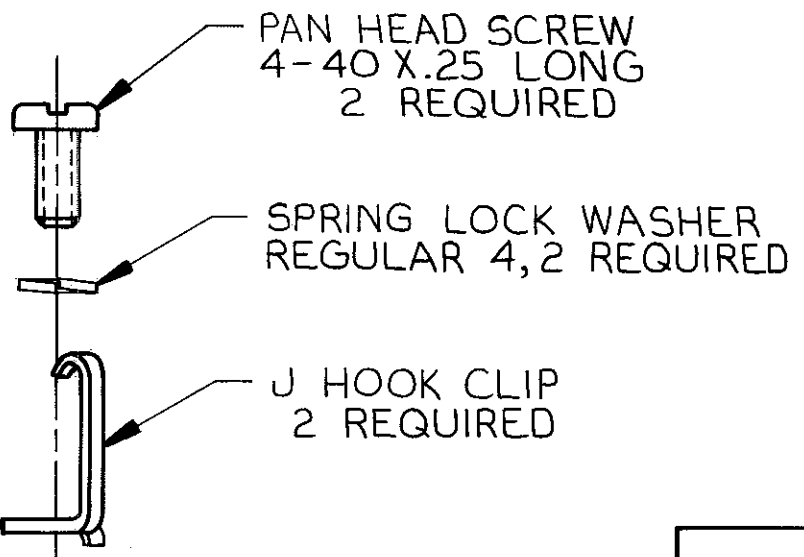
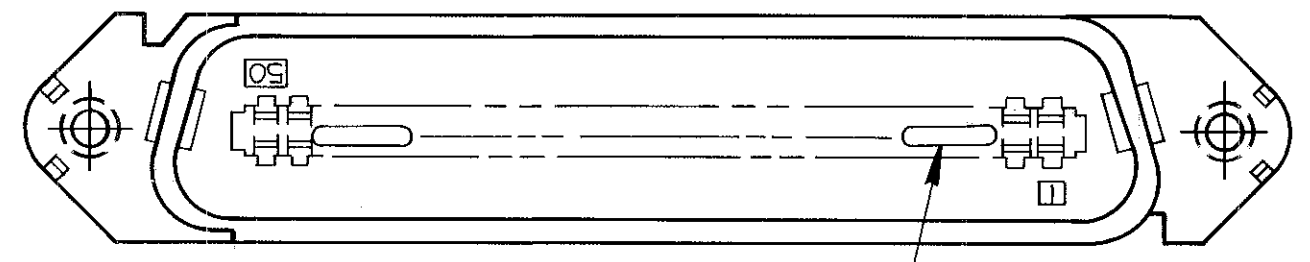


THIS DRAWING IS UNPUBLISHED. RELEASED FOR PUBLICATION
 © COPYRIGHT 19 BY AMP INCORPORATED, HARRISBURG, PA. ALL INTERNATIONAL RIGHTS RESERVED. AMP PRODUCTS MAY BE COVERED BY U.S. AND FOREIGN PATENTS AND/OR PATENTS PENDING.

REVISIONS						
P	F	ZONE	LTR	DESCRIPTION	DATE	APPROVED
				G REV; EC OUIK-0040-01	3-19-01	DD EB

1. LIKE NUMBERED CONTACTS ON BOTH CONNECTORS ARE ELECTRICALLY COMMON.
 2. THE CONTACT SURFACES OF THE TERMINALS ARE COATED WITH LUBRICANT.
 3. MATERIAL: HOUSINGS & COVERS - POLYPHENYLENE, BLACK.
TERMINALS - GOLD OVER NICKEL PLATED HIGH STRENGTH COPPER ALLOY.
HARDWARE - ZINC PLATED STEEL.
 4. ALL DIMENSIONS SHOWN ARE MAXIMUM UNLESS OTHERWISE SPECIFIED.
5. CORING MAY OR MAY NOT APPEAR AND IS AT THE DISCRETION OF AMP INCORPORATED.



PLUG ASSEMBLY
2 REQUIRED

PACKAGING	DESCRIPTION	PART NO
ONE KIT PER POLY BAG	WITHOUT J HOOK & HARDWARE	554876-2
	WITH J HOOK & HARDWARE	554876-1

UNLESS OTHERWISE SPECIFIED DIMENSIONS ARE IN INCHES. TOLERANCES ON: DECIMALS ± ANGLES ±	CONTRACT NO		AMP AMP INCORPORATED Harrisburg, Pa. 17105		
	DR <i>M. D. Byerly</i> 9/26/85				
	MATERIAL	CHK <i>B. Gant</i> 9/27/85		NAME PLUG KIT, GENDER MENDER, 50 POSITION, W/J HOOK HARDWARE, CHAMP-LOK	
		APPD <i>B. Hutchens</i> 10/1/85			
FINISH	APPD <i>W. K. Kuntz</i> 10/1/85		SIZE C	FSCM NO 00779	DRAWING NO 554876
	OSGN APPD		SCALE 2:1		SHEET 1 OF 1
		OTHER APPD			

CUSTOMER DRAWING

WAS 1210-85-29-1

554876