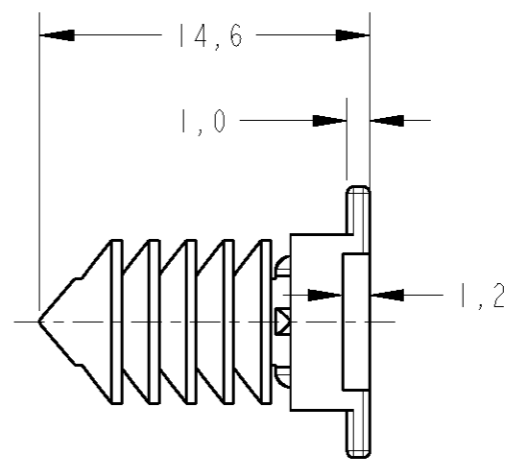
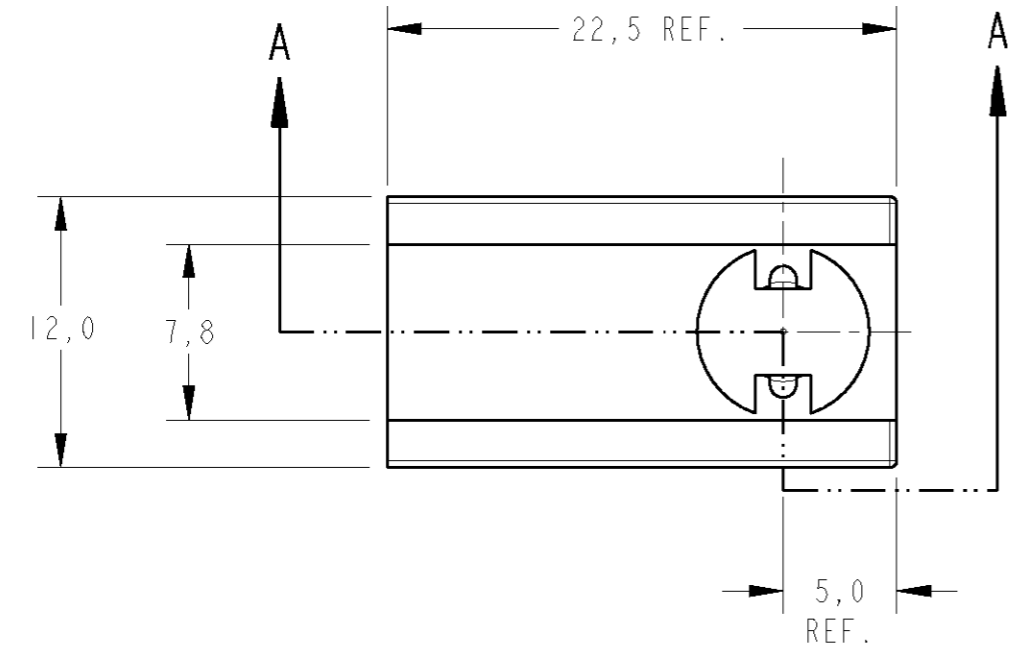


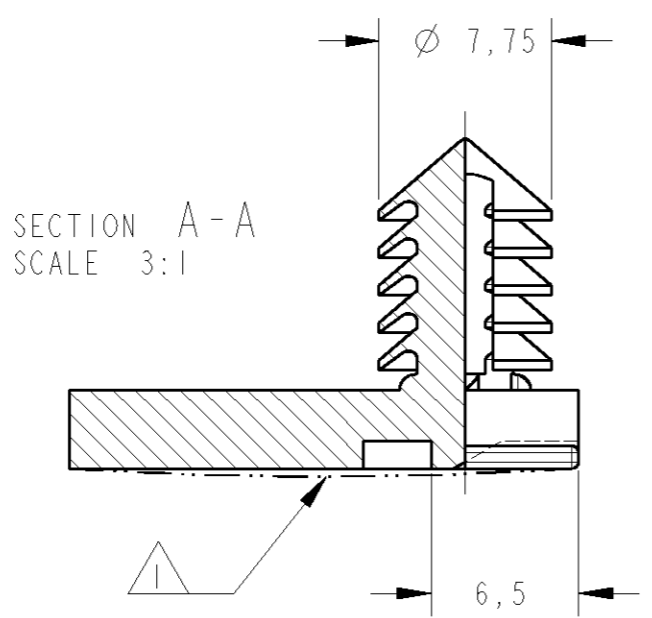
THIS DRAWING IS UNPUBLISHED. RELEASED FOR PUBLICATION
 © COPYRIGHT 19 BY AMP INCORPORATED. ALL RIGHTS RESERVED.

CAD
 DO NOT REVISE EXCEPT BY CAD

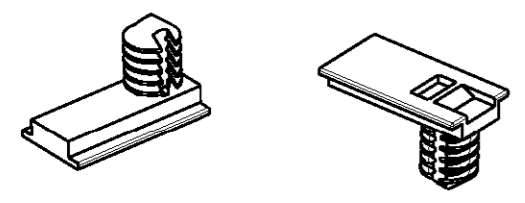
LOC	DIST	REVISIONS			
P	LTR	DESCRIPTION	DATE	DWN	APVD
AP	-	0	RELEASED	09OCT00	AP PLF



GRAVAÇÃO MARKING
LOGOTIPO AMP AMP LOGO
CÓDIGO PAÍS PRODUTOR MANUFACTURER COUNTRY CODE
NOMENCLATURA MATERIAL MATERIAL NOMENCLATURE
NÚMERO COMPONENTE AMP AMP COMPONENT NUMBER
NÚMERO CAVIDADE CAVITY NUMBER
PAÍS PRODUTOR MANUFACTURER COUNTRY
REV+ LETRA REV.DA PEÇA REV. + PART REV.LETTER



- △ - EMPENAMENTO PERMITIDO: 0.4 MÁX. △ - WARPAGE PERMITTED: 0.4 MAX.
- 2 - FURO PADRÃO DE MONTAGEM: 6.5±0.2. 2 - ASSEMBLING STANDARD HOLE: 6.5±0.2.
- 3 - ESPESSURA DA CHAPA: 0.56 A 5.10. 3 - PLATE THICKNESS: 0.56 TO 5.10.
- 4 - SIMILAR AO DESENHO AUTOLATINA DA PEÇA 547971904-C. 4 - SIMILAR TO AUTOLATINA DRAWING PART NUMBER 547971904-C.



THIS DRAWING IS A CONTROLLED DOCUMENT FOR AMP INCORPORATED. IT IS SUBJECT TO CHANGE AND THE CONTROLLING ENGINEERING ORGANIZATION SHOULD BE CONTACTED FOR THE LATEST REVISION.		DWN	A. PERUSSI	09OCT00	AMP AMP do Brasil LTDA. São Paulo, Brasil	
DIMENSIONS: mm		CHK	P. L. FARIA	09OCT00		
TOLERANCES UNLESS OTHERWISE SPECIFIED:		APVD	M. RODRIGUES	09OCT00		
0 PLC ±- 1 PLC ±0,3 2 PLC ±- 3 PLC ±- 4 PLC ±- ANGLES ±1°		PRODUCT SPEC	-			
MATERIAL SEE TABLE		FINISH	SEE TABLE		NAME	CHRISTMAS TREE WITHOUT GASKET
PRETO / BLACK		PA 6.6		0	493912-2	
NATURAL		PA 6.6		0	493912-1	
FINISH		MATERIAL		PART REV	PART NUMBER	
WEIGHT -		SIZE	A3	CAGE CODE	00779	
CUSTOMER DRAWING		DRAWING NO	C=493912		RESTRICTED TO	-
SCALE 4:1		SHEET 1 OF 1		REV 0		