

REVISION RECORD		
REV	DESCRIPTION	DRFT

NOTES

1. MATERIAL:

HOUSING: LCP UL94V-0, COLOR: BLACK.

CONTACT: BRASS, 3u" MIN. GOLD PLATING ON CONTACT AREA  
 100u" MIN. TIN PLATING ON SOLDER TAILS  
 50u" MIN. NICKEL UNDERPLATING OVER ALL

2. CHARACTERISTICS

CONTACT RESISTANCE: 30 mΩ MAX.

INSULATION RESISTANCE: 1000 MΩ MIN.

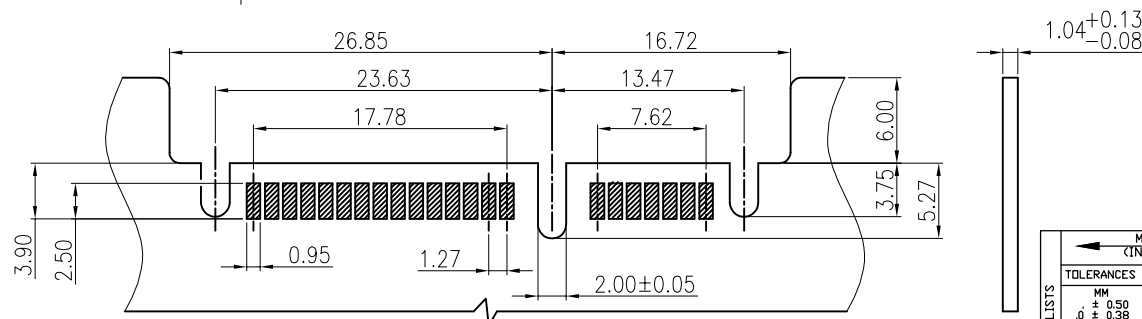
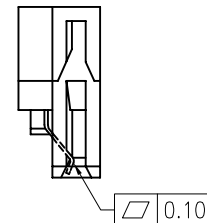
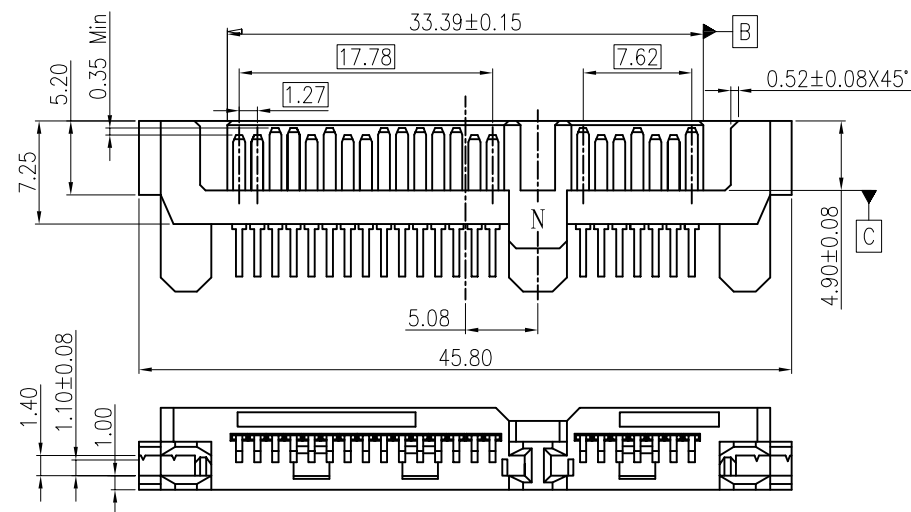
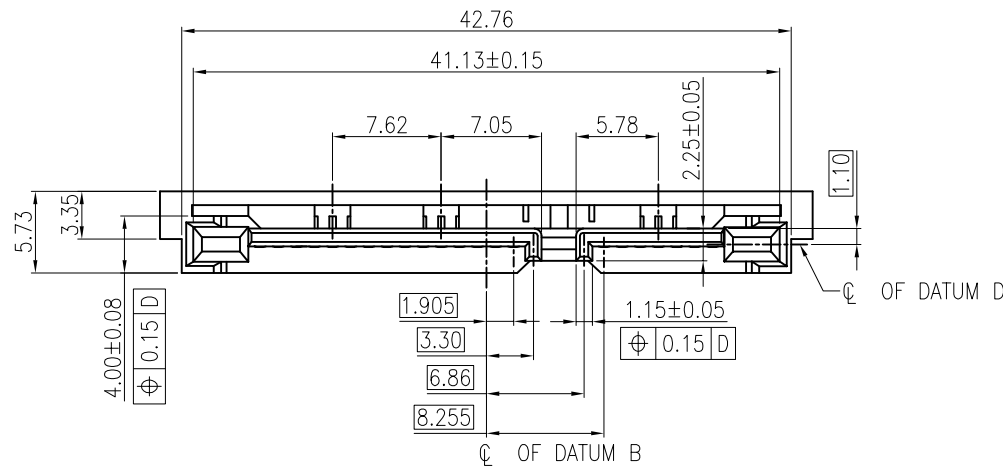
DIELECTRIC WITHSTANDING : AC 500V.

MATING FORCE: 4.59Kgf MAX (45N MAX)

UNMATING FORCE: 1.02Kgf Min (10N Min)

DURABILITY TEST: 500 Cycles MIN.

TEMPERATURE RANGE: -55°C ~ +125°C.



P.C.B. LAYOUT  
 PCB TOLERANCE: ±0.05

DETACHED LISTS	MM (INCH)	DFTD Roy	DATE 11/20/2012		<b>RoHS Compliant</b>
	TOLERANCES EXCEPT AS NOTED	CHKD	DATE		
	MM	APPVL	DATE	TITLE SATA 7+15P PLUG ( SMT ) TWO IN ONE STRADDLE	
	.5 ± 0.50 .00 ± 0.25 .000 ± 0.13	MATERIAL :	QTY :		
	ANGLES : #3°	FINISH :	SCALE : 1:1	DRAWING NO. E9122-005-01	SIZE A3
THIRD ANGLE PROJECTION	DO NOT SCALE DRAWING		SHEET 1	OF 1	