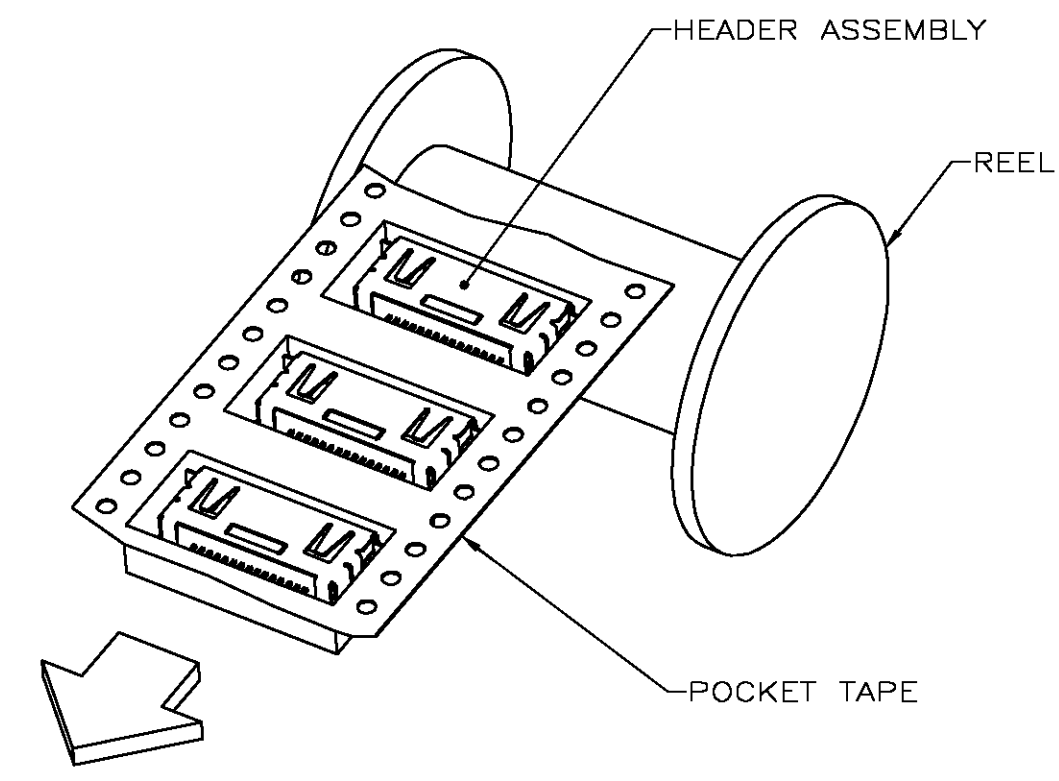
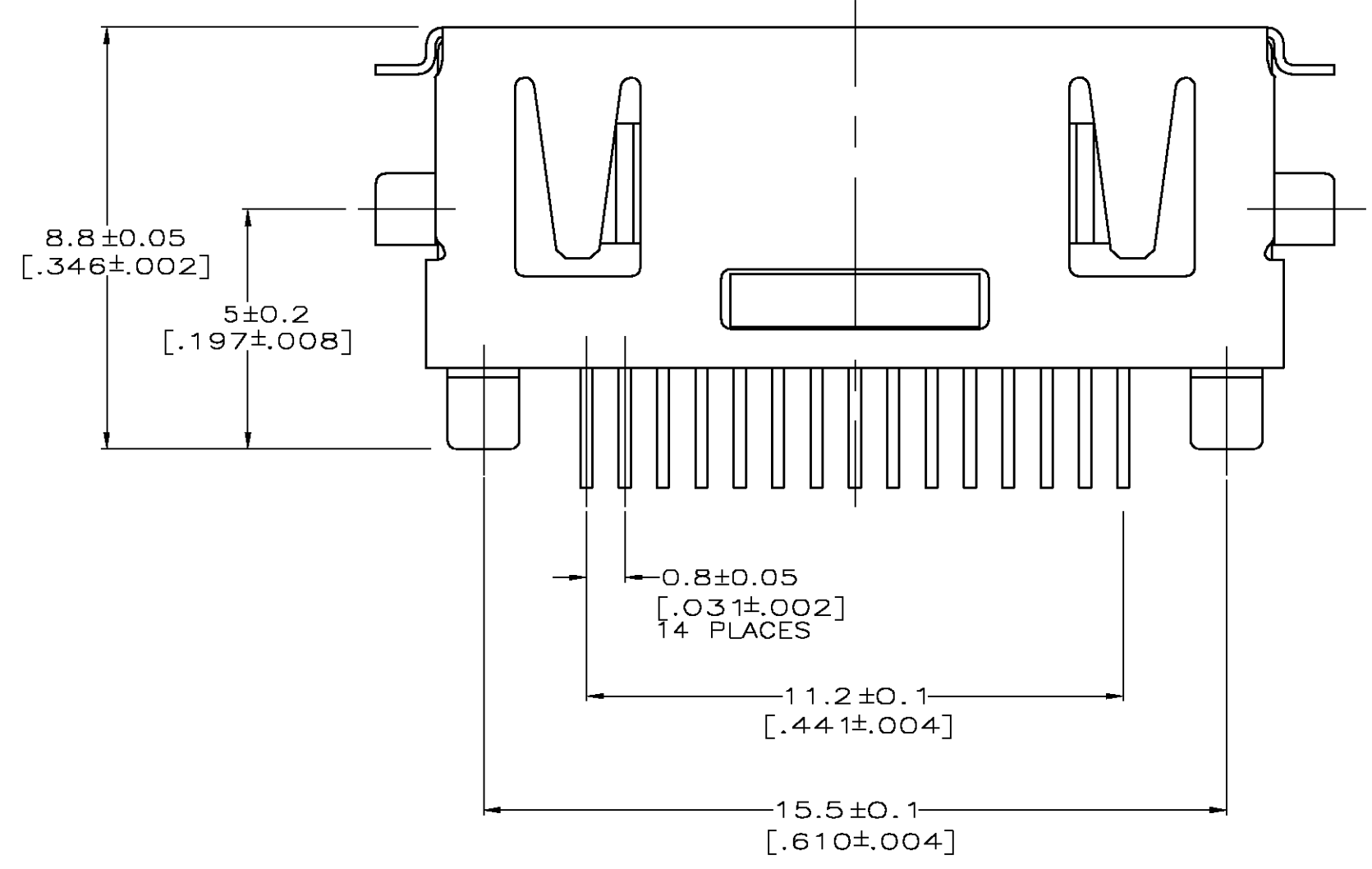
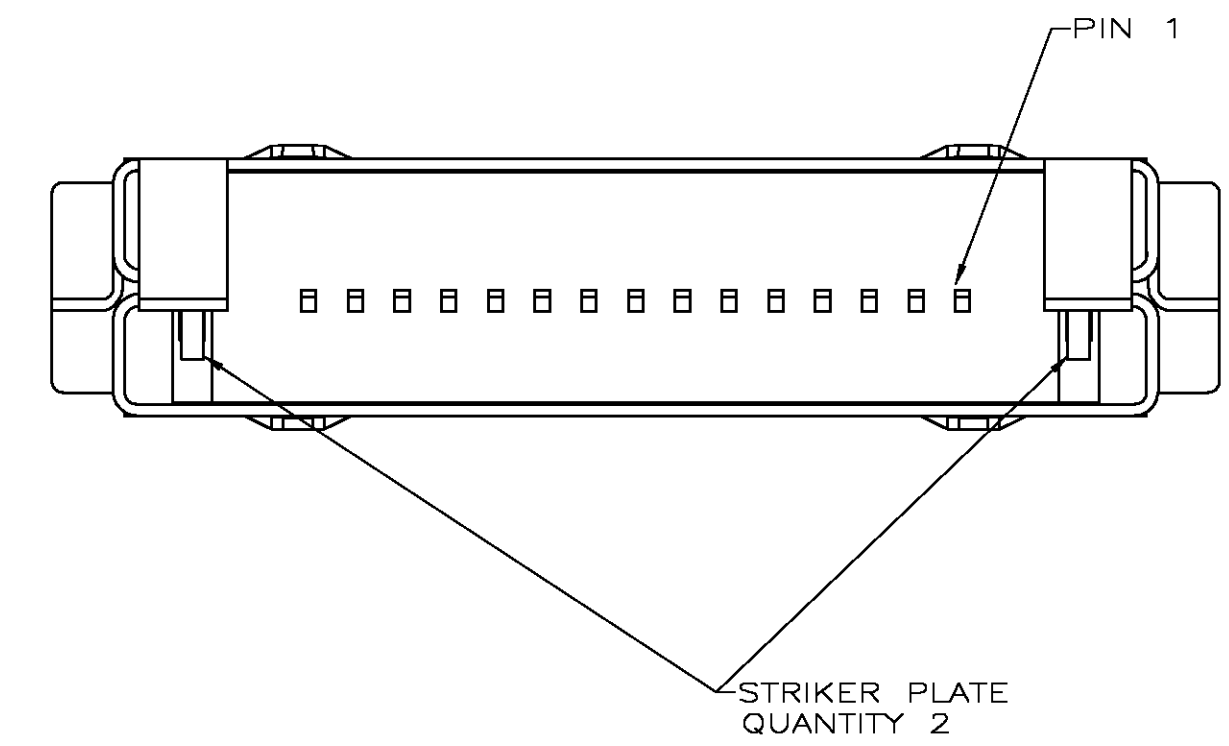
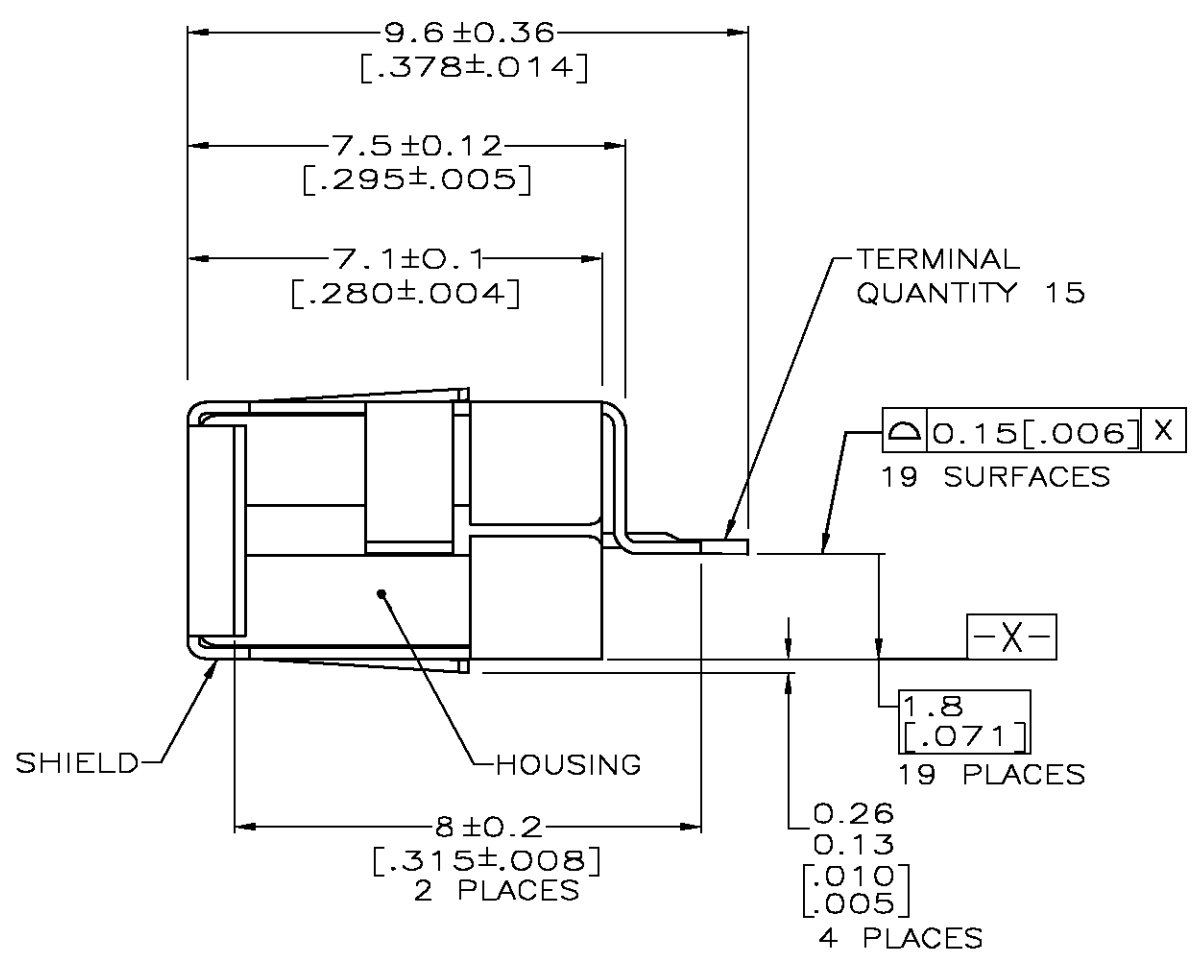
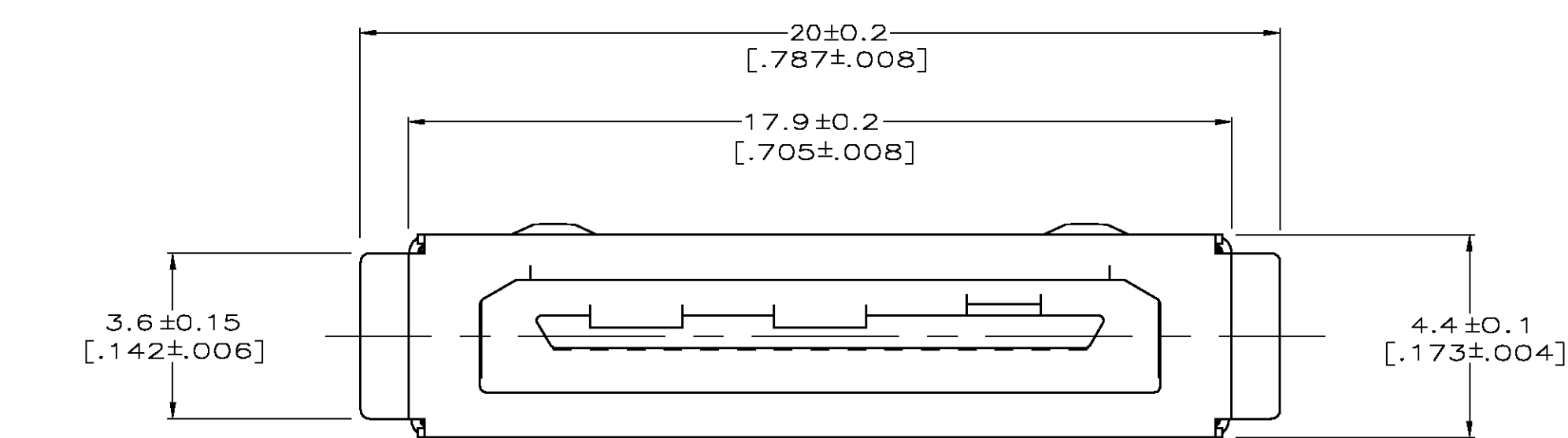


⚠ MATERIAL: HOUSING - NYLON MOLDING COMPOUND, 94V-0, GLASS FILLED, BLACK.
 TERMINALS - 0.25[.010] THICK BRASS PLATED WITH 0.254 MICRONS[.000010] MINIMUM THICK GOLD OVER 1.016 MICRONS [.000040] MINIMUM THICK PALADIUM NICKEL OVER 0.05 MICRONS[.000002] MINIMUM THICK GOLD IN CONTACT AREAS AND 3.8 MICRONS[.000150] MINIMUM THICK TIN ON SOLDER TINES OVER 2.54 MICRONS[.000100] MINIMUM THICK NICKEL UNDERPLATE.
 SHIELD - STAINLESS STEEL, TIN PLATED
 STRIKER PLATE - STAINLESS STEEL.

2. PACKAGED IN TAPE AND REEL.



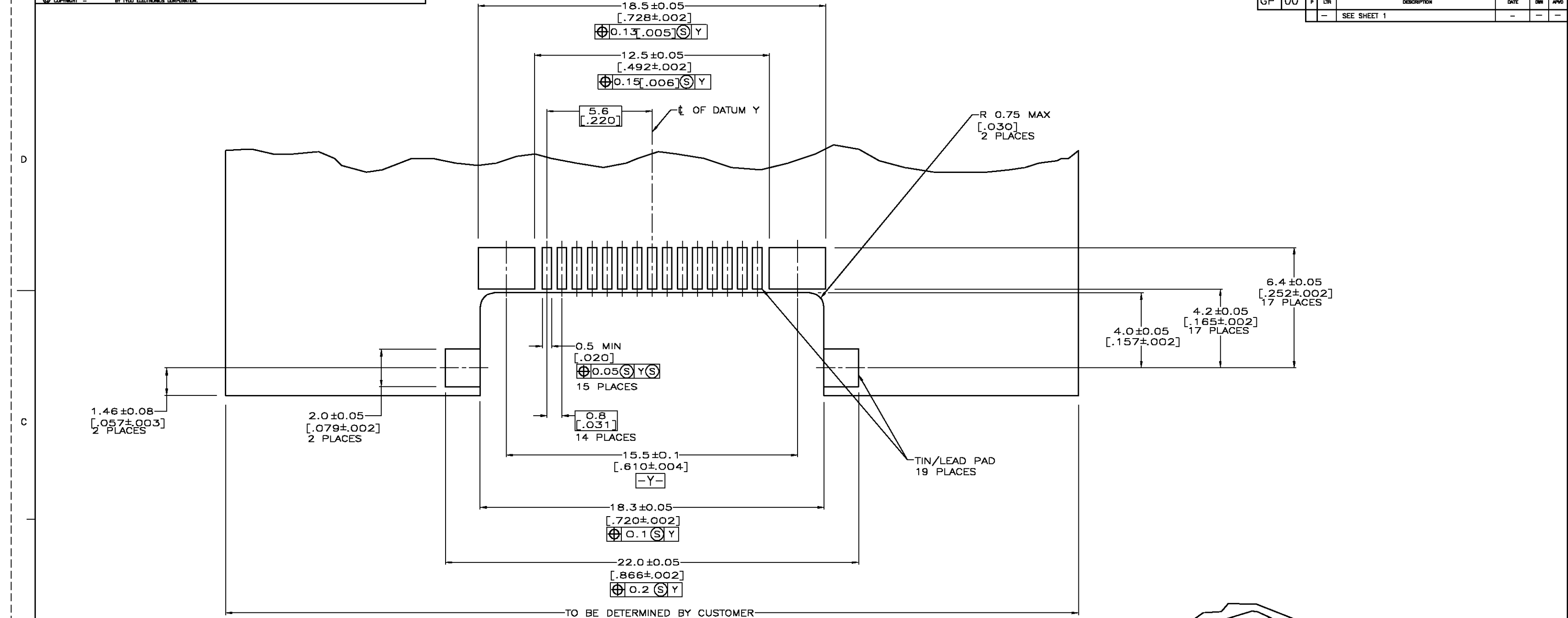
KEY 5-15	5-5558556-5
KEY 4-15	5-5558556-4
KEY 3-15	5-5558556-3
KEY 2-15	5-5558556-2
KEY 1-15	5-5558556-1
KEYING OPTION	PART NUMBER

THIS DRAWING IS A CONTROLLED DOCUMENT.

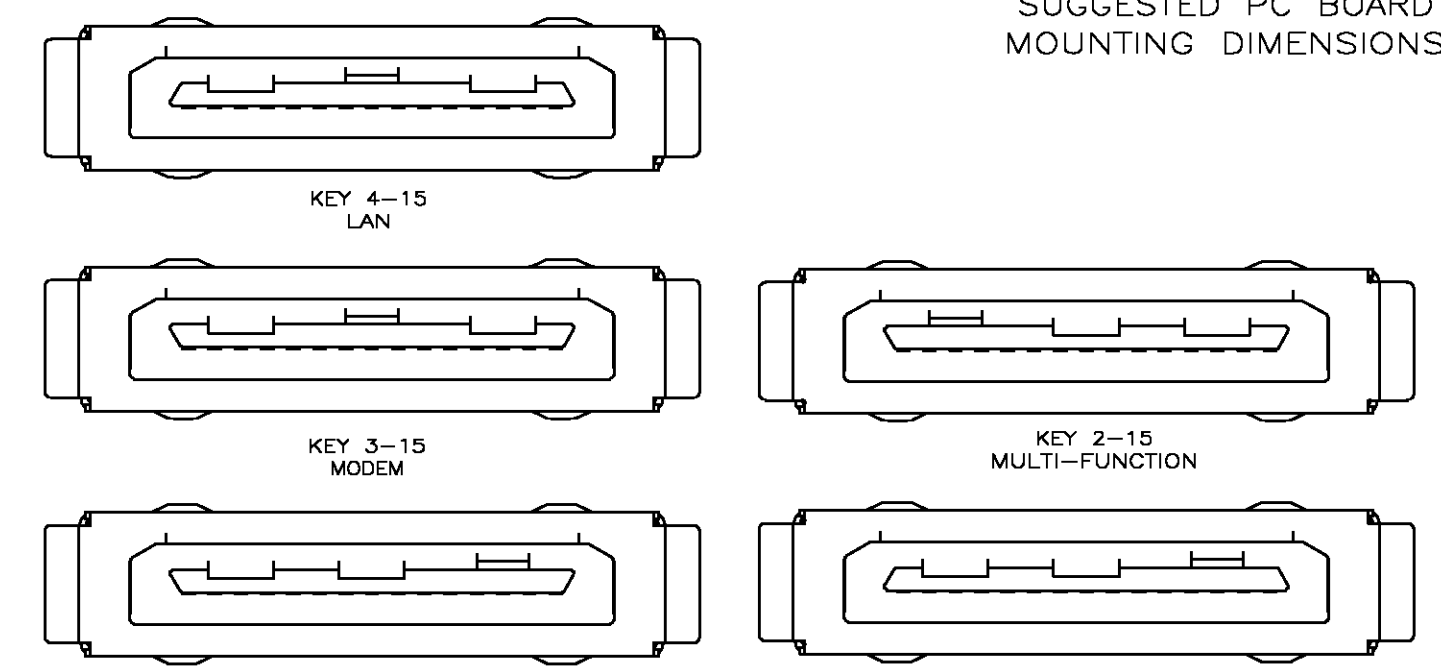
OWN: B. McMASTER	23JUN05	Tyco Electronics Corporation Harrisburg, Pa 17105-3608
CHK: D. GORENC	23JUN05	
APVD: M. WALMSLEY	23JUN05	Tyco Electronics Corporation Harrisburg, Pa 17105-3608
PRODUCT SPEC: -	APPLICATION SPEC: -	
SIZE: A1	CAGE CODE: 00779	DRAWING NO: 5558556
WEIGHT: -	CUSTOMER DRAWING	

SCALE: 10:1 SHEET 1 OF 2 REV 0

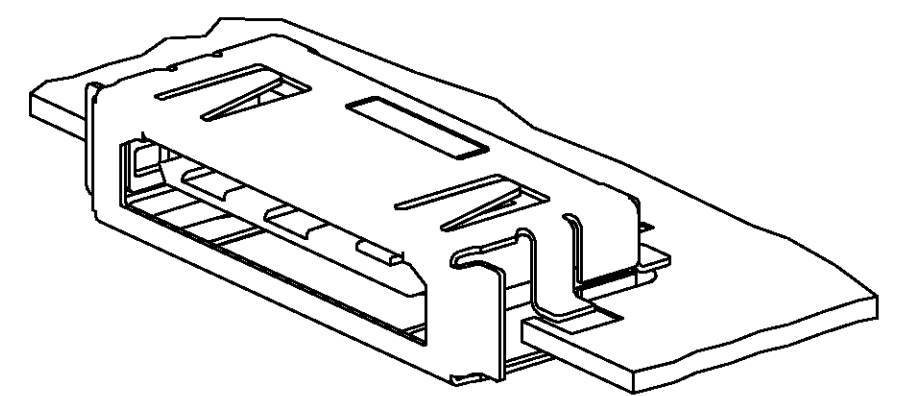
LOC	REV	DESCRIPTION	DATE	BY	APP
GP	00	SEE SHEET 1			



SUGGESTED PC BOARD MOUNTING DIMENSIONS



KEYING OPTIONS SCALE 8:1



THIS DRAWING IS A CONTROLLED DOCUMENT.		DATE	REV	BY	APP	TYCO ELECTRONICS CORPORATION Harrisburg, Pa 17105-3808
DRAWN BY: M. WILMSLEY		DATE: 00779	REV: 0	BY: M. WILMSLEY	APP: M. WILMSLEY	TYCO ELECTRONICS CORPORATION
MATERIAL: -		DATE CODE: A1	DRAWING NO: 00779	SCALE: 10:1	SHEET: 2 OF 2	REV: 0
FINISH: -		CUSTOMER DRAWING		RESTRICTED TO: -		