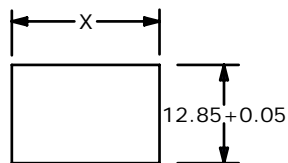


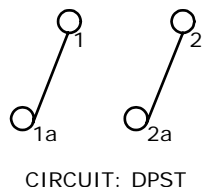
▲ NEON BULB

PARAMETERS	SYMBOL	MAX.	UNITS
LAMP VOLTAGE (AC)	V	125	V
STARTUP VOLTAGE	V _s	95	V
CURRENT	I	0.8	mA
SERIES RESISTANCE (125V)	R	120	OMHS



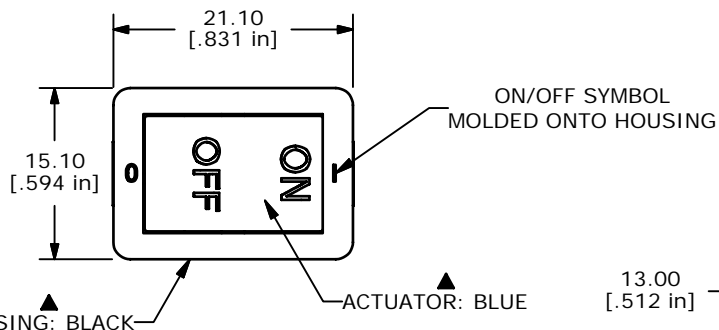
RECOMMENDED PANEL MOUNTING

PANEL THICKNESS	X
0.75-1.25	19.2-19.3
1.25-2.00	19.3-19.4
2.00-3.00	19.5-19.6

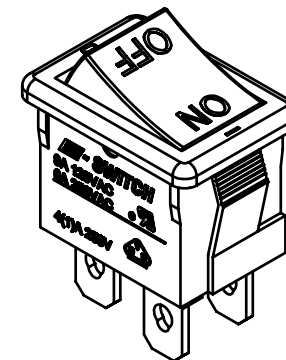
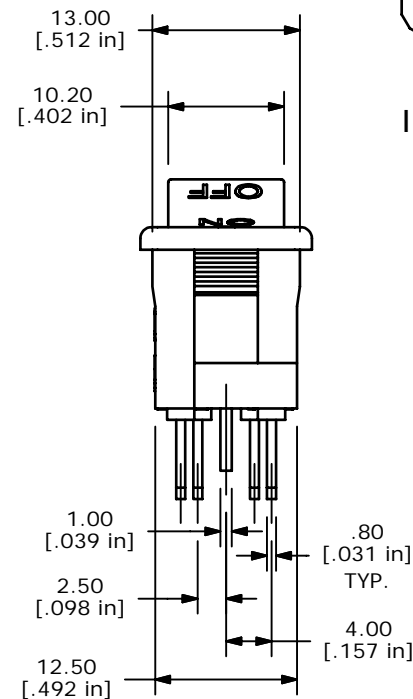
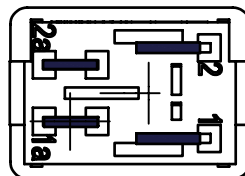
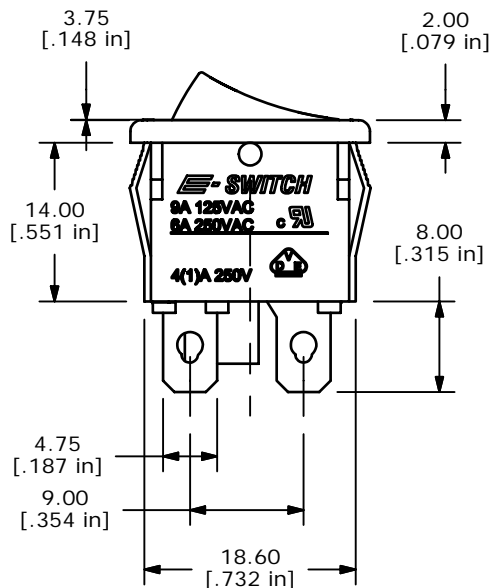


NOTES:

1. ALL DIMENSIONS IN MM [INCH]
2. GENERAL TOLERANCE: X.X ± 0.4
X.XX ± 0.25
3. RATING:
6A @ 250VAC; 9A @ 125VAC (UL, CSA, VDE)
- ▲ 4. LAMP VOLTAGE: 250VAC (NEON BULB)
5. MATERIAL:
CONTACT SURFACE: COIN SILVER, SILVER PLATE
TERMINAL: COPPER ALLOY W/SILVER PLATE.
6. CONTACT RESISTANCE: 20 MILLI-OHMS TYP. INITIAL
7. INSULATION RESISTANCE: 1000 MEGA-OHMS
8. DIELECTRIC STRENGTH:
>1500V RMS min. @SEA LEVEL
9. MECHANICAL LIFE: 30,000 CYCLES.
10. ELECTRICAL LIFE: 10,000 CYCLES
11. ▲ DENOTES CRITICAL PARAMETER.
12. 2002/95/EC (ROHS) COMPLIANT



HOUSING: BLACK



ISOMETRIC



TITLE R1973BBLKBILIF2

A	16989	RELEASED FOR PRODUCTION	2/13/2007	TN
REV	PCR NO	DESCRIPTION	DATE	BY

SCALE	DATE	DR	DWG	REV
1.5:1	2/12/2007	TN	M400097	A

THE INFORMATION CONTAINED IN THIS DOCUMENT IS PROPRIETARY TO E-SWITCH AND IS NOT TO BE COPIED OR TRANSFERRED